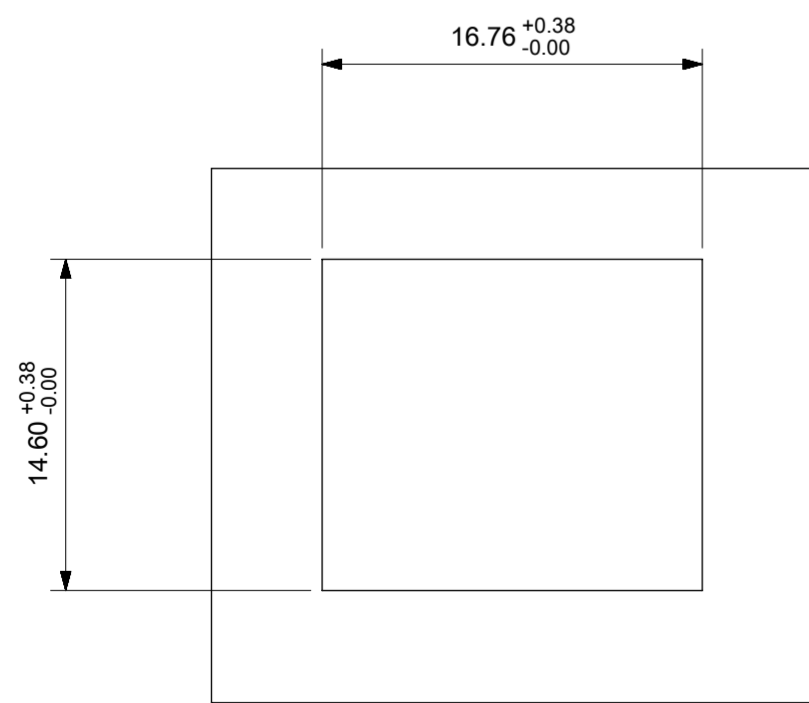
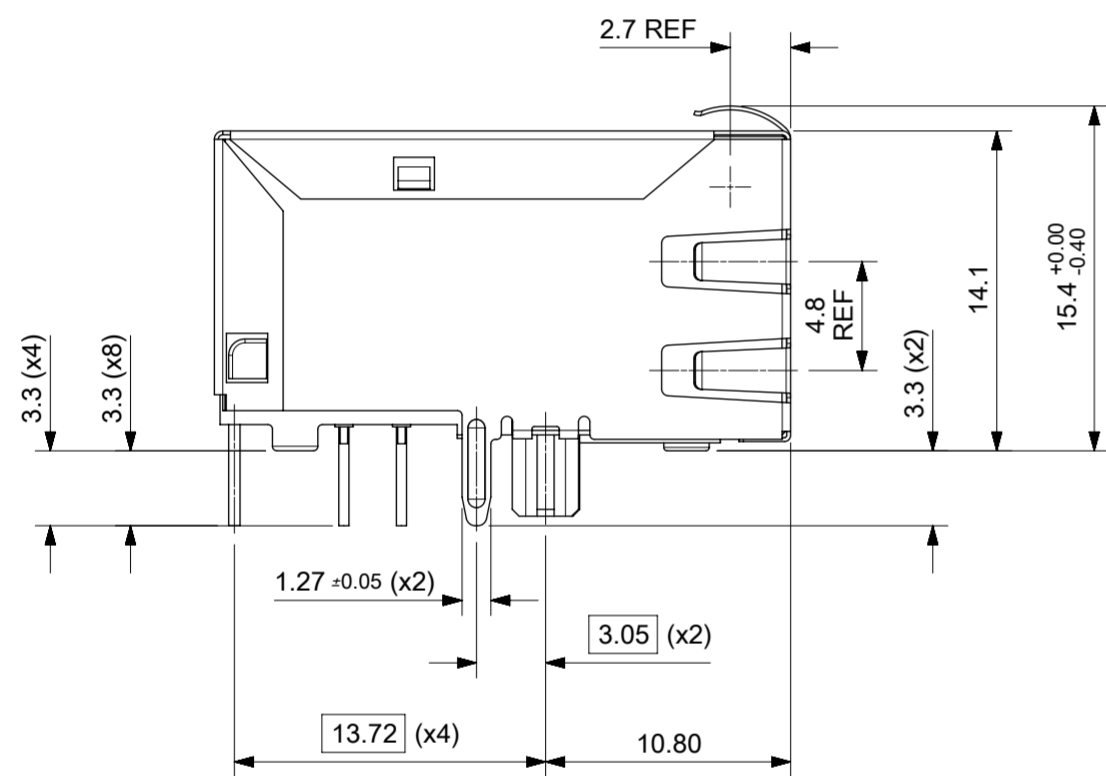
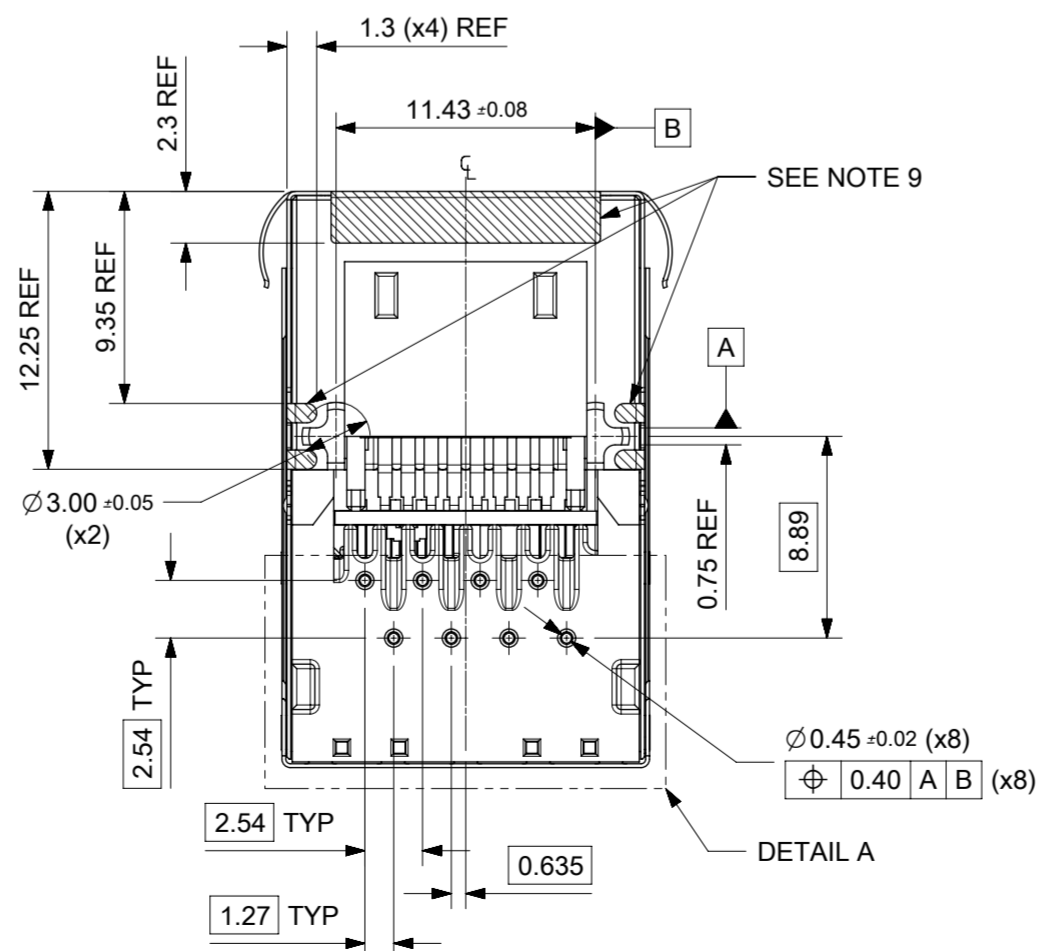
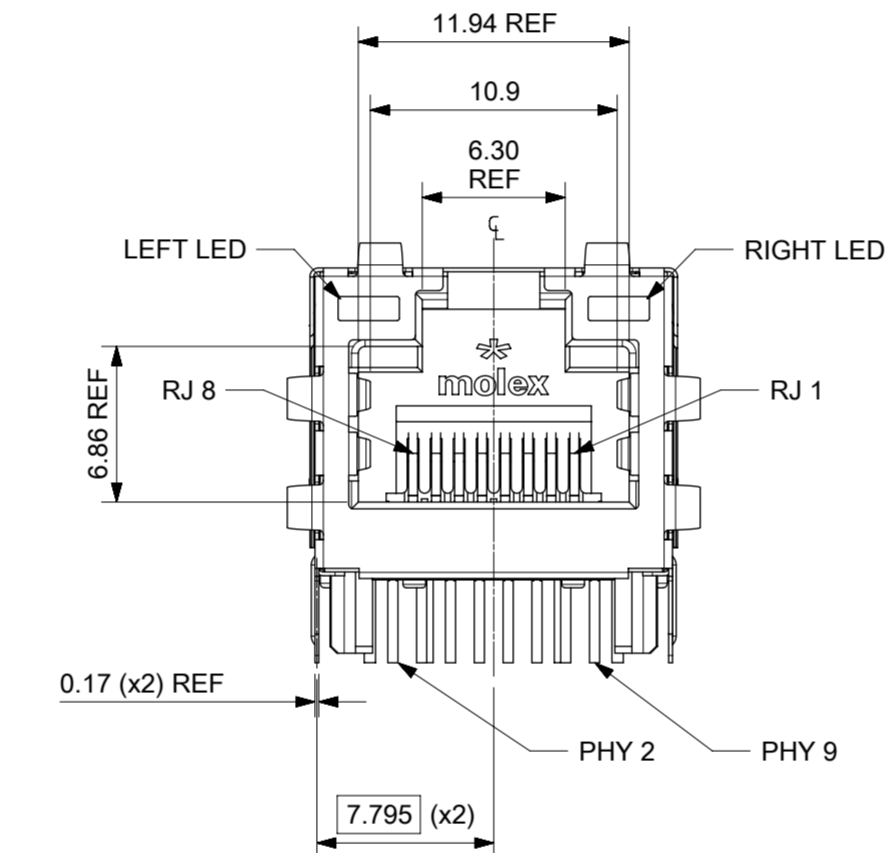
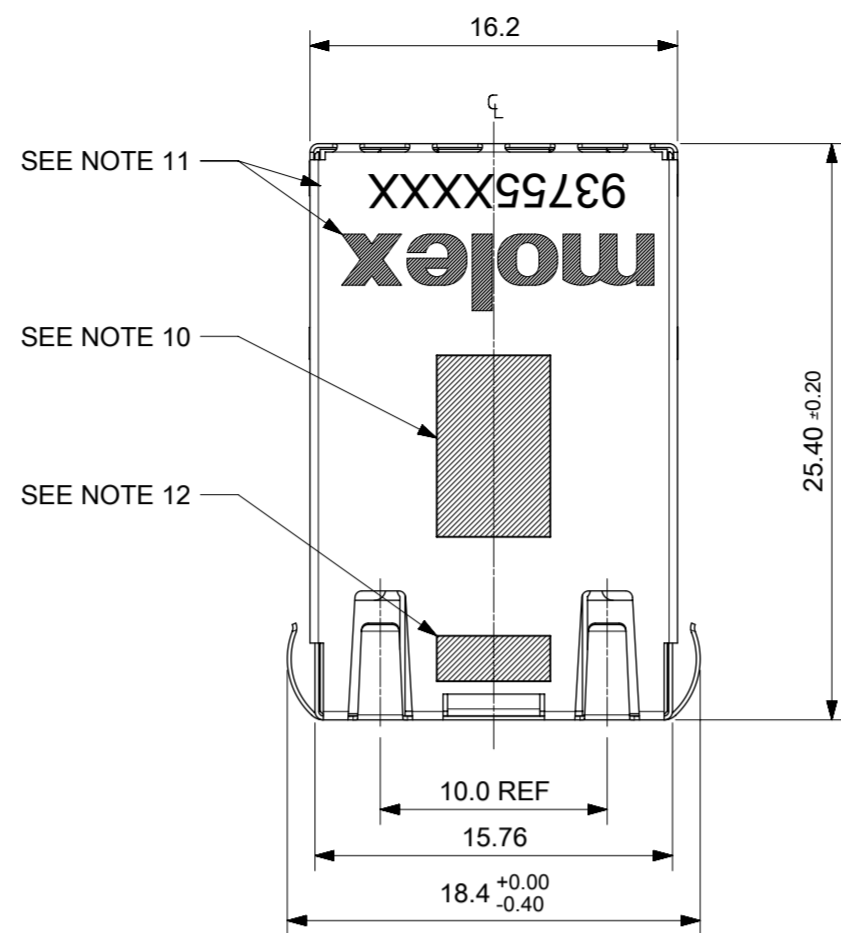


DETAIL A
SCALE 5:1

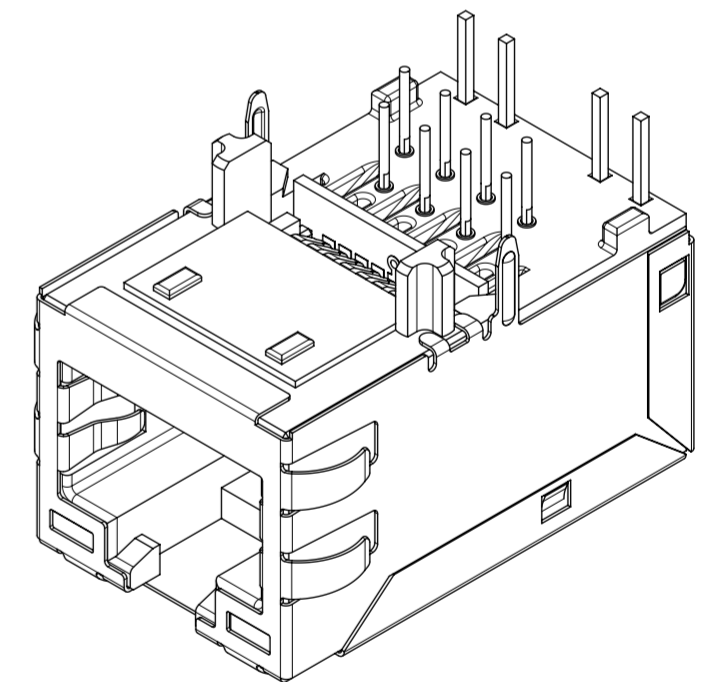
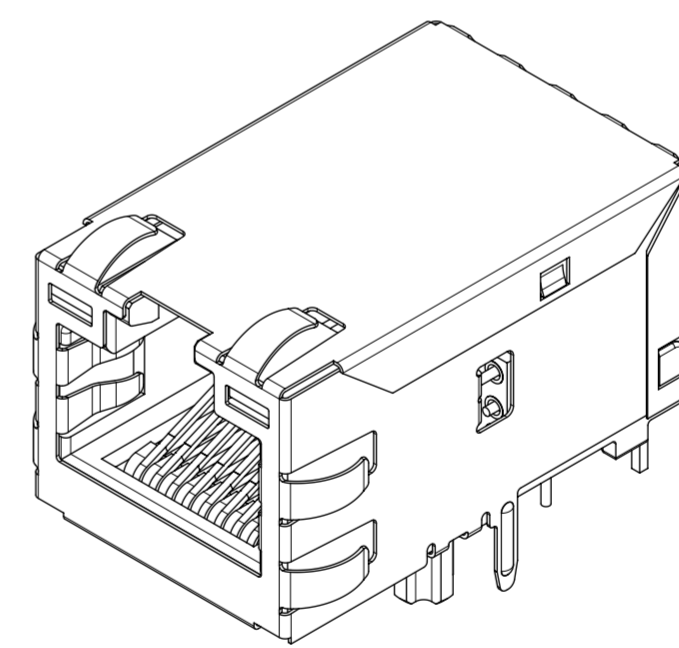


SUGGESTED PANEL CUT OUT

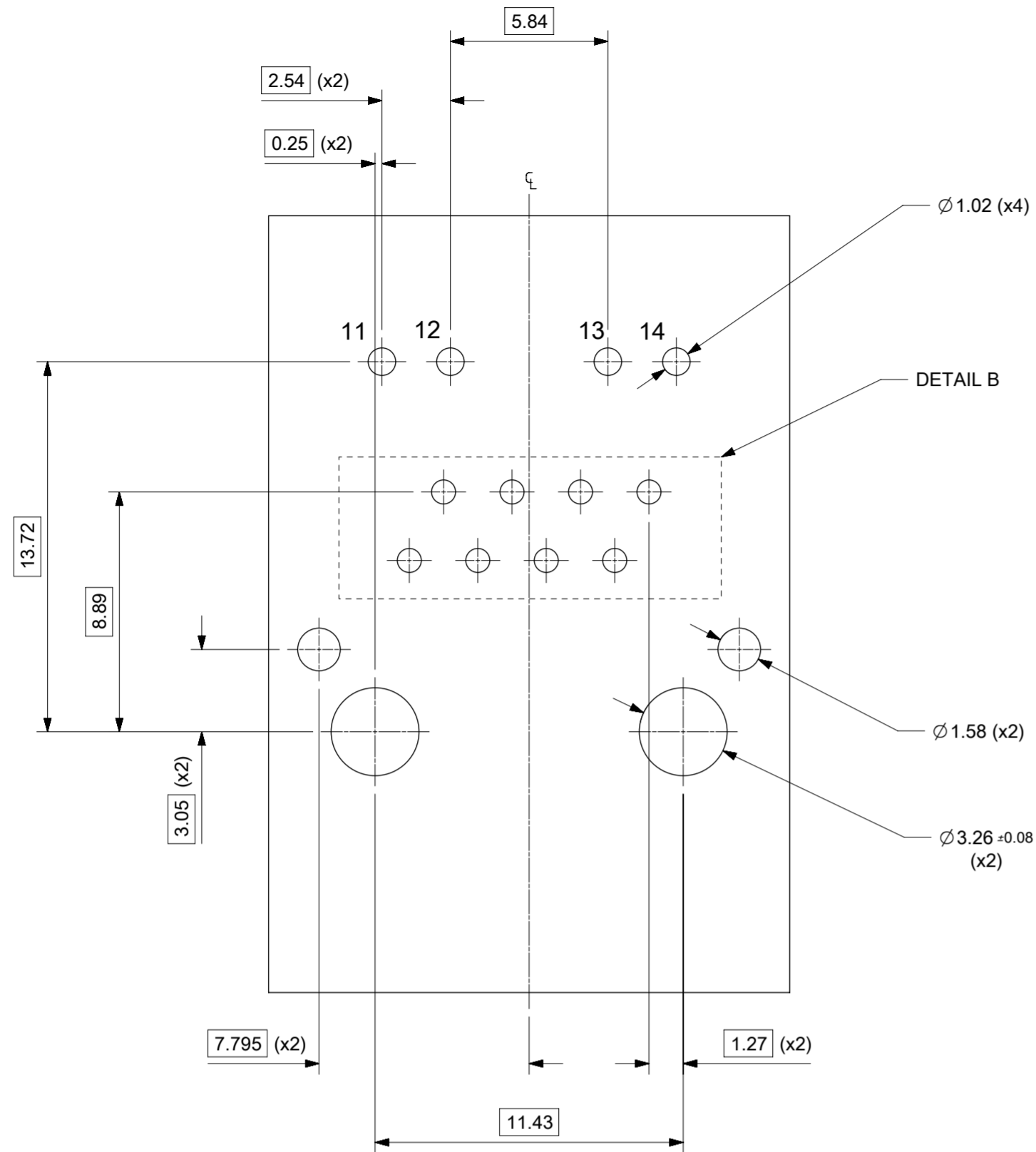


NOTES:

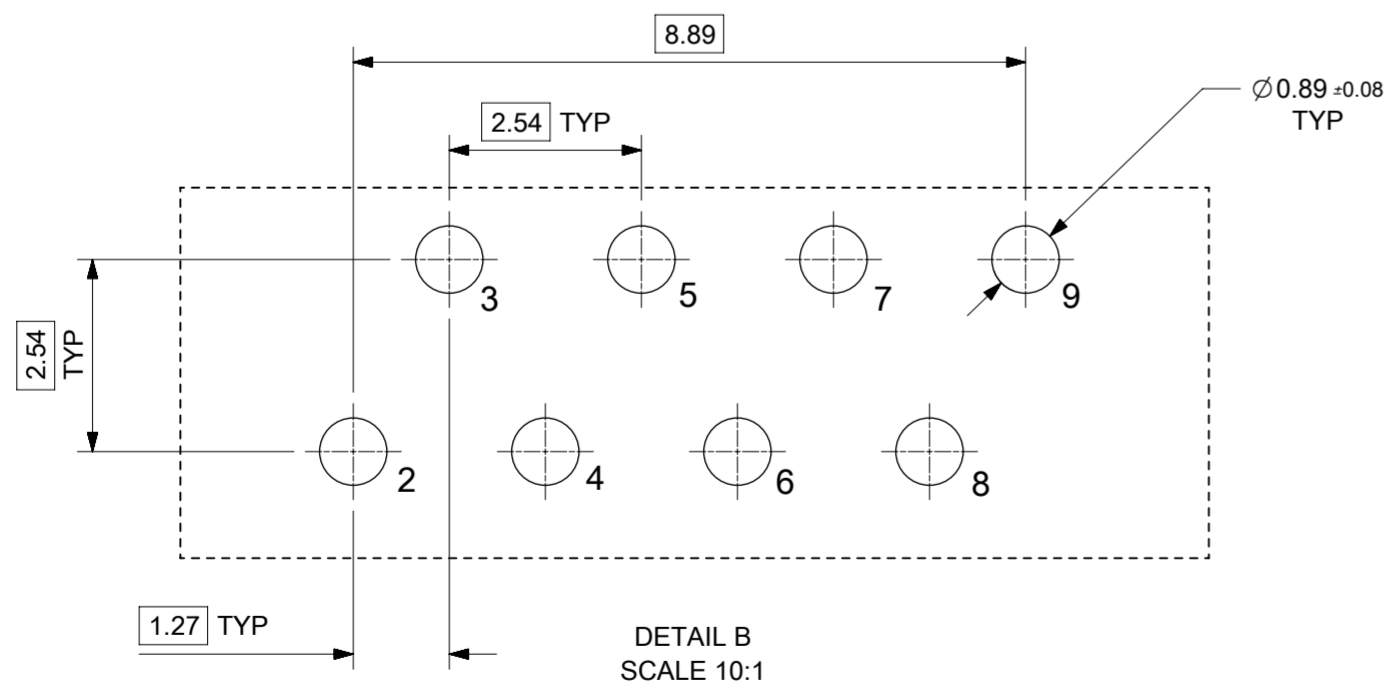
- SHIELD MATERIAL: 0.17 mm THICK BRASS PRE-PLATED WITH NICKEL.
SOLDER TABS POST DIPPED WITH MIN. 1.27 μm TIN
- HOUSING MATERIAL: LCP, BLACK, UL 94V-0.
- TERMINALS MATERIAL: PHOSPHOR BRONZE.
RJ45 CONTACT PLATING: BASE NICKEL, GOLD FLASH OVER PALLADIUM NICKEL.
PHY SOLDER TAILS: COPPER ALLOY.
- MATING INTERFACE ACCORDING TO IEC 60603-7 & TIA-1096-A.
- PRODUCT SPECIFICATION: 934620001 PSP.
- PACKAGING SPECIFICATION: 934620002 PSK TAPE AND REEL.
- STAND OFF TO SYSTEM BOARD 0.30 mm MIN.
- RECOMMENDED PCB THICKNESS: 1.57 mm REF.
- SHIELD: AVOID ROUTING TRACES OR PLACING ANY VIAS BELOW THESE AREAS.
- AREA FOR PICK AND PLACE: 5.0 mm x 8.0 mm
- INSCRIPTION MARKED BY LASER:
1st : MOLEX
2nd : P/N (SEE BOM)
- INSCRIPTION MARKED BY LASER:
DATE CODE(DAY/WEEK/YEAR)
- MATERIAL COMPLIANT TO RoHS DIRECTIVE 2002/95/EC



THIS DRAWING CONTAINS INFORMATION THAT IS PROPRIETARY TO MOLEX ELECTRONIC TECHNOLOGIES, LLC AND SHOULD NOT BE USED WITHOUT WRITTEN PERMISSION												
UPDATED MAGBOX + 2KV EC NO: 117810 DRWN: SBRENNAN CHKD: DBYRNES APPR: STGRIFFIN	GENERAL TOLERANCES (UNLESS SPECIFIED)			DIMENSION UNITS	SCALE	 1" MXMAG 4 CORE FE IND						
	ANGULAR TOL ± 2.0 °			MM	3:1							
	4 PLACES ±	DBYRNES		DATE								2015/11/20
	3 PLACES ±	DBYRNES		DATE								2016/09/19
	2 PLACES ± 0.1	STGRIFFIN		DATE								2016/09/23
1 PLACE ± 0.2	STGRIFFIN		DATE		2016/09/23	PRODUCT CUSTOMER DRAWING						
0 PLACES ±	STGRIFFIN		DATE		2016/09/23	SERIES	MATERIAL NUMBER	CUSTOMER				
DRAFT WHERE APPLICABLE MUST REMAIN WITHIN DIMENSIONS		A2		THIRD ANGLE PROJECTION		93755	SEE TABLE ON SHEET 2	GENERAL MARKET				
B1	DRAWING SIZE		THIRD ANGLE PROJECTION		DOCUMENT NUMBER		DOC TYPE		DOC PART	SHEET NUMBER		
		A2		THIRD ANGLE PROJECTION		937550002		PSD		000	1 OF 3	



SUGGESTED BOARD LAYOUT
FAST ETHERNET
VIEW FROM COMPONENT SIDE
ALL DIMS ARE REFERENCE



DETAIL B
SCALE 10:1
PIN CONFIGURATION
FOR FAST ETHERNET

PART NUMBER	LEFT LED	RIGHT LED
937555226	GREEN	YELLOW
937555225	GREEN	GREEN/YELLOW

THIS DRAWING CONTAINS INFORMATION THAT IS PROPRIETARY TO MOLEX ELECTRONIC TECHNOLOGIES, LLC AND SHOULD NOT BE USED WITHOUT WRITTEN PERMISSION												
UPDATED MAGBOX + 2KV EC NO: 117810 DRWN: SBRENNAN CHKD: DBYRNES APPR: STGRIFFIN	2017/06/06		2017/06/12		2017/06/12		GENERAL TOLERANCES (UNLESS SPECIFIED)		DIMENSION UNITS		SCALE	
	4 PLACES		±		3 PLACES		±		MM		5:1	
	3 PLACES		±		2 PLACES		± 0.1		DRWN BY		DATE	
	2 PLACES		±		1 PLACE		± 0.2		DBYRNES		2015/11/20	
	1 PLACE		±		0 PLACES		±		CHK'D BY		DATE	
	0 PLACES		±		ANGULAR TOL ± 2.0 °				DBYRNES		2016/09/19	
DRAFT WHERE APPLICABLE MUST REMAIN WITHIN DIMENSIONS		A2		DRAWING SIZE		THIRD ANGLE PROJECTION		APPR BY		DATE		
B1		REV		STGRIFFIN		2016/09/23		PRODUCT CUSTOMER DRAWING				
RELEASE STATUS		P1		RELEASE DATE		12.06.2017 14:58:05		SERIES		MATERIAL NUMBER		
13		12		11		10		93755		SEE TABLE ON SHEET 2		
								CUSTOMER		GENERAL MARKET		
								DOCUMENT NUMBER		DOC TYPE		
								937550002		PSD		
								DOC PART		SHEET NUMBER		
								000		2 OF 3		

molex

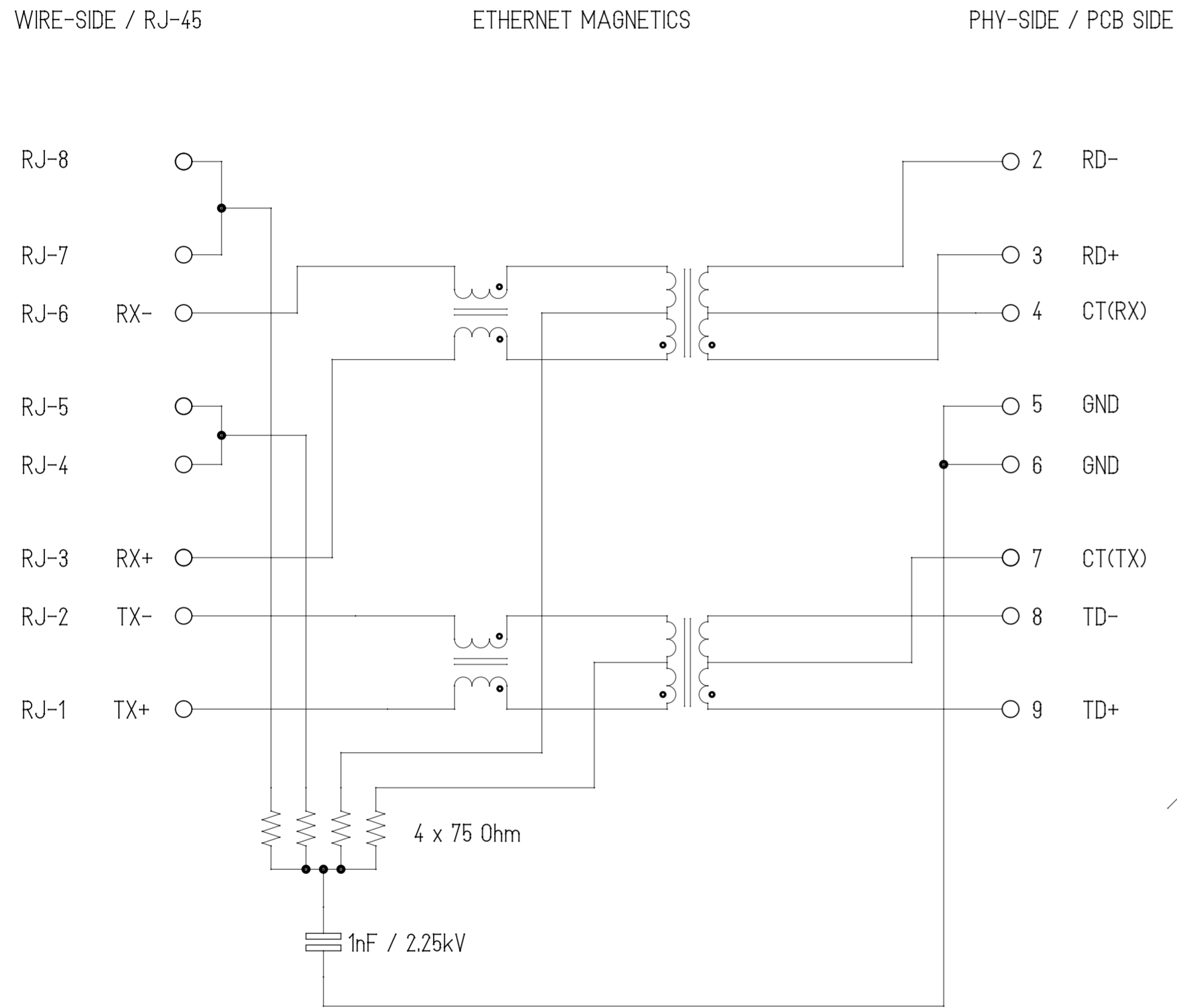
1" MXMAG 4 CORE FE IND

PRODUCT CUSTOMER DRAWING

SERIES: 93755 MATERIAL NUMBER: SEE TABLE ON SHEET 2 CUSTOMER: GENERAL MARKET

DOCUMENT NUMBER: 937550002 DOC TYPE: PSD DOC PART: 000 SHEET NUMBER: 2 OF 3

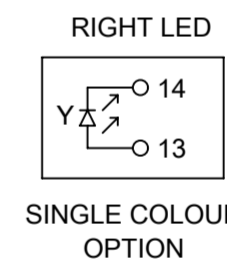
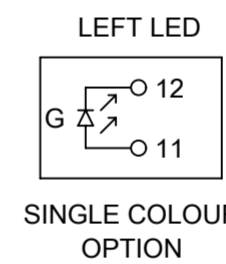
RJ-45 CONTACTS



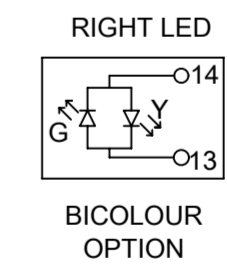
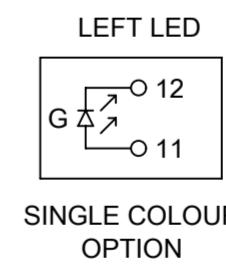
Description	Value	
OCL @100 kHz, 0.1 V, 8 mA DC bias (-40°C to +85°C)	350 μH min.	
OCL @100 kHz, 0.1 V, 8 mA DC bias (25°C)		
Turns ratio	1CT:1CT	
Transmission characteristics @ 25°C, all four pairs		
Insertion Loss		
Frequency (MHz)	Limits (dB max.)	Typical Values (dB max.)
1.0-9.9 MHz	0.4+0.1*log(F)	0.5 @ 10 MHz
10-49.9 MHz	0.5+0.3*log(F/10)	0.7 @ 50 MHz
50-79.9 MHz	1+1.4*log(F/80)	1.0 @ 80 MHz
80-100 MHz	1.3+3*log(F/100)	1.3 @ 100 MHz
Return Loss		
Frequency (MHz)	Limits (dB min.)	Typical Values (dB min.)
1.0-39.9 MHz	18	18 @ 40 MHz
40-100 MHz	12-20*log(F/80)	10 @ 100 MHz
CMR		
Frequency (MHz)	Limits (dB min.)	Typical Values (dB min.)
1.0-100 MHz	30	30 @ 100 MHz
Next		
Frequency (MHz)	Limits (dB min.)	Typical Values (dB min.)
1.0-39.9 MHz	35	35 @ 40 MHz
40-100 MHz	33-20*log(F/50)	27 @ 100 MHz
Isolation PHY to wire side	2.25 kVDC / 60 s	

ETHERNET TERMINALS

937555226



937555225

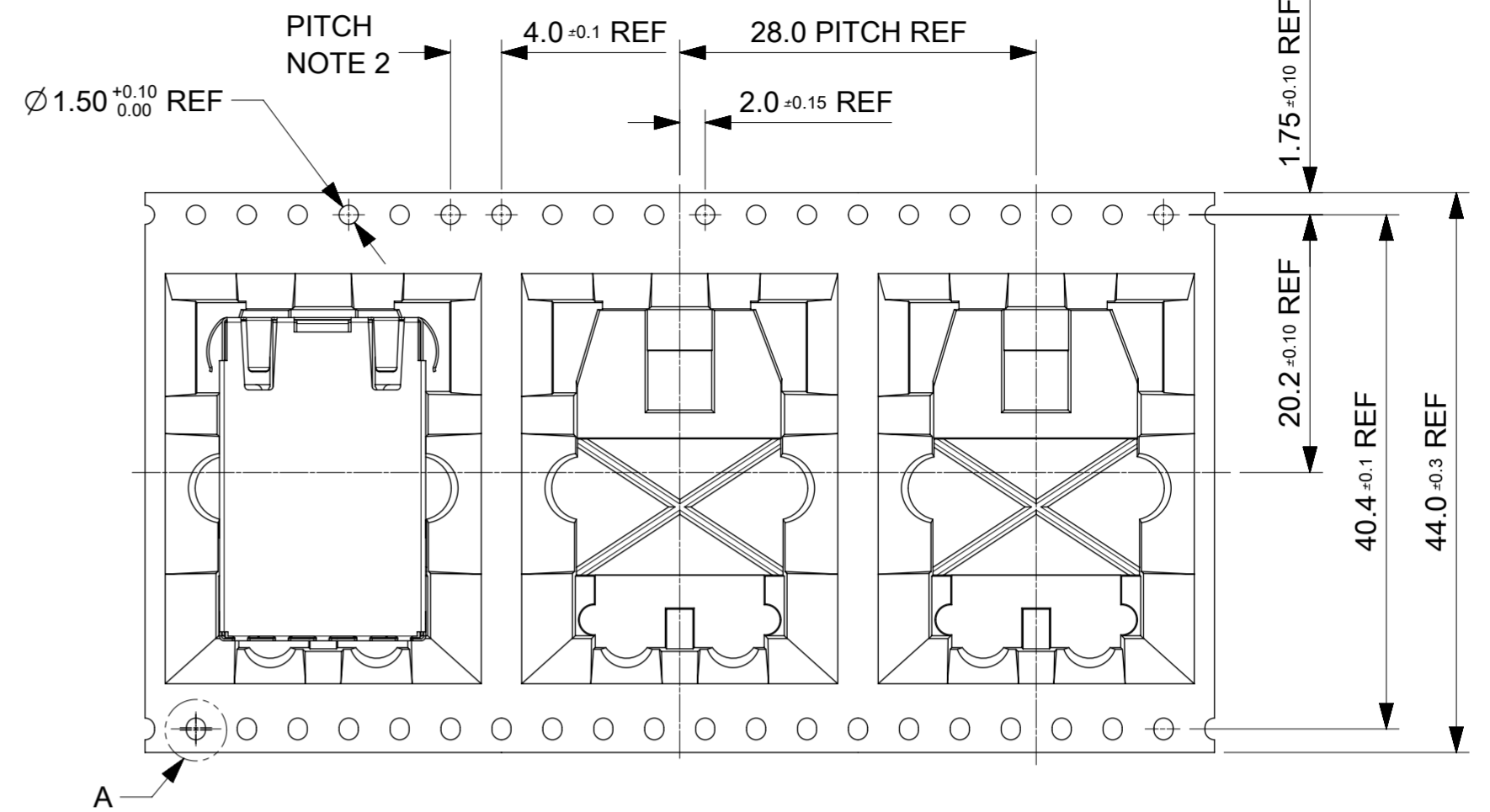
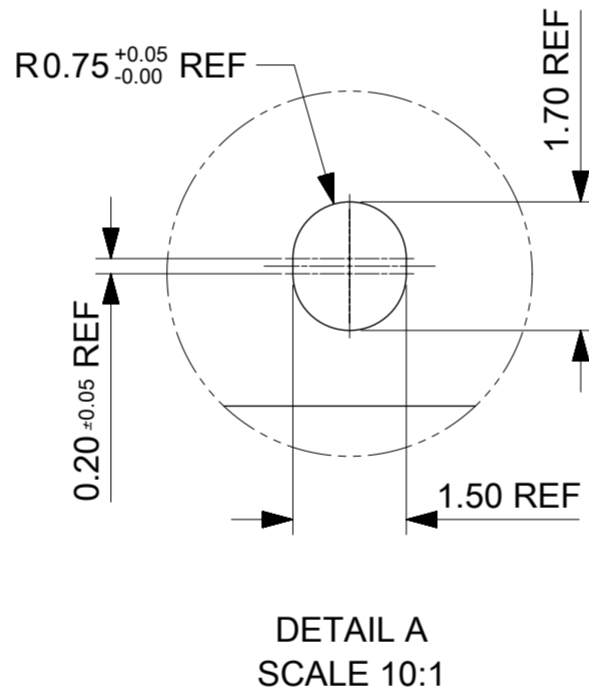
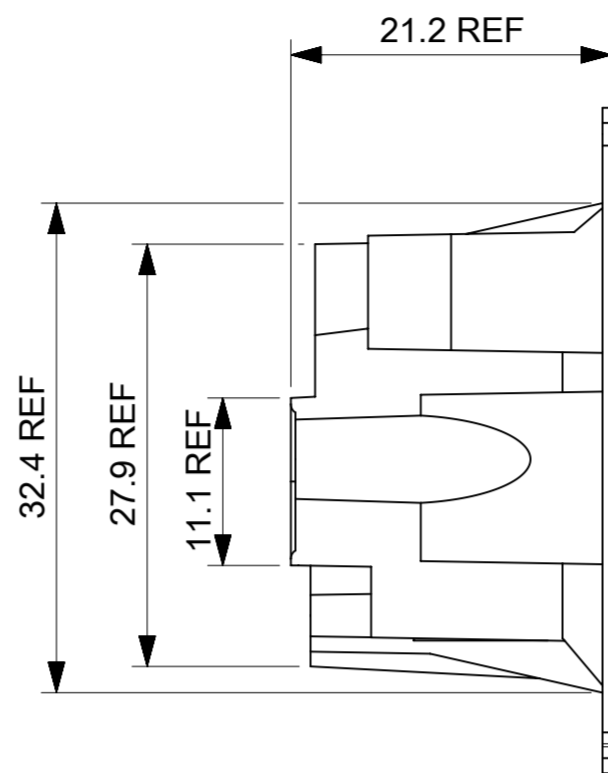
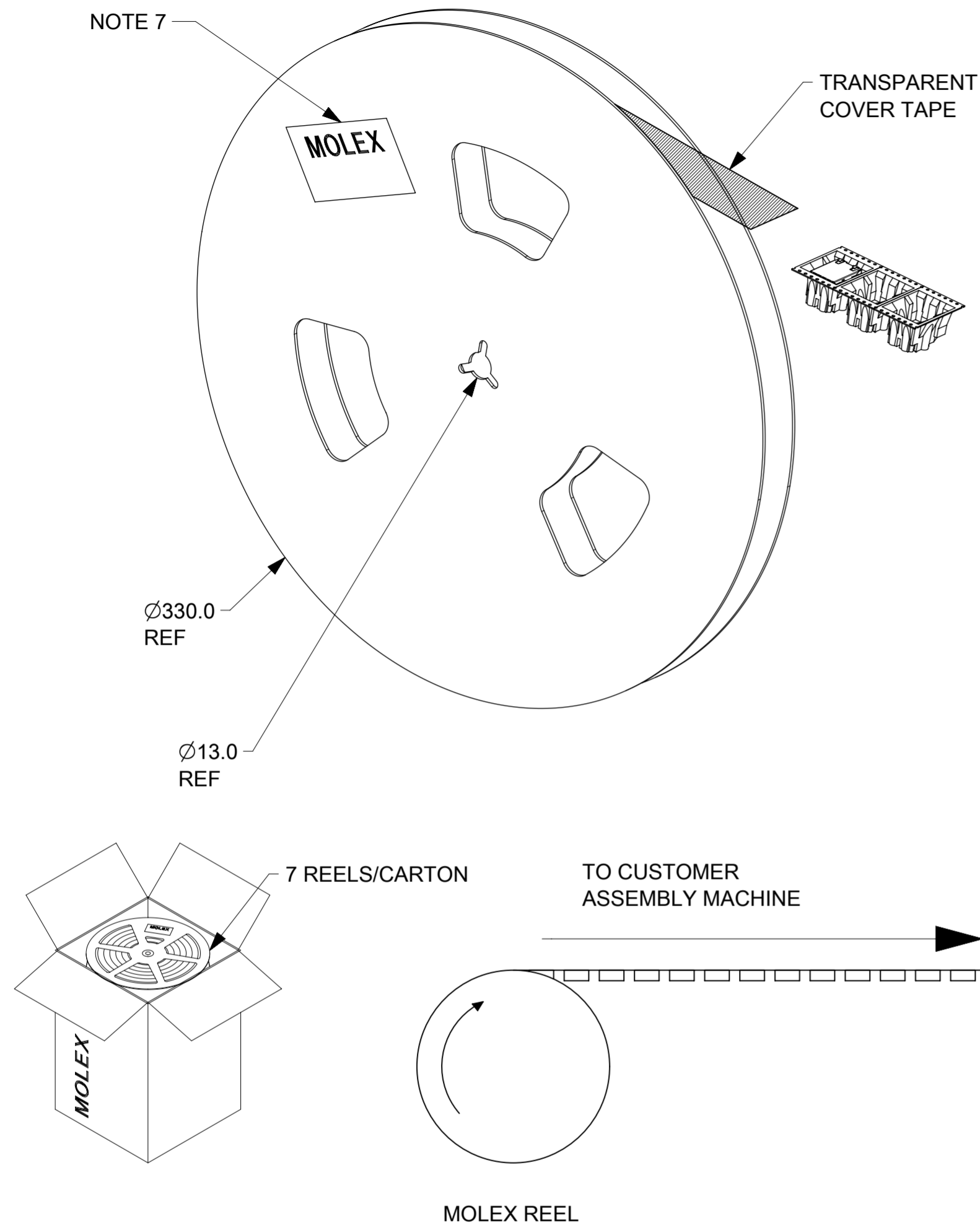


Shield

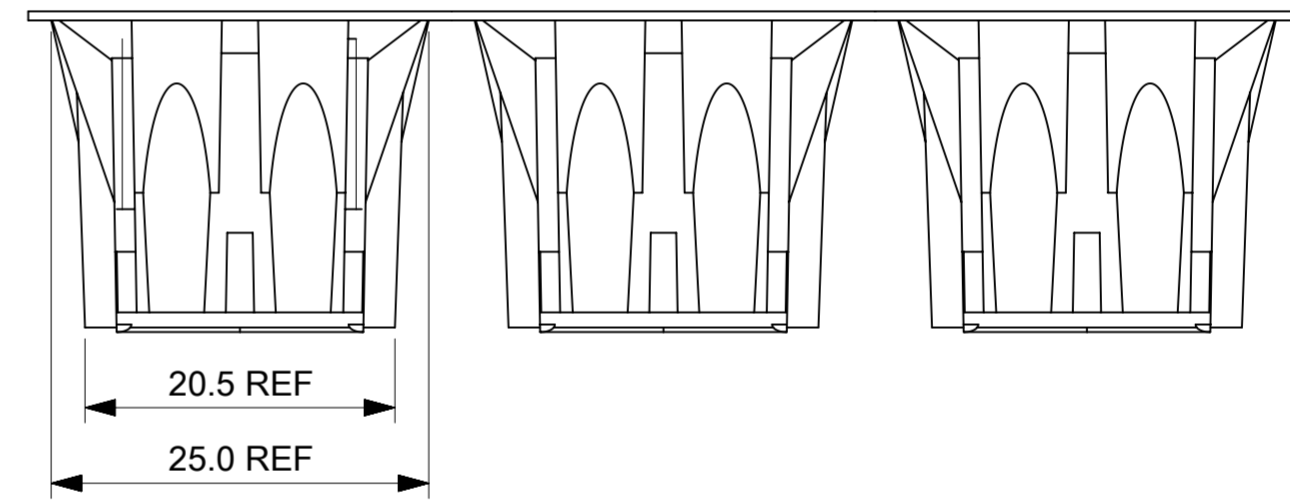
THIS DRAWING CONTAINS INFORMATION THAT IS PROPRIETARY TO MOLEX ELECTRONIC TECHNOLOGIES, LLC AND SHOULD NOT BE USED WITHOUT WRITTEN PERMISSION

UPDATED MAGBOX + 2kV EC NO: 117810 DRWN: SBRENNAN CHKD: DBYRNES APPR: STGRIFFIN	2017/06/06	2017/06/12	2017/06/12	GENERAL TOLERANCES (UNLESS SPECIFIED)	DIMENSION UNITS	SCALE	
				ANGULAR TOL ± 2.0 °	MM	1:1	
	4 PLACES	±		DBYRNES	DATE	2015/11/20	
	3 PLACES	±		CHK'D BY	DATE		
2 PLACES	±	0.1	DBYRNES	DATE	2016/09/19	1" MXMAG 4 CORE FE IND	
1 PLACE	±	0.2	STGRIFFIN	DATE	2016/09/23		
0 PLACES	±		DRAFT WHERE APPLICABLE MUST REMAIN WITHIN DIMENSIONS			PRODUCT CUSTOMER DRAWING	
DRAWING SIZE		THIRD ANGLE PROJECTION		SERIES	MATERIAL NUMBER	CUSTOMER	
A2				93755	SEE TABLE ON SHEET 2	GENERAL MARKET	
DOCUMENT NUMBER				DOC TYPE		DOC PART SHEET NUMBER	
937550002				PSD		000 3 OF 3	

NOTE 7



DIRECTION OF UNREELING



BLISTER TAPE PART NO	PIECES/REEL	PIECES/CARTON	REELS/CARTON
990449058	107	749	7

NOTES:

- MATERIAL:
CARRIER TAPE: VOLUME CONDUCTIVE POLYSTYRENE, 0.60 mm REF THICK, BLACK.
COVER TAPE: COLD SEAL POLYESTER, 0.06 mm REF THICK TRANSPARENT.
- PITCH TOLERANCE OVER ANY 10 PITCHES ± 0.2 mm
- PEEL FORCE OF COVER TAPE IS 0.1 N TO 1.3 N
AT A MAXIMUM SPEED OF 300 mm/min ± 10 mm/min
- PACKAGING SPECIFICATION: 934620002 PSK.
- REFERENCE TO IEC 60286-3 EXCEPT WHERE NOTED
- LABELS SHALL BE PLACED ON THE EACH REEL AND ON THE CARTON
- THE LABEL ON THE REEL SHALL BE PLACED ON THE OUTSIDE OF THE FLANGE
OPPOSITE THE ROUND SPROCKET HOLES
- ALL DIMENSIONS ARE REFERENCE ONLY

THIS DRAWING CONTAINS INFORMATION THAT IS PROPRIETARY TO MOLEX ELECTRONIC TECHNOLOGIES, LLC AND SHOULD NOT BE USED WITHOUT WRITTEN PERMISSION									
DIMENSION UNITS mm		SCALE 1:2		CURRENT REV DESC: ORIGINAL RELEASE				molex	
GENERAL TOLERANCES (UNLESS SPECIFIED)				EC NO: 624501					
ANGULAR TOL $\pm 2.0^\circ$		4 PLACES \pm		DRWN: DSHEA		2019/09/19		MXMAG ONE INCH TAPE & REEL BLISTER PACKAGING	
3 PLACES \pm		2 PLACES ± 0.1		CHK'D: DBYRNES		2019/09/26		PRODUCT CUSTOMER DRAWING	
1 PLACE ± 0.2		0 PLACES \pm		APPR: DBYRNES		2019/09/26		DOCUMENT NUMBER	
INITIAL REVISION: DRWN: DSHEA APPR: DBYRNES				2019/09/19		2019/09/26		990449058	
DRAFT WHERE APPLICABLE MUST REMAIN WITHIN DIMENSIONS		THIRD ANGLE PROJECTION		DRAWING		SERIES		MATERIAL NUMBER	
				A2-SIZE		99044		990449058	
DOCUMENT STATUS		P1		RELEASE DATE		2019/09/26 09:14:35		CUSTOMER	
								GENERAL MARKET	
								SHEET NUMBER	
								1 OF 1	