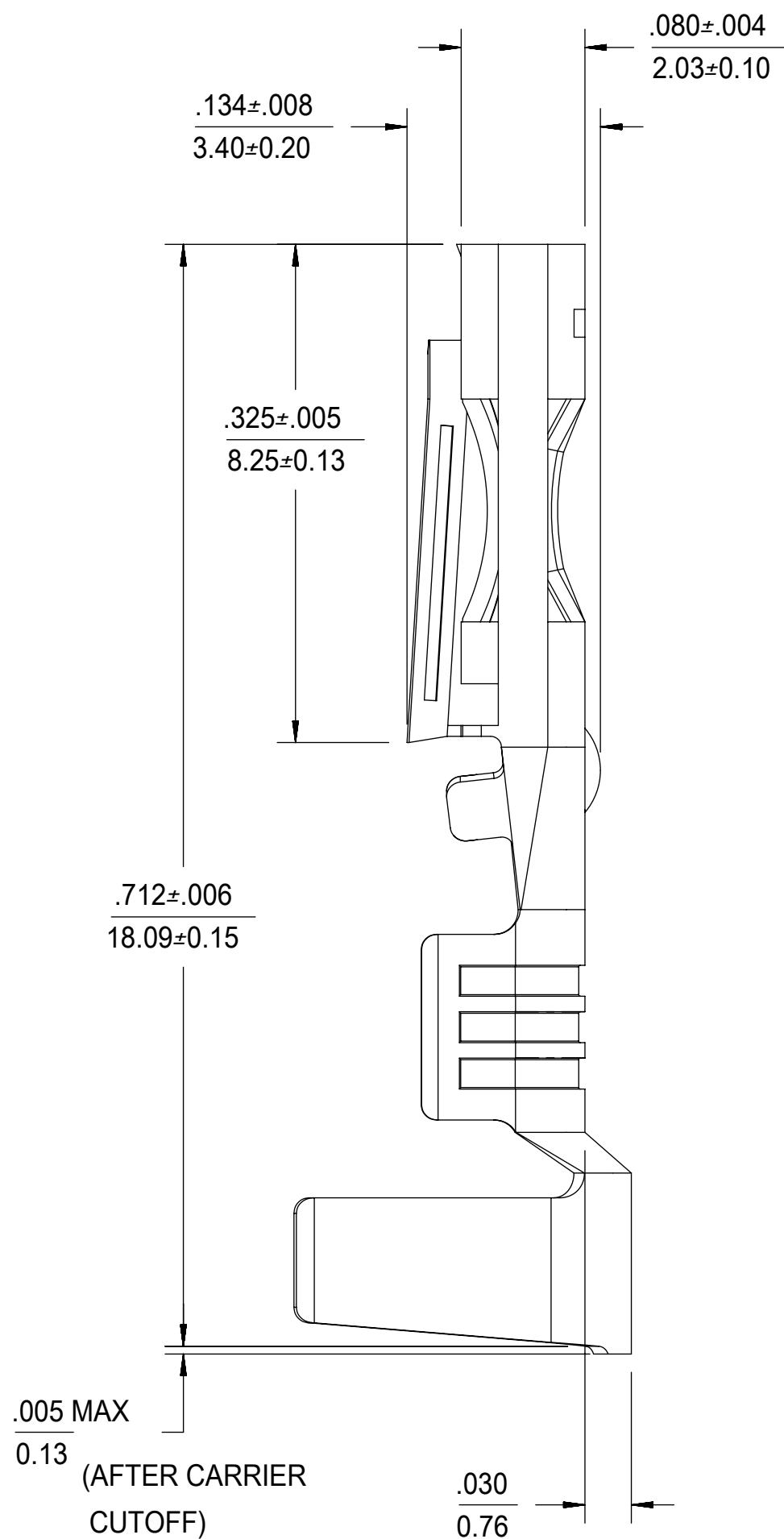
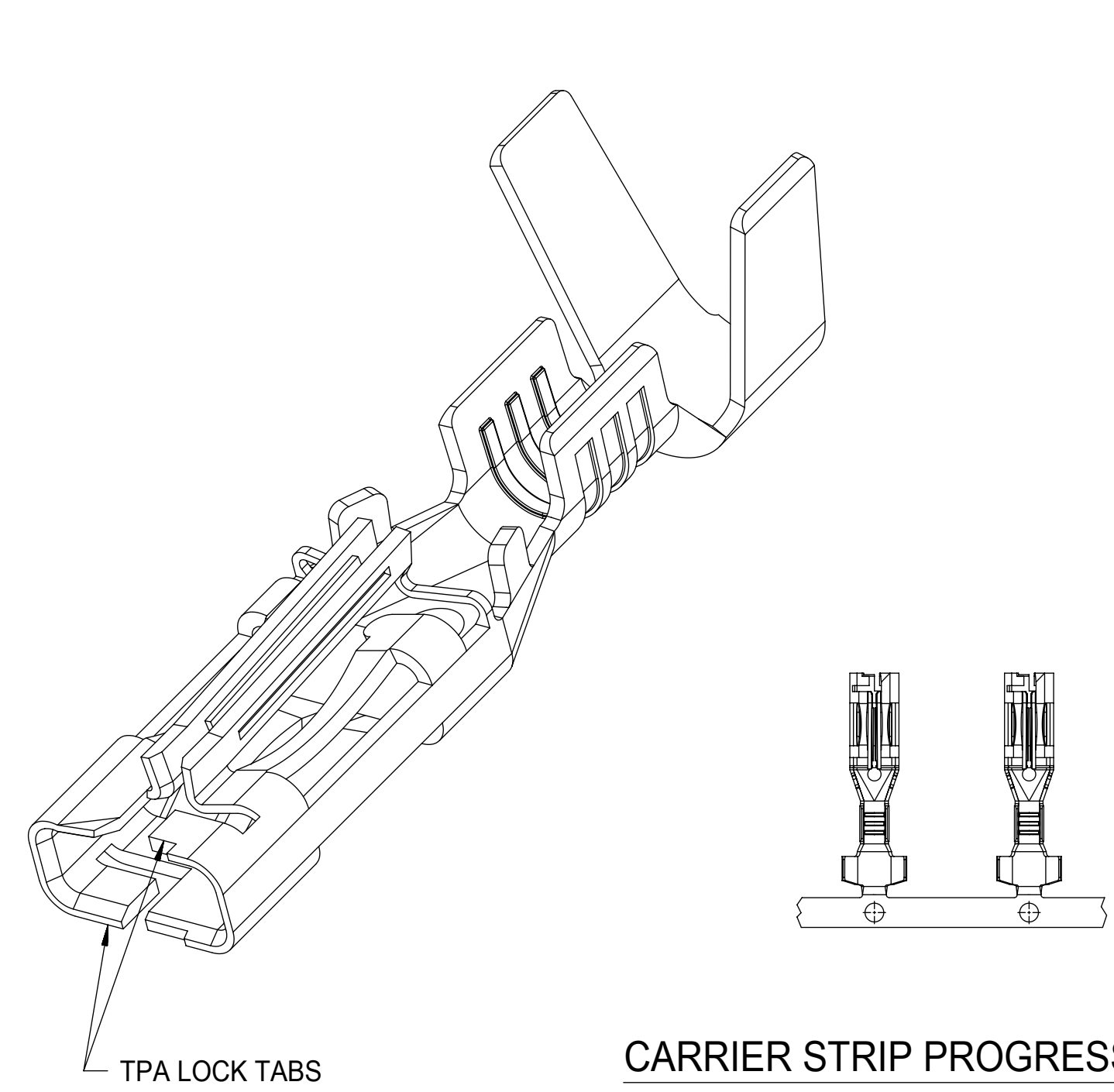
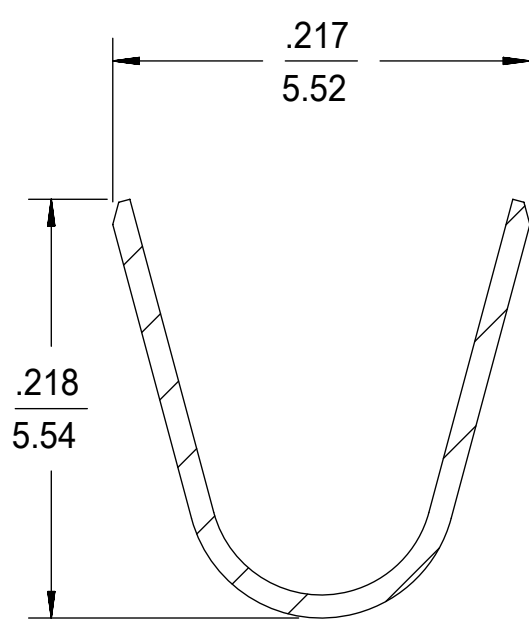
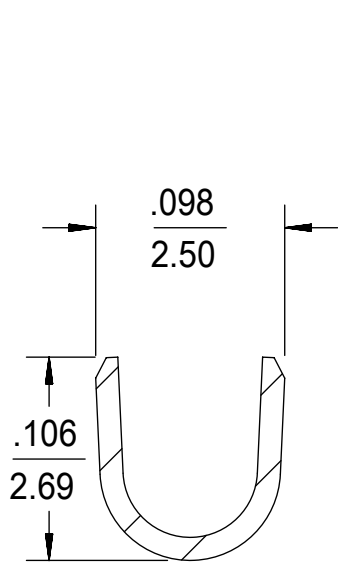


**SECTION Z-Z**  
CONDUCTOR CRIMP



**SECTION Y-Y**  
INSULATION CRIMP



**CARRIER STRIP PROGRESSION**

SCALE 2:1

**NOTES:**

1. MATERIAL: BRASS
2. FINISH: 20 MICRINCH / (0.5 MICROMETER) MIN. HOT TIN DIP OVERALL.
3. PRODUCT SPECIFICATION: PS-44441-9999.
4. PACKAGING: TERMINALS WOUND ON 24" REELS WITH PAPER INTERLEAF PER 433750000-PK.
5. THIS TERMINAL FOR USE WITH 44441 SERIES HOUSINGS AND IS UNTENDED FOR 18-20 AWG STRANDED WIRE, UL STYLE 1015, 1056 OR SPT-3 WIRE, .180/4.57 MAXIMUM INSULATION DIAMETER.
6. TERMINAL MATES TO .125/3.18 WIDE X .020/0.51 THICK FLAT BLADE TERMINALS. MATING CRIMP TERMINAL: 43178 SERIES.
7. TERMINAL HAS TPA (TOTAL POSITIONING ASSURANCE) OPTIONAL ACTIVATION FEATURE THAT WHEN ACTIVATED AND USED WITH MOLEX "SABRE" SERIES RECEPTACLE HOUSINGS, PROVIDES SECONDARY LOCK SYSTEM WHICH ENSURES AGAINST TERMINAL BACKOUTS.
8. PARTS CONFORM TO CLASS 'B' REQUIREMENTS OF PS-45499-002.

THIS DRAWING CONTAINS INFORMATION THAT IS PROPRIETARY TO MOLEX ELECTRONIC TECHNOLOGIES, LLC AND SHOULD NOT BE USED WITHOUT WRITTEN PERMISSION									
SYMBOLS		DIMENSION UNITS		SCALE		CURRENT REV DESC: ADD PK SPEC			
∇ = 0	IN/MM	10:1		<b>molex</b> TERMINAL, FEM, 18-20 AWG .125/(3.18) WIDE, W/TPA UL 1015, 1056 OR SPT-3 PRODUCT CUSTOMER DRAWING DOCUMENT NUMBER: <b>SD-43375-311</b>   DOC TYPE: PSD   DOC PART: 001   REVISION: A2 MATERIAL NUMBER: 433753001   CUSTOMER: GENERAL MARKET   SHEET NUMBER: 1 OF 1					
∇ = 0	GENERAL TOLERANCES (UNLESS SPECIFIED)								
∇ = 0	MM	INCH							
∇ = 0	4 PLACES	±	±						
∇ = 0	3 PLACES	±	± 0.01						
∇ = 0	2 PLACES	± 0.25	± 0.014						
∇ = 0	1 PLACE	± 0.35	±						
∇ = 0	0 PLACES	±	±						
∇ = 0	ANGULAR TOL	± 0.5 °		THIRD ANGLE PROJECTION		DRAWING SERIES		C-SIZE 43375	
∇ = 0	DRAFT WHERE APPLICABLE MUST REMAIN WITHIN DIMENSIONS			DRAWING SERIES		C-SIZE 43375		MATERIAL NUMBER: 433753001   CUSTOMER: GENERAL MARKET   SHEET NUMBER: 1 OF 1	