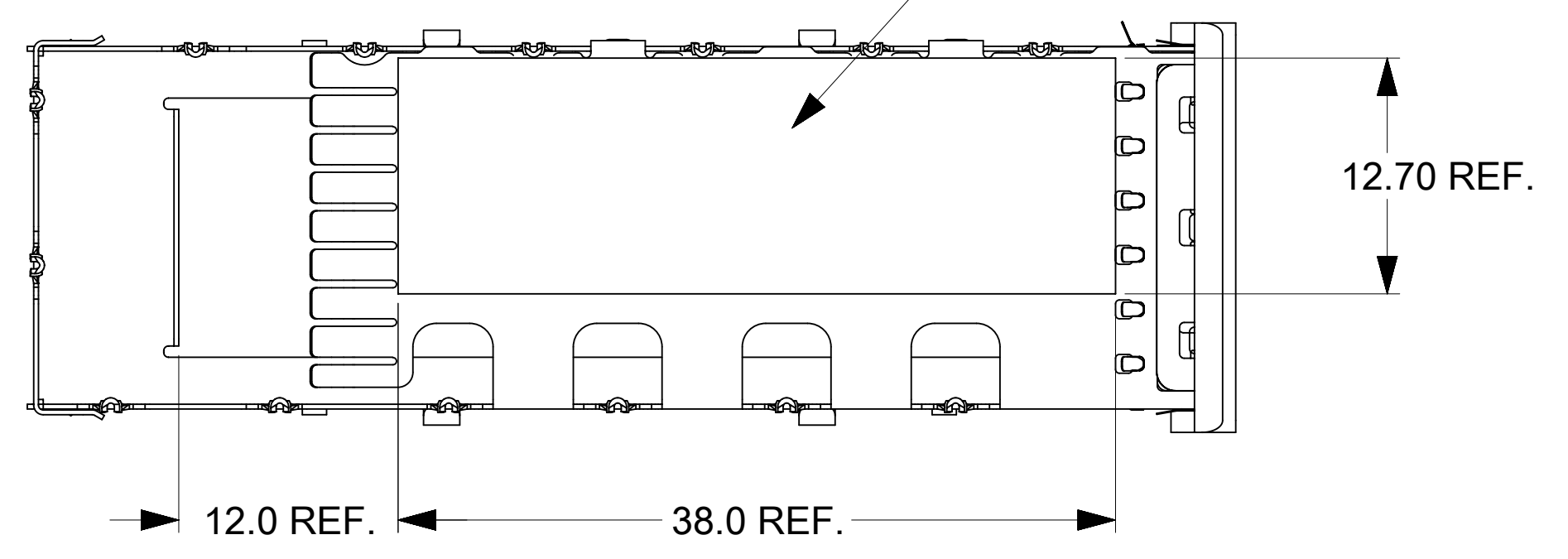
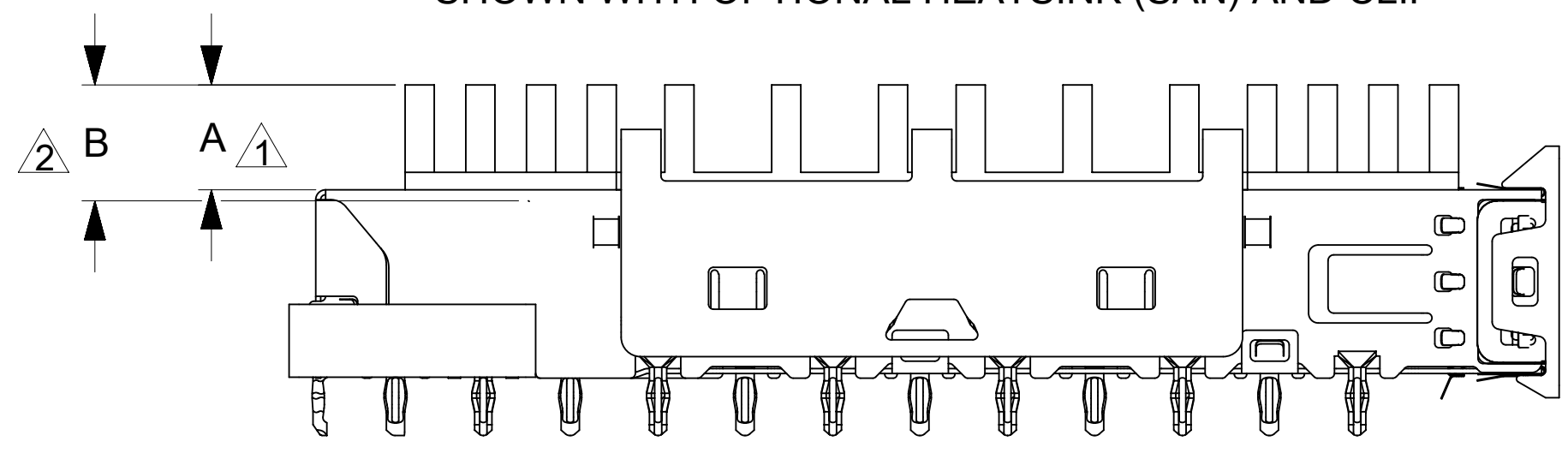


COMPLIANT EMI GASKET (DARK COLORED)

INSULATING TAPE

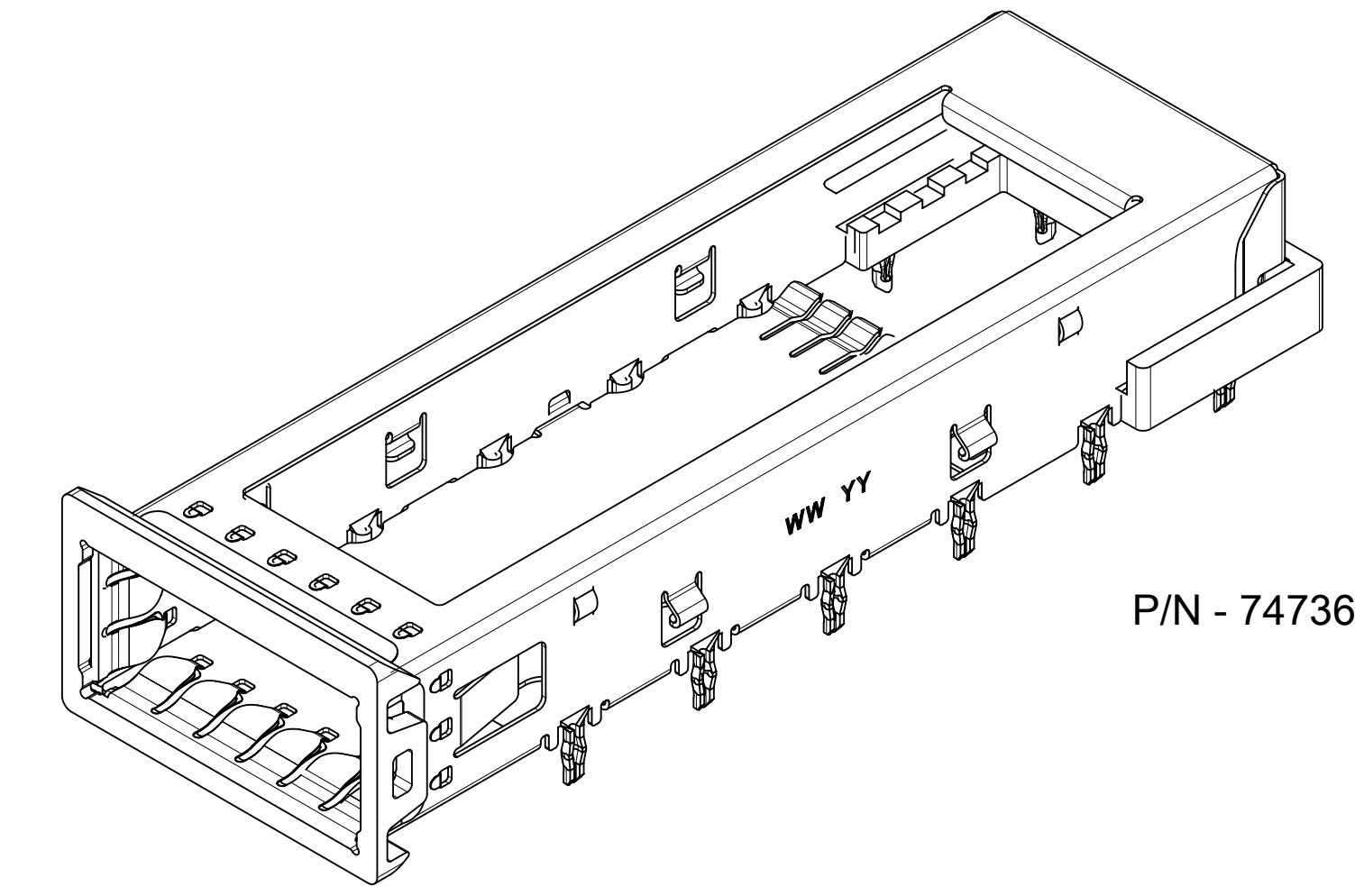
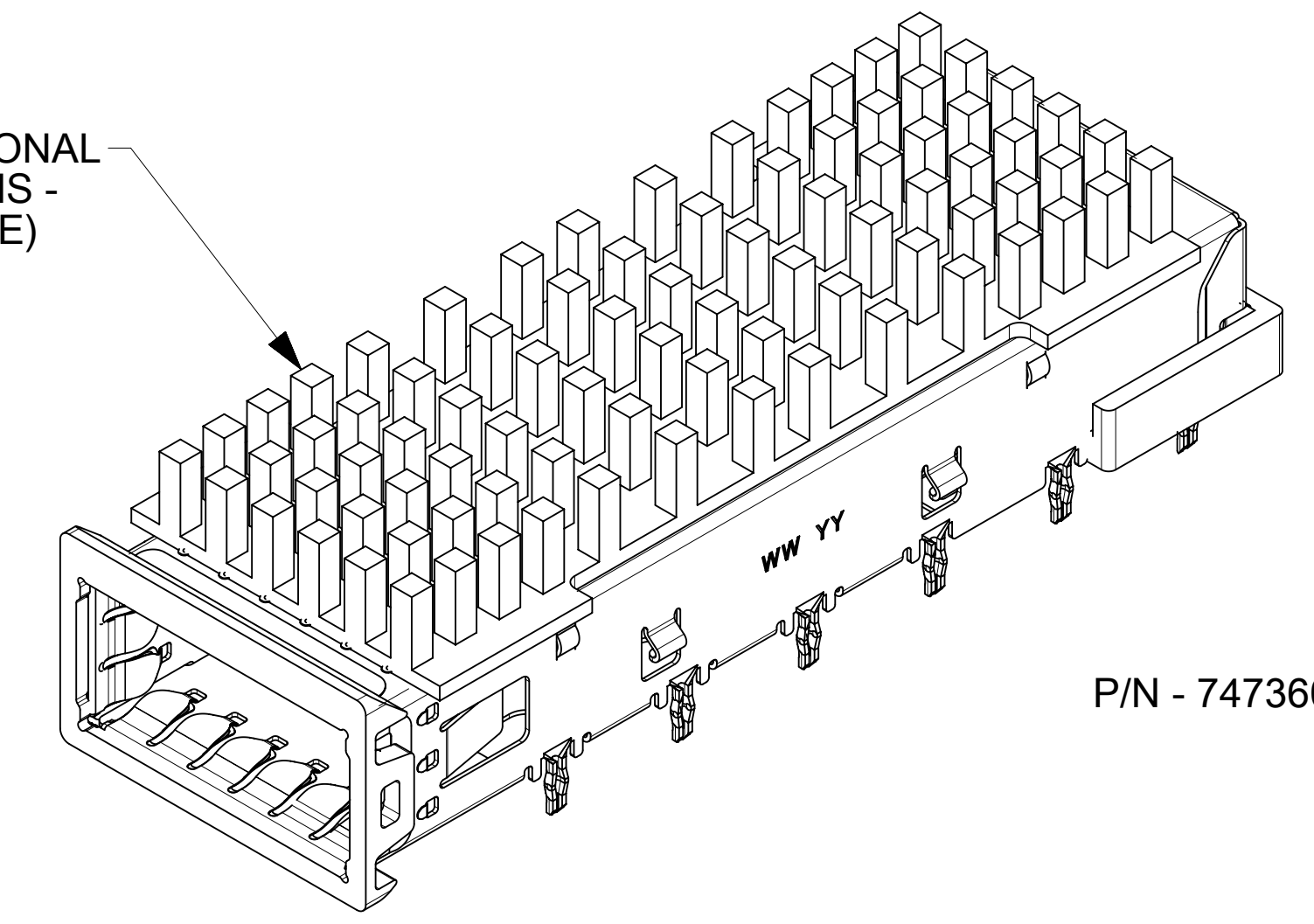


SHOWN WITH OPTIONAL HEATSINK (SAN) AND CLIP



- 1 MAXIMUM HEIGHT OF HEATSINK WITH MODULE INSERTED
- 2 OVERALL HEIGHT OF HEATSINK
- 3. OTHER HEATSINK DESIGNS ARE AVAILABLE INCLUDING CUSTOM DESIGNS

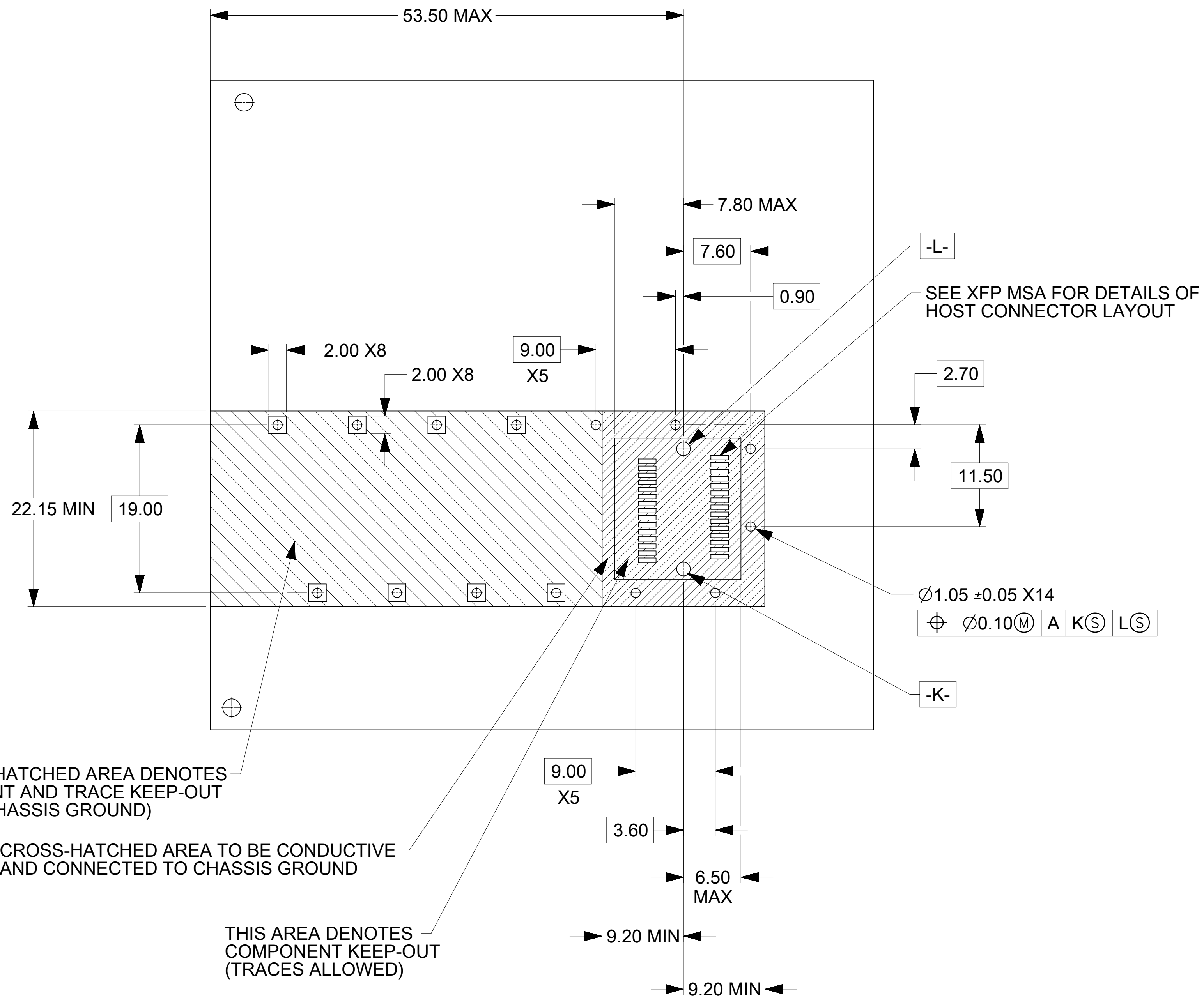
HEATSINK SINK AND CLIP ARE OPTIONAL (SEE CHART FOR HEATSINK OPTIONS - CUSTOM HEATSINKS ARE AVAILABLE)



PART NUMBERS FOR XFP CAGE ASSEMBLY & PARTS					
P/N	DIM A	DIM B	DESCRIPTION	POWER LEVEL	THERMAL RESISTANCE @200 LFM
747360447	N/A	N/A	XFP CAGE WITH NO HEATSINK OR CLIP	N/A	N/A
747360449	6.3	6.5	XFP CAGE WITH SAN HEATSINK (SHOWN)	UP TO 2.5W	<11.5 C/W
747360450	13.3	13.5	XFP CAGE WITH TALL HEATSINK	UP TO 3.5W	<8.0 C/W
747360230	N/A	N/A	HEATSINK CLIP ONLY	N/A	N/A
747360240	N/A	N/A	PCI HEATSINK ONLY	UP TO 1.5W	<18.0 C/W
747360241	N/A	N/A	SAN HEATSINK ONLY	UP TO 2.5W	<11.5 C/W
747360242	N/A	N/A	TALL HEATSINK ONLY	UP TO 3.5W	<8.0 C/W

THIS DRAWING CONTAINS INFORMATION THAT IS PROPRIETARY TO MOLEX ELECTRONIC TECHNOLOGIES, LLC AND SHOULD NOT BE USED WITHOUT WRITTEN PERMISSION

DIMENSION UNITS mm	SCALE 3:1	CURRENT REV DESC:		molex	
GENERAL TOLERANCES (UNLESS SPECIFIED)		EC NO: 624461	2019/02/04		
4 PLACES ±	±	DRWN: AKUMAR19	2019/10/17	PRODUCT CUSTOMER DRAWING	
3 PLACES ±	±	CHK'D: GGA	2019/10/17	DOCUMENT NUMBER	DOC TYPE DOC PART REVISION
2 PLACES ±	0.1 ±	APPR: GGA	2019/10/17	SD-74736-0448	PSD 001 F
1 PLACE ±	0.25 ±	INITIAL REVISION:		MATERIAL NUMBER CUSTOMER SHEET NUMBER	
0 PLACES ±	±	DRWN: CHIRSCHY	2008/09/19	SEE TABLE	GENERAL MARKET
ANGULAR TOL ±	1.0 °	APPR: RMAHMOOD	2010/11/23	D-SIZE 74736	1 OF 3
DRAFT WHERE APPLICABLE MUST REMAIN WITHIN DIMENSIONS		THIRD ANGLE PROJECTION	DRAWING		

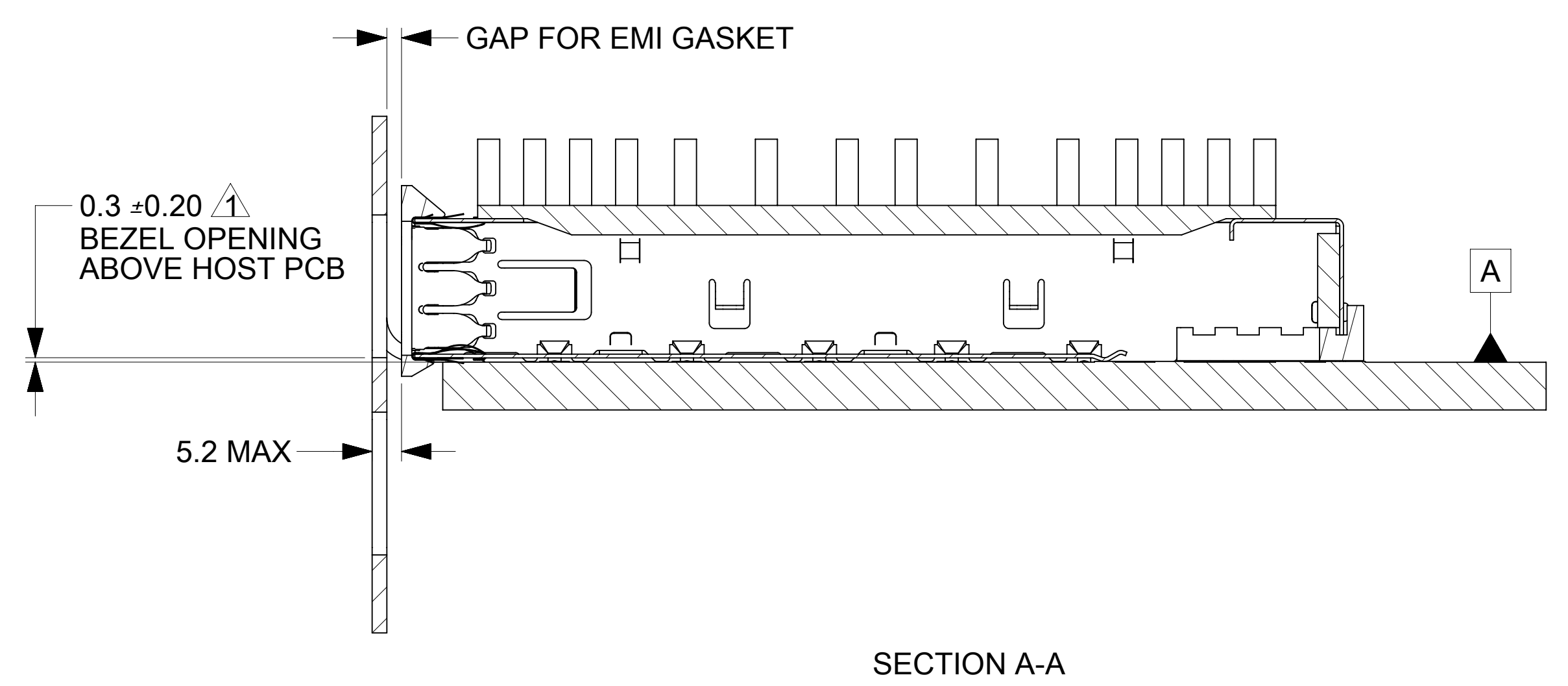
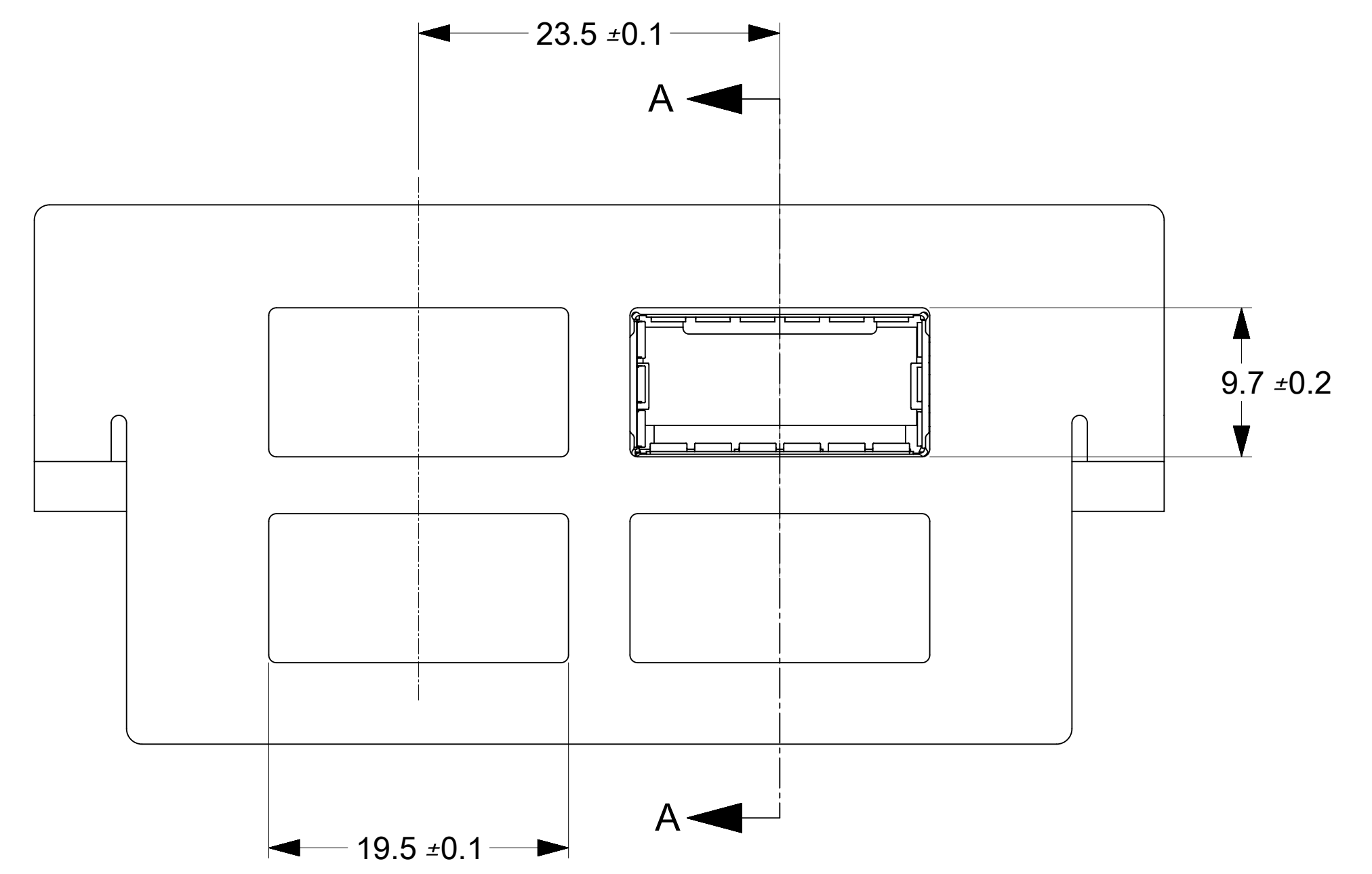


CROSSED-HATCHED AREA DENOTES COMPONENT AND TRACE KEEP-OUT (EXCEPT CHASSIS GROUND)

CROSS-HATCHED AREA TO BE CONDUCTIVE AND CONNECTED TO CHASSIS GROUND

THIS AREA DENOTES COMPONENT KEEP-OUT (TRACES ALLOWED)

▲ FOR PCI APPLICATIONS RECOMMENDED DIMENSION IS 0.4 ±0.1



THIS DRAWING CONTAINS INFORMATION THAT IS PROPRIETARY TO MOLEX ELECTRONIC TECHNOLOGIES, LLC AND SHOULD NOT BE USED WITHOUT WRITTEN PERMISSION									
DIMENSION UNITS		SCALE		CURRENT REV DESC:					
mm		3:1							
GENERAL TOLERANCES (UNLESS SPECIFIED)				EC NO: 624461					
		MM		INCH		DRWN: AKUMAR19 2019/02/04			
4 PLACES		±		±		2019/10/17			
3 PLACES		±		±		CHK'D: GGA			
2 PLACES		±		0.1		APPR: GGA 2019/10/17			
1 PLACE		±		0.25		INITIAL REVISION:			
0 PLACES		±		±		DRWN: CHIRSCHY 2008/09/19			
ANGULAR TOL		±		1.0°		APPR: RMAHMOOD 2010/11/23			
DRAFT WHERE APPLICABLE MUST REMAIN WITHIN DIMENSIONS				THIRD ANGLE PROJECTION		DRAWING		SERIES	
						D-SIZE		74736	
DOCUMENT NUMBER				DOC TYPE		DOC PART		REVISION	
SD-74736-0448				PSD		001		F	
MATERIAL NUMBER				CUSTOMER		SHEET NUMBER			
SEE TABLE				GENERAL MARKET		2 OF 3			

DOCUMENT STATUS	P1	RELEASE DATE	2019/10/17	02:39:01
-----------------	----	--------------	------------	----------

DATE	REV	DESCRIPTION
2008/09/19	A	1. INITIAL RELEASE
2008/12/15	B	1. ADDED TEXT (DARK COLORED) TO COMPLIANT EMI GASKET NOTE
2010/03/01	C	1. ADDED NOTE TO PAGE 2 - THIS AREA DENOTES COMPONENT KEEP-OUT (TRACES ALLOWED) TO VIEW.
		2. REMOVED NOTE 2 FROM PAGE 2.
	D	
2013/04/23	E	1. ADDED 747360453.
2019/02/04	F	1. OBSOLETE PART NUMBER 747360448.

THIS DRAWING CONTAINS INFORMATION THAT IS PROPRIETARY TO MOLEX ELECTRONIC TECHNOLOGIES, LLC AND SHOULD NOT BE USED WITHOUT WRITTEN PERMISSION											
DIMENSION UNITS		SCALE		CURRENT REV DESC:						molex	
mm		1:1									
GENERAL TOLERANCES (UNLESS SPECIFIED)				EC NO: 624461		DRWN: AKUMAR19		2019/02/04		XFP CAGE ASSEMBLY W/ 3D LEG	
				CHK'D: GGA		2019/10/17					
4 PLACES ±		±		APPR: GGA		2019/10/17		PRODUCT CUSTOMER DRAWING			
3 PLACES ±		±		INITIAL REVISION:		DRWN: CHIRSCHY		2008/09/19		DOCUMENT NUMBER	
2 PLACES ±		0.1 ±		APPR: RMAHMOOD		2010/11/23		SD-74736-0448		DOC TYPE	
1 PLACE ±		0.25 ±		THIRD ANGLE PROJECTION		DRAWING		SERIES		DOC PART	
0 PLACES ±		±		DRAFT WHERE APPLICABLE MUST REMAIN WITHIN DIMENSIONS		D-SIZE		74736		REVISION	
ANGULAR TOL ±		1.0 °		THIRD ANGLE PROJECTION		D-SIZE		74736		MATERIAL NUMBER	
				THIRD ANGLE PROJECTION		D-SIZE		74736		CUSTOMER	
				THIRD ANGLE PROJECTION		D-SIZE		74736		SHEET NUMBER	
				THIRD ANGLE PROJECTION		D-SIZE		74736		3 OF 3	