

- 注記 NOTES
1. 使用材料  
MATERIAL  
ハウジング: ポリアミド(PA)、ガラス充填、UL94V-0、ナチュラル(白)  
HOUSING: POLYAMIDE, GLASS FILLED, UL94V-0, NATURAL (WHITE)  
アクチュエータ: ポリフェニレンサルファイド (PPS)、ガラス充填、UL94V-0、黒  
ACTUATOR: POLYPHENYLENE SULFIDE, GLASS FILLED, UL94V-0, BLACK  
ターミナル: リン青銅、(t=0.2)  
TERMINAL: PHOSPHOR BRONZE  
金具: リン青銅、(t=0.2)  
FITTING NAIL: PHOSPHOR BRONZE
  2. めっき仕様  
PLATING  
ターミナル TERMINAL  
錫銀ビスマスめっき (1.0µm以上)  
下地: ニッケルめっき (1.0µm以上)  
TIN SILVER BISMUTH PLATING (1.0 MICROMETER MINIMUM)  
UNDER PLATE: NICKEL PLATING (1.0 MICROMETER MINIMUM)  
金具 FITTING NAIL  
錫めっき (1.0µm以上)  
下地: ニッケルめっき (1.0µm以上)  
TIN PLATING (1.0 MICROMETER MINIMUM)  
UNDER PLATE: NICKEL PLATING (1.0 MICROMETER MINIMUM)
  3. R0.3は、FPCの導体部にかからないこと  
R0.3 MUST NOT BE OVERLAPED TO PATTERN OF FPC.
  4. エンボステープ梱包時は、アクチュエータがロックした状態になります。  
IN THE PACKAGE, ACTUATOR SHOULD BE LOCKED.
  5. 偶数極に適用  
APPLY FOR EVEN CIRCUIT.
  6. パターン剥離止め金具  
FITTING NAIL FOR PREVENTION OF PEELING OF P.W.B. PATTERN.  
ソルダーテール半田付け面のズレ量、および金具半田付け面のズレ量は、相互のばらつきは0.1MAXIMUMとする。
  7. 基準面Hに対し上方向0.1MAXIMUM、下方向0.15MAXIMUMとし、  
MISALIGNMENT OF SOLDER TAILS AND FITTING NAILS FROM DATUM H  
UPPER DIRECTION : 0.1MAXIMUM, LOWER DIRECTION :  
0.15MAXIMUM. OFFSET BETWEEN UPPER AND LOWER : 0.1MAXIMUM.
  8. ELV及びRoHS適合品  
ELV AND RoHS COMPLIANT.

21.6	19.6	15.65	14.5	52435-3033	30
21.1	19.1	15.15	14.0	52435-2933	29
20.6	18.6	14.65	13.5	52435-2833	28
20.1	18.1	14.15	13.0	25435-2733	27
19.6	17.6	13.65	12.5	52435-2633	26
19.1	17.1	13.15	12.0	52435-2533	25
18.6	16.6	12.65	11.5	52435-2433	24
18.1	16.1	12.15	11.0	52435-2333	23
17.6	15.6	11.65	10.5	52435-2233	22
17.1	15.1	11.15	10.0	52435-2133	21
D	C	B	(A)	オーダー番号 ORDER NO.	極数 CKT

CONNECTOR SERIES NO. 52435-\*\*22

THIS DRAWING CONTAINS INFORMATION THAT IS PROPRIETARY TO MOLEX ELECTRONIC TECHNOLOGIES, LLC AND SHOULD NOT BE USED WITHOUT WRITTEN PERMISSION

GENERAL TOLERANCES (UNLESS SPECIFIED)		DIMENSION UNITS	SCALE
10 UNDER	± 0.2	mm	1:1
10 OVER 30 UNDER	± 0.25	GENERAL TOLERANCES (UNLESS SPECIFIED)	
30 OVER	± 0.3	ANGULAR TOL ± 30°	
ANGULAR ± 3°		4 PLACES ± 0.2	
DRAFT WHERE APPLICABLE		3 PLACES ± 0.25	
MUST REMAIN WITHIN DIMENSIONS		2 PLACES ± 0.3	
		1 PLACE ±	
		0 PLACES ±	
		DRAFT WHERE APPLICABLE MUST REMAIN WITHIN DIMENSIONS	

CURRENT REV DESC: REVISED

EC NO: 600129  
DRWN: YCHEN128 2018/04/09  
CHK'D: KTAKAHASHI 2018/04/12  
APPR: NUKITA 2018/04/13

INITIAL REVISION:  
DRWN: NASANUMA 2012/09/13  
APPR: KMORIKAWA 2013/03/15

THIRD ANGLE PROJECTION  
DRAWING A3-SIZE  
SERIES 52435

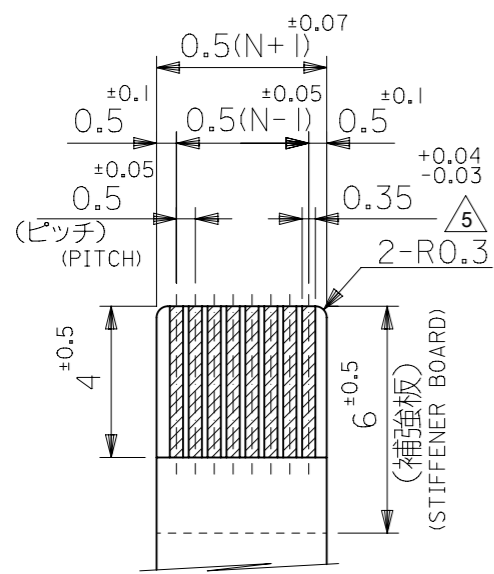
**molex**

0.5 FPC CONN ZIF R/A  
HOUSING ASSY (UPPER CONTAT)

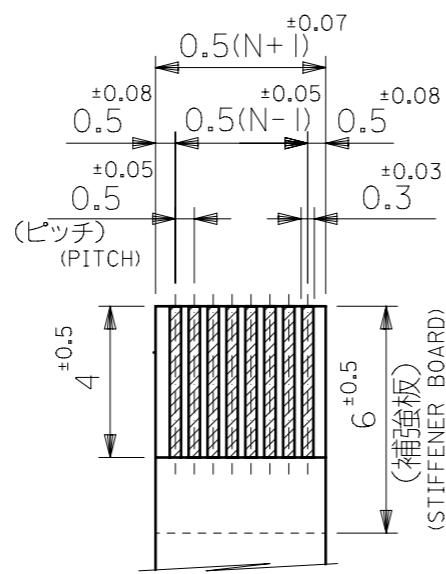
PRODUCT CUSTOMER DRAWING

DOCUMENT NUMBER SD-52435-022  
DOC TYPE PSD  
DOC PART 001  
REVISION C

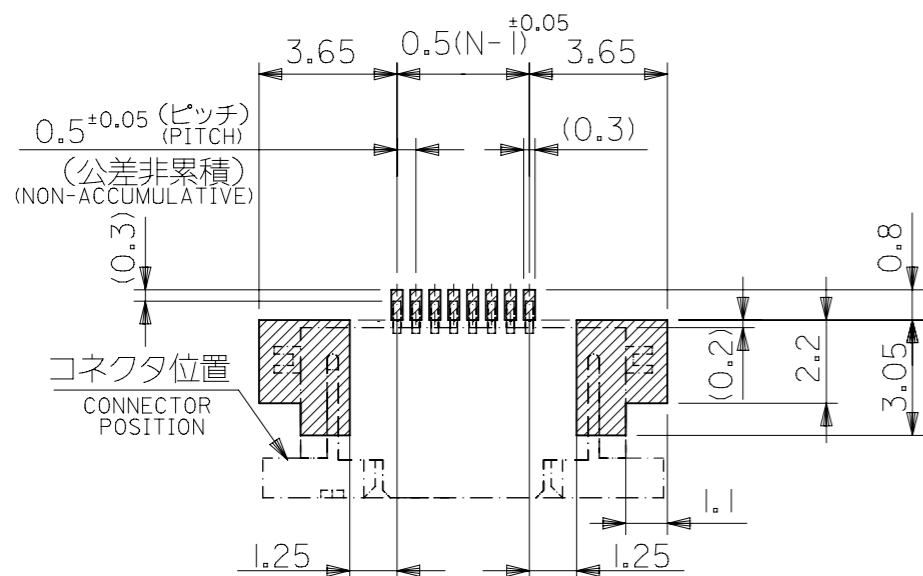
MATERIAL NUMBER CUSTOMER GENERAL MARKET  
SHEET NUMBER 1 OF 2



適合FPC推奨寸法  
 APPLICABLE FPC  
 RECOMMENDED DIMENSION.  
 (仕上がり厚さ:  $0.3 \pm 0.05$ )  
 (THICKNESS:  $0.3 \pm 0.05$ )

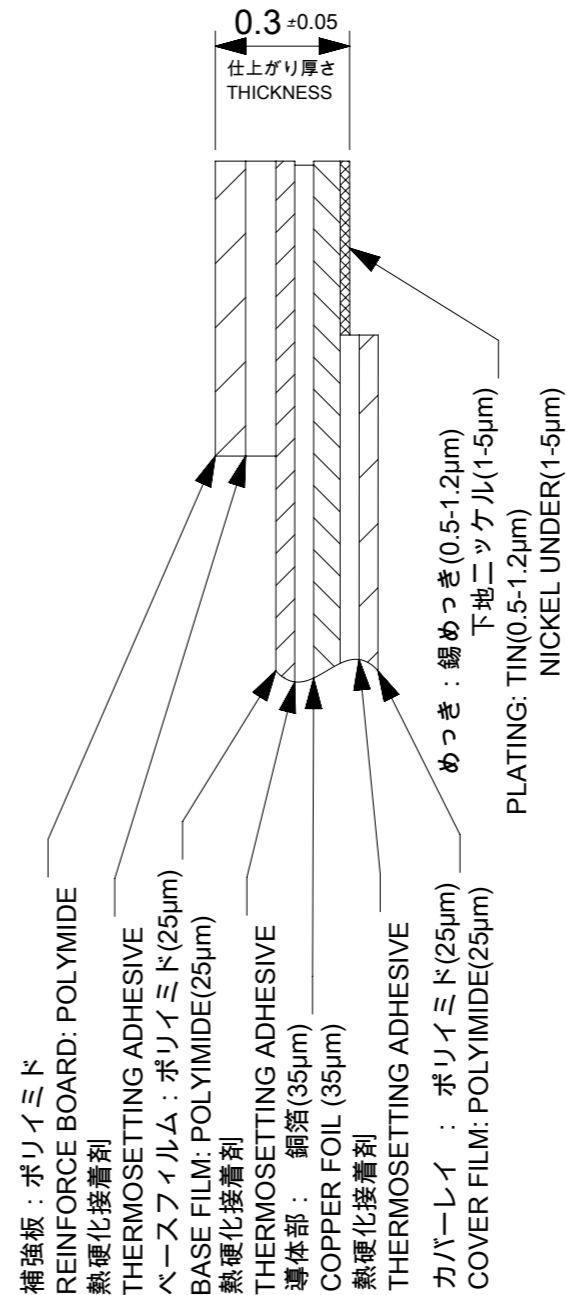


適合FFC推奨寸法  
 APPLICABLE FFC  
 RECOMMENDED DIMENSION.  
 (仕上がり厚さ:  $0.3 \pm 0.05$ )  
 (THICKNESS:  $0.3 \pm 0.05$ )

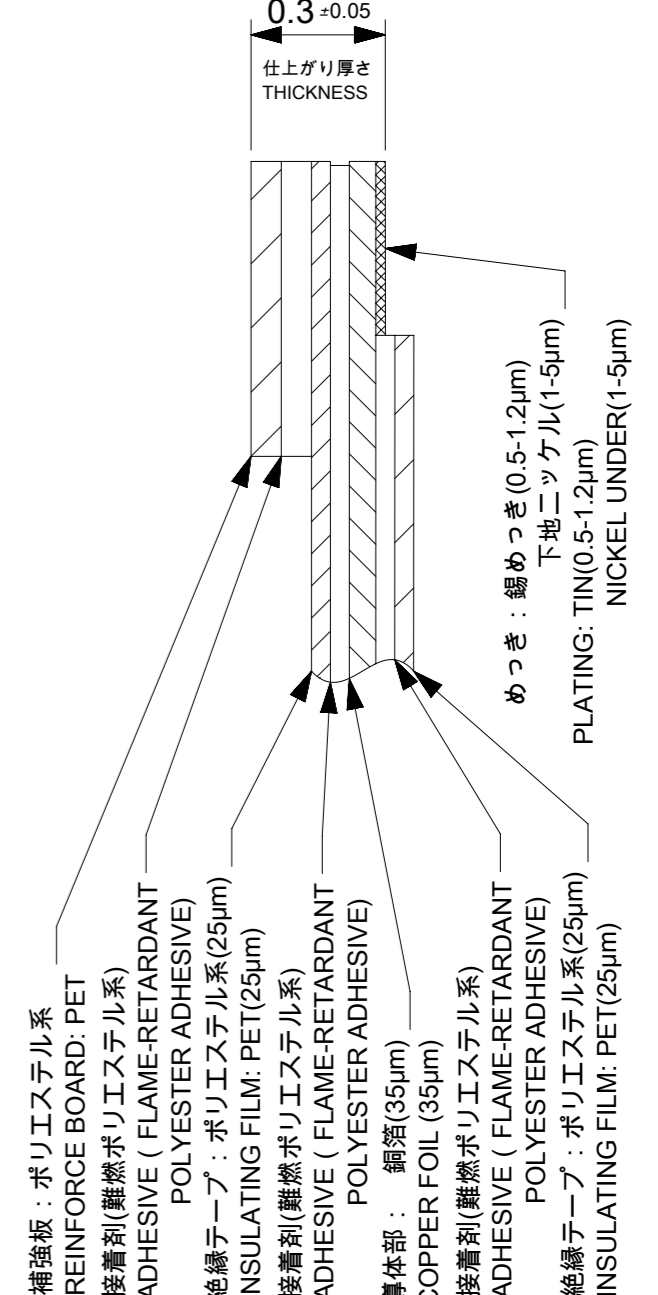


推奨基板レイアウト(マウント面)  
 RECOMMENDED P.C. BOARD  
 PATTERN DIMENSION (MOUNTING SIDE)

マスク厚 : 100μm  
 マスク開口率 : 100%  
 SCREEN THICKNESS : 100μm  
 SCREEN OPEN RATIO : 100%



FPC構成推奨仕様  
 RECOMMENDED STRUCTURE OF FPC



FFC構成推奨仕様  
 RECOMMENDED STRUCTURE OF FFC

FPC/FFCについて:  
 抜き方向は、導体側から補強板側を推奨致します。  
 尚、接着剤の接点部への付着は導通不良の原因になりますので、  
 染み出しが無い様お願い致します。

ABOUT FPC/FFC:  
 RECOMMENDED PUNCHER DIRECTION:  
 FROM CONDUCTOR SIDE TO STIFFNER SIDE  
 PLEASE PUT APPROPRIATE AMOUNT OF ADHESIVE ON ADHEREND  
 BECAUSE THERE IS A POSSIBILITY THAT THE EXTRA ADHESIVE  
 CAUSES THE DEFECT IN ELECTRICAL CONTINUITY.

THIS DRAWING CONTAINS INFORMATION THAT IS PROPRIETARY TO MOLEX ELECTRONIC TECHNOLOGIES, LLC AND SHOULD NOT BE USED WITHOUT WRITTEN PERMISSION

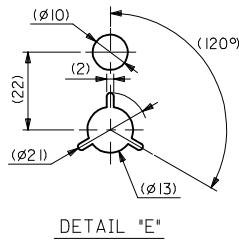
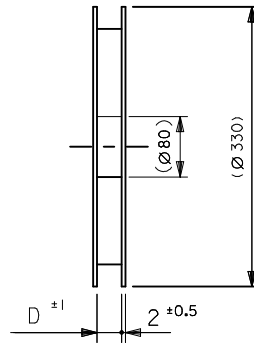
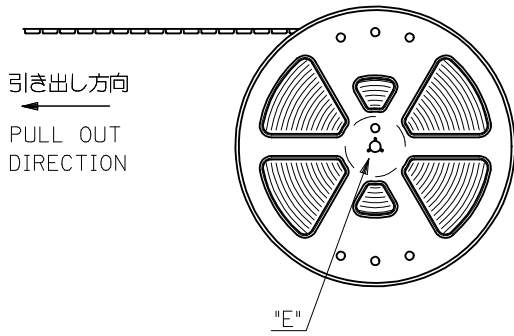
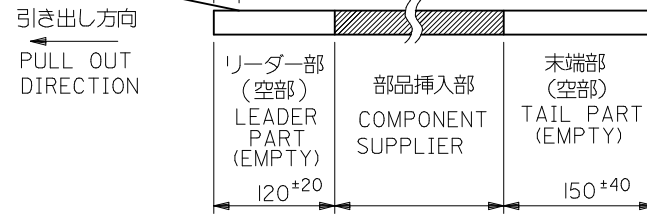
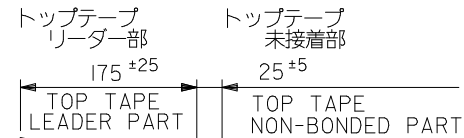
GENERAL TOLERANCES (UNLESS SPECIFIED)		DIMENSION UNITS	SCALE
10 UNDER	± 0.2	mm	5:1
10 OVER 30 UNDER	± 0.25	GENERAL TOLERANCES (UNLESS SPECIFIED)	
30 OVER	± 0.3	ANGULAR TOL ± 30°	
ANGULAR ± 3°		4 PLACES ± 0.2	
DRAFT WHERE APPLICABLE		3 PLACES ± 0.25	
MUST REMAIN WITHIN DIMENSIONS		2 PLACES ± 0.3	
		1 PLACE ±	
		0 PLACES ±	
		DRAFT WHERE APPLICABLE MUST REMAIN WITHIN DIMENSIONS	

CURRENT REV DESC: REVISED		EC NO: 600129	
		DRWN: YCHEN128 2018/04/09	
		CHK'D: KTAKAHASHI 2018/04/12	
		APPR: NUKITA 2018/04/13	
		INITIAL REVISION:	
		DRWN: NASANUMA 2012/09/13	
		APPR: KMORIKAWA 2013/03/15	
THIRD ANGLE PROJECTION	DRAWING	SERIES	MATERIAL NUMBER
	A3-SIZE	52435	

<b>molex</b>			
0.5 FPC CONN ZIF R/A HOUSING ASSY (UPPER CONTAT)			
PRODUCT CUSTOMER DRAWING			
DOCUMENT NUMBER	DOC TYPE	DOC PART	REVISION
SD-52435-022	PSD	001	C
MATERIAL NUMBER	CUSTOMER		SHEET NUMBER
	GENERAL MARKET		2 OF 2

注記 NOTES

- 製品番号 52435-\*\*22 の梱包状態はアクチュエータがロックした状態とする。  
 詳細寸法については図面 RSD-52435- 22 を参照下さい。  
 IN THE PACKAGE,ACTUATOR OF PART NO.52435-\*\*22 SHOULD BE LOCKED RE DETAILED DIMENSIONS,SEE RSD-52435- 021
- 梱包数量：1000個/リール  
 NUMBER OF CONNECTORS:1000PCS/REEL
- リードテープ長さ LEAD TAPE LENGTH



- トップテープの剥離強度については、IEC60286-3 に準拠  
 TOP TAPE PEEL FORCE IS DEFINED BY IEC60286-3.
- 材料 (MATERIAL)  
 キャリアテープ (CARRIER TAPE) :ポリプロピレン (POLYPROPYLENE)  
 トップテープ (TOPTAPE) : PET, PE, PEF  
 リール (REEL) : ポリスチレン (PS) <リサイクル材を含む>  
 POLYSTYREN (PS) <RECYCLE MATERIAL CONTAINED>
- ELV及びRoHS適合品  
 ELV AND RoHS COMPLIANT

RELEASED EC NO.: J2013-1014 DRWN: NKONDO 2012/09/10 CHKD: KTAKAHASHI 2012/09/10 APPR: KMORIKAWA 2013/03/15	DESCRIPTION GENERAL TOLERANCES (UNLESS SPECIFIED)	10 UNDER ±0.2	DIMENSION STYLE MM ONLY	SCALE ---	DESIGN UNITS METRIC	THIRD ANGLE PROJECTION	
		10 OVER 30 UNDER ±0.25	DRAWN BY NKONDO	DATE 2012/09/10	TITLE 0.5 FPC CONN ZIF SMT R/A WITH TAPE EMBSTP PKG		
		30 OVER ±0.3	CHECKED BY KTAKAHASHI	DATE 2012/09/10			
		ANGULAR ±3 ° DRAFT WHERE APPLICABLE MUST REMAIN WITHIN DIMENSIONS	APPROVED BY KMORIKAWA	DATE 2013/03/15	MATERIAL NO. SEE CHART	DOCUMENT NO. SD-52435-023	SHEET NO. 1 OF 3

F

E

D

C

B

A

F

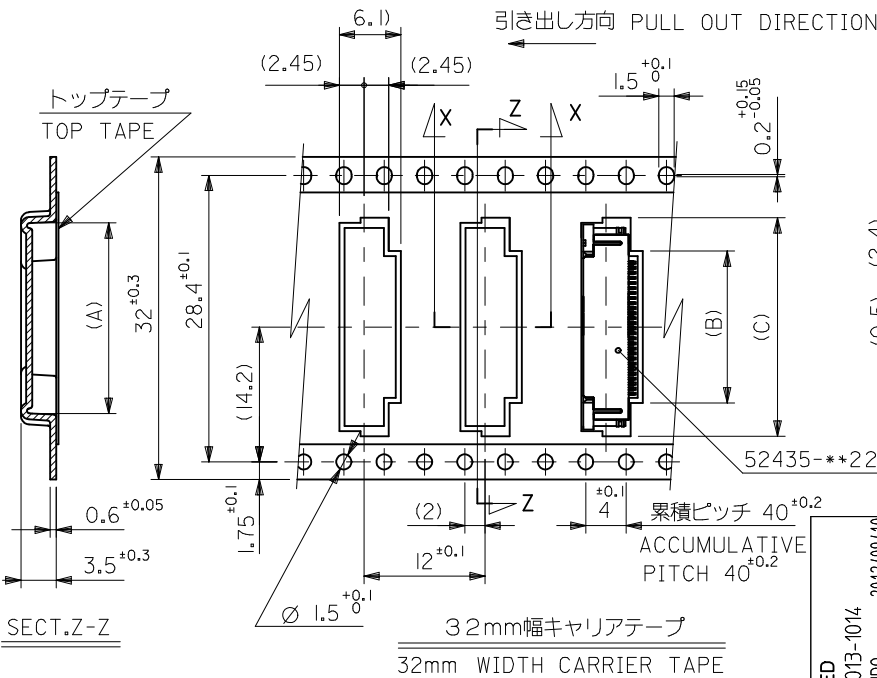
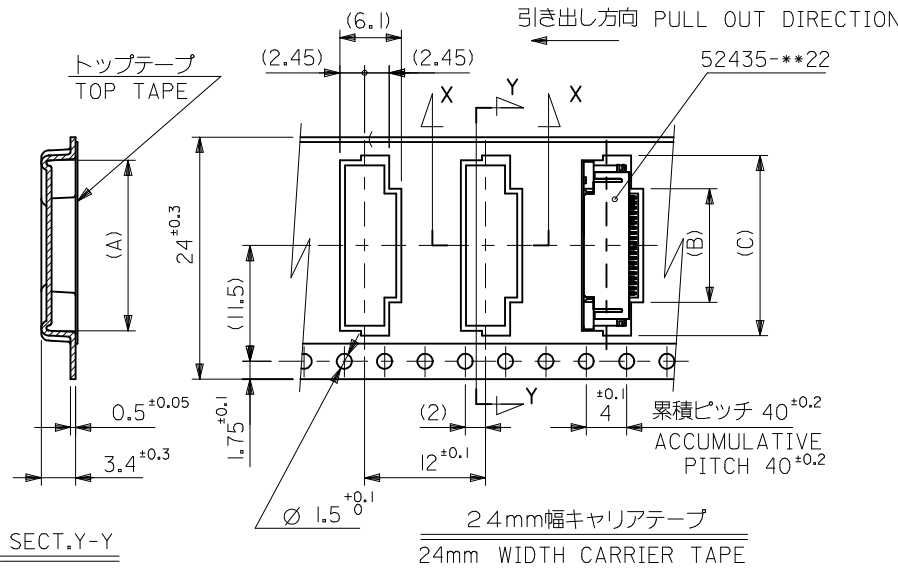
E

D

C

B

A

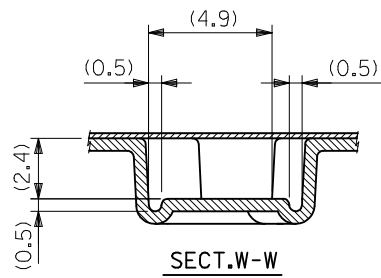
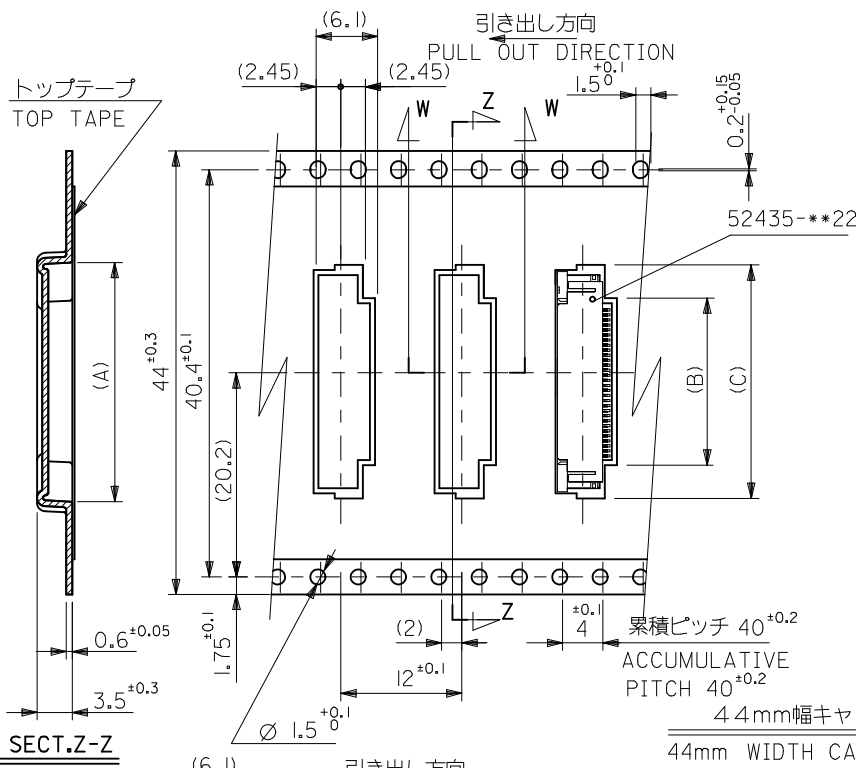


32	33.5	22.4	15.8	21.4	52435-2933	29
		21.9	15.3	20.9	-2833	28
		21.4	14.8	20.4	-2733	27
		20.9	14.3	19.9	-2633	26
		20.4	13.8	19.4	-2533	25
		19.9	13.3	18.9	-2433	24
		19.4	12.8	18.4	-2333	23
		18.9	12.3	17.9	52435-2233	22

キャリアテープ幅 CARRIER TAPE WIDTH	D	(C)	(B)	(A)	オーダー番号 ORDER NO.	極数 CIRCUIT
--------------------------------	---	-----	-----	-----	---------------------	---------------

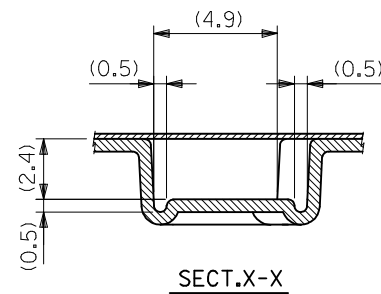
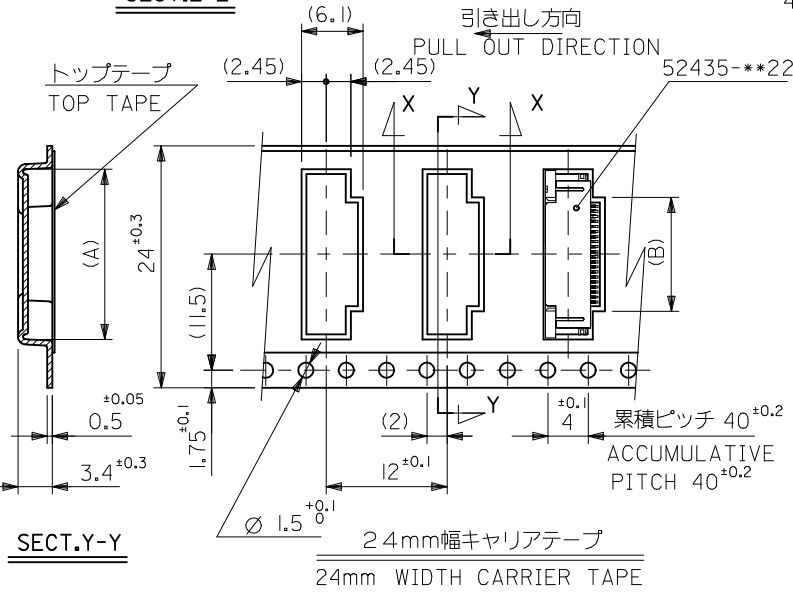
RELEASED	2013-1014	2012/09/10	GENERAL TOLERANCES (UNLESS SPECIFIED)
EC NO. J2013-1014	DRWN: NKONDO	2012/09/10	10 UNDER ±0.2
CHKD: TAKAHASHI	2012/09/10	2012/09/10	10 OVER 30 UNDER ±0.25
APPR: KMORIKAWA	2013/03/15	2013/03/15	30 OVER ±0.3
REV	DESCRIPTION		ANGULAR ±3 °
0			DRAFT WHERE APPLICABLE MUST REMAIN WITHIN DIMENSIONS

DIMENSION STYLE	SCALE	DESIGN UNITS	THIRD ANGLE PROJECTION
MM ONLY	---	METRIC	☉ □
DRAWN BY	DATE	TITLE	
NKONDO	2012/09/10	0.5 FPC CONN ZIF SMT R/A WITH TAPE EMBSTP PKG	
CHECKED BY	DATE	<b>molex</b>	
KTAKAHASHI	2012/09/10		
APPROVED BY	DATE	DOCUMENT NO.	SHEET NO.
KMORIKAWA	2013/03/15	SD-52435-023	2 OF 3
MATERIAL NO.	THIS DRAWING CONTAINS INFORMATION THAT IS PROPRIETARY TO MOLEX INCORPORATED AND SHOULD NOT BE USED WITHOUT WRITTEN PERMISSION		
SIZE	SEE CHART		
A3			



44	45.5	22.9	16.3	21.9	52435-3033	30
キャリアテープ幅 CARRIER TAPE WIDTH	D	(C)	(B)	(A)	オーダー番号 ORDER NO.	極数 CIRCUIT

44mm 幅キャリアテープ  
44mm WIDTH CARRIER TAPE



24	25.5	11.8	17.4	52435-2133	21
キャリアテープ幅 CARRIER TAPE WIDTH	D	(B)	(A)	オーダー番号 ORDER NO.	極数 CIRCUIT

24mm 幅キャリアテープ  
24mm WIDTH CARRIER TAPE

RELEASED EC NO: J2013-1014 DRWN: NKONDO 2012/09/10 CHKD: TAKAHASHI 2012/09/10 APPR: KMORIKAWA 2013/03/15	DESCRIPTION GENERAL TOLERANCES (UNLESS SPECIFIED) 10 UNDER ±0.2 10 OVER 30 UNDER ±0.25 30 OVER ±0.3 ANGULAR ±3 ° DRAFT WHERE APPLICABLE MUST REMAIN WITHIN DIMENSIONS	DIMENSION STYLE MM ONLY	SCALE ---	DESIGN UNITS METRIC	THIRD ANGLE PROJECTION		
		DRAWN BY NKONDO	DATE 2012/09/10	TITLE 0.5 FPC CONN ZIF SMT R/A WITH TAPE EMBSTP PKG			
		CHECKED BY KTAKAHASHI	DATE 2012/09/10	MATERIAL NO. SEE CHART			
		APPROVED BY KMORIKAWA	DATE 2013/03/15	DOCUMENT NO. SD-52435-023	SHEET NO. 3 OF 3		

