

注記NOTES

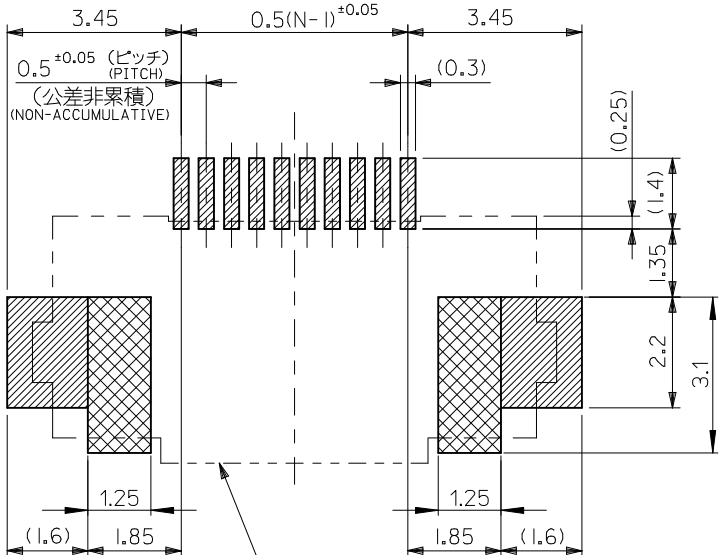
1. 使用材料 MATERIAL
 ハウジング : ポリアミド (PA)、ナチュラル(白色)、ガラス充填、UL94V-0
 HOUSING : POLYAMIDE ,NATURAL(WHITE) ,GLASS FILLED ,UL94V-0
 アクチュエータ : ポリフェニレンサルファイド(PPS)、ナチュラル(茶色)、ガラス充填、UL94V-0
 ACTUATOR : POLYPHENYLENE SULFIDE,NATURAL(BROWN),GLASS FILLED UL94V-0
 ターミナル : リン青銅(t=0.2)
 TERMINAL : PHOSPHOR BRONZE(t=0.2)
 金具 : リン青銅(t=0.2)
 FITTING NAIL : PHOSPHOR BRONZE(t=0.2)

2. メッキ仕様 PLATING
 ターミナル TERMINAL
 錫銀ビスマスマッキ(1.0 μm以上)
 下地メッキ: ニッケルメッキ(1.0 μm以上)
 TIN SILVER BISMUTH PLATING (1.0 μm MIN.)
 UNDER PLATING : NICKEL PLATING (1.0 μm MIN.)
 金具 NAIL
 錫系メッキ(1.0 μm以上)
 下地メッキ: ニッケルメッキ(1.0 μm以上)
 TIN BASED PLATING (1.0 μm MIN.)
 UNDER PLATING : NICKEL PLATING (1.0 μm MIN.)

- △3 パターンはくり止め用金具
FITTING NAIL FOR PREVENTION OF PEELING OF P.C.B PATTERN.
- △4 ソルダータール半田付け面のズレ量、及び金具はんだ付け面のズレ量は、基準面 Y に対し上方向0.05MAX、下方向0.2MAX、とする。
MISALIGNMENT OF SOLDER TAILS AND FITTING NAILS FROM Y UPPER DIRECTION : 0.05 MAX. LOWER DIRECTION : 0.2 MAX.
- △5 偶数極に適用。
APPLY FOR EVEN CIRCUIT.
- △6 R0.3は、FPCの導体部にかからないこと。
R0.3 MUST NOT BE OVERLAPPED TO PATTERN OF FPC.
- △7 18極以上は2か所、17極以下はハウジングセンターに1か所とする。
18 CKTS AND MOER THAN 18 CKTS PLACED 2 POINTS.
17 CKTS AND LESS THAN 17 CKTS PLACED 1 POINT ON HOUSING CENTER.
- 8. ソルダータールの平坦度は、0.10 MAXIMUMとする。
SOLDER TAIL COPLANARITY IS 0.10 MAXIMUM.
- 9. ELV及びRoHS適合品
ELV AND RoHS COMPLIANT.

19.6	15.5	15.3	14.5	52893-3033	52893-3022	30
18.6	14.5	14.3	13.5	52893-2833	52893-2822	28
17.6	13.5	13.3	12.5	52893-2633	52893-2622	26
16.6	12.5	12.3	11.5	52893-2433	52893-2422	24
15.6	11.5	11.3	10.5	52893-2233	52893-2222	22
15.1	11.0	10.8	10.0	52893-2133	52893-2122	21
14.6	10.5	10.3	9.5	52893-2033	52893-2022	20
13.6	9.5	9.3	8.5	52893-1833	52893-1822	18
12.6	8.5	8.3	7.5	52893-1633	52893-1622	16
12.1	8.0	7.8	7.0	52893-1533	52893-1522	15
11.6	7.5	7.3	6.5	52893-1433	52893-1422	14
11.1	7.0	6.8	6.0	52893-1333	52893-1322	13
10.6	6.5	6.3	5.5	52893-1233	52893-1222	12
10.1	6.0	5.8	5.0	52893-1133	52893-1122	11
9.6	5.5	5.3	4.5	52893-1033	52893-1022	10
8.6	4.5	4.3	3.5	52893-0833	52893-0822	8
D	C	B	(A)	EMBOSSD TAPE	MATERIAL NO.	極数 CIRCUIT
				ORDER No. オダー番号		

REVISED EC NO: J2016-0622 DRWN:SKITAZAWA 2015/12/11 CHKD:YKOBAYASHI 02/2016/02/15 APPR:TKUSUHARA01 2016/02/17	GENERAL TOLERANCES (UNLESS SPECIFIED)			DIMENSION STYLE MM ONLY		SCALE ---	DESIGN UNITS METRIC		THIRD ANGLE PROJECTION		
	0.25 UNDER	UNDER	±0.03	DRAWN BY JASANUMA	DATE 2013/08/21	TITLE 0.5 FPC CONN ASSY ZIF SMT RA BTM CONT E/O TYPE					
	0.25 OVER	0.5 UNDER	±0.05	CHECKED BY KTAKAHASHI	DATE 2013/12/05						
	0.5 OVER	1.0 UNDER	±0.1	APPROVED BY YNOGAWA	DATE 2014/01/10						
	1.0 OVER	10 UNDER	±0.2	MATERIAL NO.	DOCUMENT NO.						
10 OVER	30 UNDER	±0.25	SEE CHART		SD-52893-050		SHEET NO. 1 OF 2		THIS DRAWING CONTAINS INFORMATION THAT IS PROPRIETARY TO MOLEX ELECTRONIC TECHNOLOGIES, LLC AND SHOULD NOT BE USED WITHOUT WRITTEN PERMISSION		
30 OVER		±0.3	DRAFT WHERE APPLICABLE MUST REMAIN WITHIN DIMENSIONS		SIZE A3						

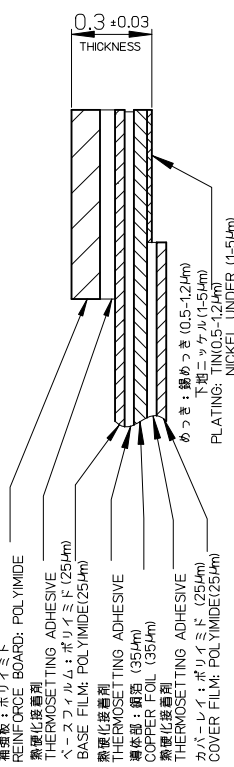


推奨基板レイアウト
RECOMMENDED P.C.BOARD
PATTERN DIMENSION (REF.)
(マウント面)
(MOUNTING SIDE)

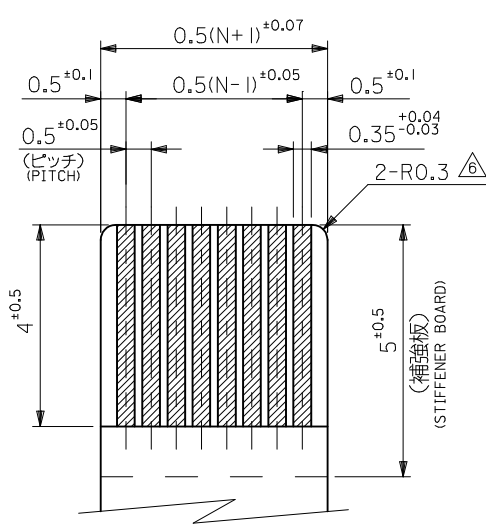
参考ペースト厚 : 100µm
参考マスク開口率 : 100%
REFERENCE SCREEN THICKNESS : 100µm
REFERENCE SCREEN OPEN RATIO : 100%

コネクタ位置
CONNECTOR POSITION

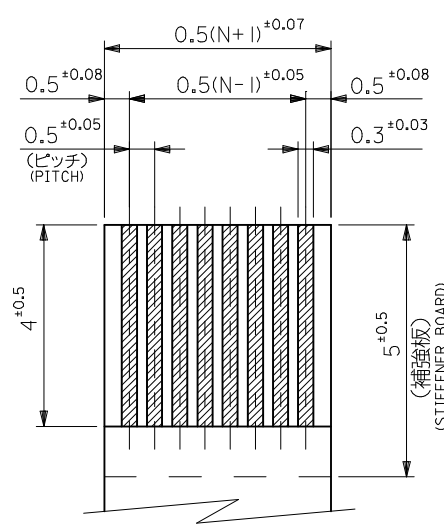
パターン禁止
NO PATTERN



FPC構成推奨仕様
STRUCTURE OF FPC



適合FPC推奨寸法
APPLICABLE FPC
RECOMMENDED DIMENSION
(仕上がり厚さ: 0.3±0.03)
(THICKNESS: 0.3±0.03)



適合FFC推奨寸法
APPLICABLE FFC
RECOMMENDED DIMENSION
(仕上がり厚さ: 0.3±0.03)
(THICKNESS: 0.3±0.03)

FPC/FFCについて ABOUT FPC/FFC
打ち抜き方向は導体側から補強板側を推奨します。
導体部については軟銅箔35µmまたは50µmを推奨します。
RECOMMENDED PUNCHING DIRECTION: FROM CONDUCTOR SIDE TO STIFFENER SIDE
RECOMMENDED CONDUCTOR SPEC: SOFT COPPER FOIL
RECOMMENDED CONDUCTOR THICKNESS: 35 MICROMETER OR 50 MICROMETER

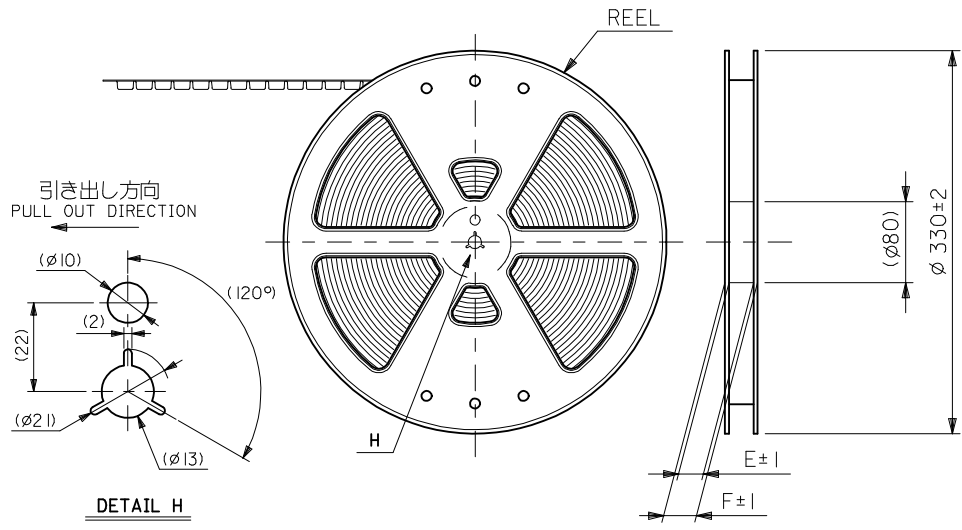
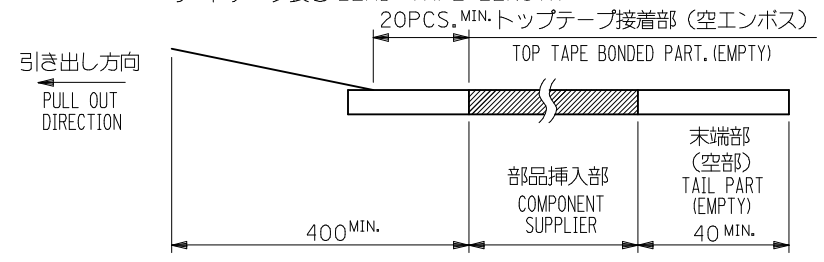
FPCについて ABOUT FPC
補強フィルム材質はポリイミドを推奨します。ベースフィルムは25µmを推奨します。
接着剤は熱硬化接着剤を推奨します。
尚、接着剤の接点部への付着は導通不良の原因になりますので、染み出しが無い様、お願い致します。
RECOMMENDED STIFFENER MATERIAL: POLYIMIDE
RECOMMENDED BASE FILM THICKNESS: 25 MICROMETER
RECOMMENDED ADHESIVE: THERMOSETTING ADHESIVE
NOTE: PLEASE PUT APPROPRIATE AMOUNT OF ADHESIVE ON ADHEREND BECAUSE THERE IS A POSSIBILITY THAT THE EXTRA ADHESIVE CAUSES THE DEFECT IN ELECTRICAL CONTINUITY.

52893-**22 MODEL NO.

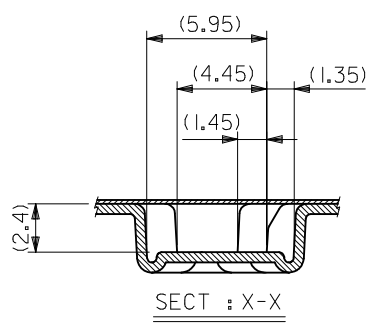
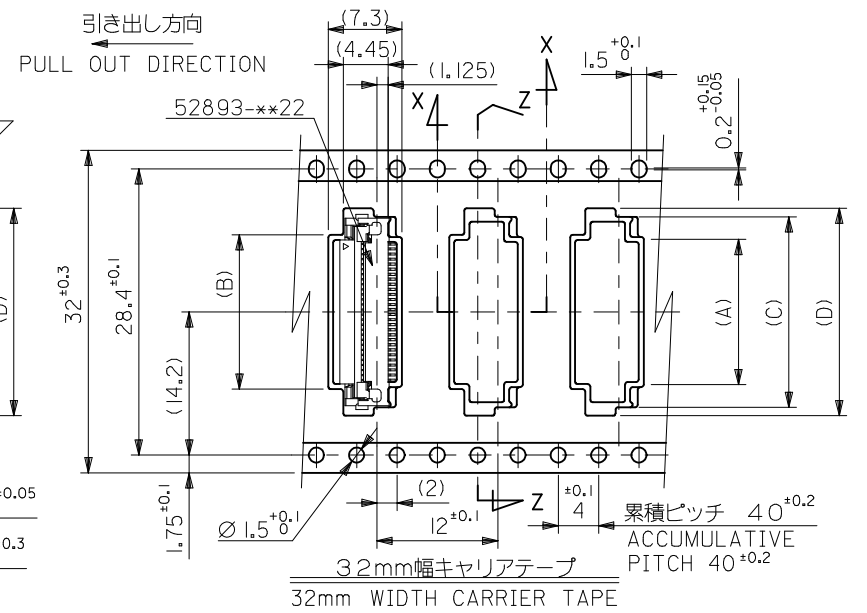
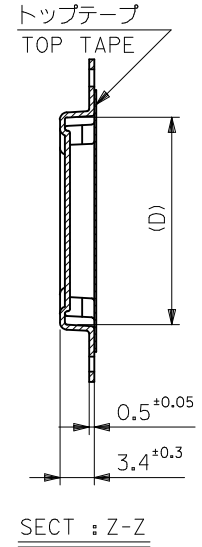
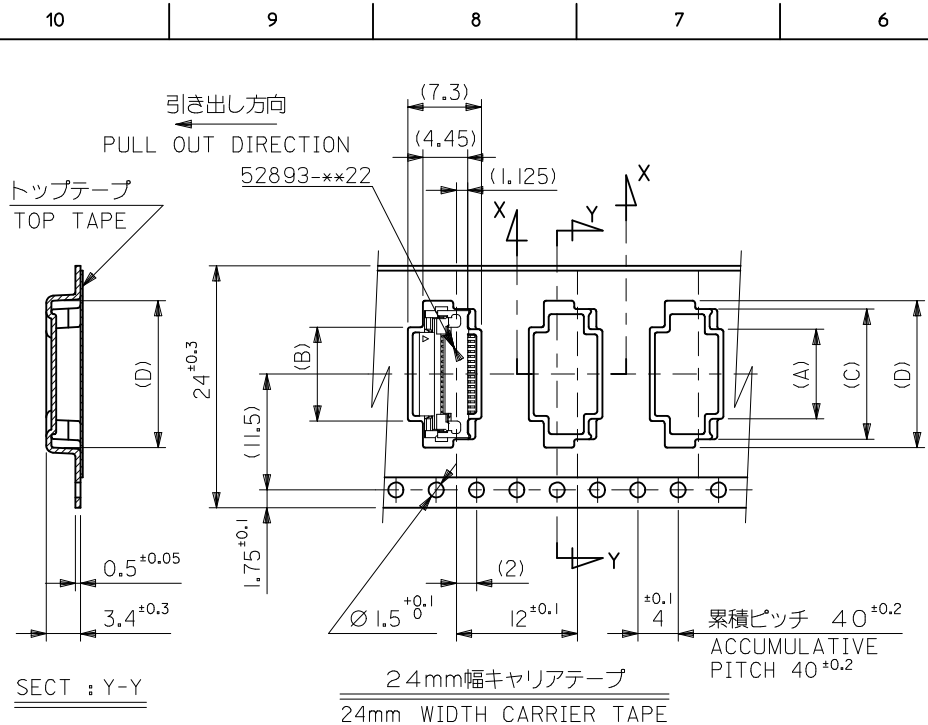
REVISED EC NO: J2016-0622 DRWN: SKITAZAWA 2015/12/11 CHKD: YKOBAYASHI 2016/02/15 APPR: KUSUHARA01 2016/02/17	GENERAL TOLERANCES (UNLESS SPECIFIED)		DIMENSION STYLE MM ONLY		SCALE ---	DESIGN UNITS METRIC	THIRD ANGLE PROJECTION
	0.25 UNDER	UNDER	±0.03	DRAWN BY JASANUMA	DATE 2013/08/21	TITLE 0.5 FPC CONN ASSY ZIF SMT RA BTM CONT E/O TYPE	
	0.25 OVER	0.5 UNDER	±0.05	CHECKED BY KTAKAHASHI	DATE 2013/12/05	molex	
	0.5 OVER	1.0 UNDER	±0.1	APPROVED BY YNOGAWA	DATE 2014/01/10		
	1.0 OVER	30 UNDER	±0.2	MATERIAL NO. SEE SHEET 1		DOCUMENT NO. SD-52893-050	SHEET NO. 2 OF 2
	10 OVER	30 UNDER	±0.25	THIS DRAWING CONTAINS INFORMATION THAT IS PROPRIETARY TO MOLEX ELECTRONIC TECHNOLOGIES, LLC AND SHOULD NOT BE USED WITHOUT WRITTEN PERMISSION			
30 OVER		±0.3	SIZE A3				
ANGULAR	±3 °		DRAFT WHERE APPLICABLE MUST REMAIN WITHIN DIMENSIONS				

注記 NOTES

- 製品詳細寸法については図面 SD-52893-050 を参照下さい。
RE DETAILED DIMENSION, SEE SD-52893-050
- 梱包数量：1000個/リール
NUMBER OF CONNECTORS : 1000PCS/REEL
- リードテープ長さ LEAD TAPE LENGTH
20PCS. MIN. トップテープ接着部 (空エンボス)
TOP TAPE BONDED PART. (EMPTY)
- カバーテープの剥離強度については、IEC60286-3に準拠。
COVER TAPE PEEL FORCE DEFINED BY IEC60286-3.
- 材料 キャリアテープ：ポリプロピレン (PP)
トップテープ：PET, PE, PEF
リール：ポリスチレン (PS) <リサイクル材を含む>
MATERIAL CARRIER TAPE: POLYPROPYLENE
TOP TAPE: PET, PE, PEF
REEL: POLYSTYRENE (PS)
<RECYCLE MATERIAL CONTAINED>
- ELV 及び RoHS 適合品
ELV AND RoHS COMPLIANT.



REVISED EC NO: J2016-0622 DRWN: SKITAZAWA 2015/12/11 CHKD: YKOBAYASHI 2016/02/15 APPR: IKUSUHARA01 2016/02/17	GENERAL TOLERANCES (UNLESS SPECIFIED)		DIMENSION STYLE MM ONLY		SCALE ---	DESIGN UNITS METRIC	MODEL NO. 52893-***33
	0.25 UNDER	UNDER	±0.03	DRAWN BY JASANUMA	DATE 2013/08/21	THIRD ANGLE PROJECTION	
	0.25 OVER	0.5 UNDER	±0.05	CHECKED BY KTAKAHASHI	DATE 2013/12/05	TITLE 0.5 FPC CONN ASSY ZIF SMT RA EO TYPE EMBSTP PK	
	0.5 OVER	1.0 UNDER	±0.1	APPROVED BY YNOGAWA	DATE 2014/01/10	DOCUMENT NO. SD-52893-051	
	1.0 OVER	10 UNDER	±0.2	MATERIAL NO. SEE CHART		SHEET NO. 1 OF 2	
	10 OVER	30 UNDER	±0.25	DRAFT WHERE APPLICABLE MUST REMAIN WITHIN DIMENSIONS		THIS DRAWING CONTAINS INFORMATION THAT IS PROPRIETARY TO MOLEX ELECTRONIC TECHNOLOGIES, LLC AND SHOULD NOT BE USED WITHOUT WRITTEN PERMISSION	
30 OVER		±0.3	SIZE A3				
ANGULAR	±--- °						



32	37.4	33.4	21.6	19.9	16.1	15.9	52893-3033	30				
			20.6	18.9	15.1	14.9	52893-2833	28				
			19.6	17.9	14.1	13.9	52893-2633	26				
			18.6	16.9	13.1	12.9	52893-2433	24				
			17.6	15.9	12.1	11.9	52893-2233	22				
			17.1	15.4	11.6	11.4	52893-2133	21				
			16.6	14.9	11.1	10.9	52893-2033	20				
			15.6	13.9	10.1	9.9	52893-1833	18				
			14.6	12.9	9.1	8.9	52893-1633	16				
			14.1	12.4	8.6	8.4	52893-1533	15				
24	29.4	25.4	13.6	11.9	8.1	7.9	52893-1433	14				
			13.1	11.4	7.6	7.4	52893-1333	13				
			12.6	10.9	7.1	6.9	52893-1233	12				
			12.1	10.4	6.6	6.4	52893-1133	11				
			11.6	9.9	6.1	5.9	52893-1033	10				
			10.6	8.9	5.1	4.9	52893-0833	8				
			キャリアテープ幅 CARRIER TAPE WIDTH		F	E	(D)	(C)	(B)	(A)	MATERIAL NO.	極数 CIRCUIT

REVISED EC NO: J2016-0622 DRWN:SKITAZAWA 2015/12/11 CHKD:YKOBAYASHI 02/2016/02/15 APPR:TKUSUHARA01 2016/02/17	DESCRIPTION	GENERAL TOLERANCES (UNLESS SPECIFIED)		DIMENSION STYLE		SCALE	DESIGN UNITS	THIRD ANGLE PROJECTION		
		0.25 UNDER UNDER ±0.03		MM ONLY		---	METRIC	◎ □		
		0.25 OVER 0.5 UNDER ±0.05		DRAWN BY DATE		TITLE				
		0.5 OVER 1.0 UNDER ±0.1		JASANUMA 2013/08/21		0.5 FPC CONN ASSY ZIF SMT RA EO TYPE EMBSTP PK				
		1.0 OVER 10 UNDER ±0.2		CHECKED BY DATE		molex				
		10 OVER 30 UNDER ±0.25		KTAKAHASHI 2013/12/05						
		30 OVER ±0.3		APPROVED BY DATE		MATERIAL NO.		DOCUMENT NO.		SHEET NO.
		ANGULAR ±---°		YNOGAWA 2014/01/10		SEE CHART		SD-52893-051		2 OF 2
		DRAFT WHERE APPLICABLE MUST REMAIN WITHIN DIMENSIONS		SIZE		THIS DRAWING CONTAINS INFORMATION THAT IS PROPRIETARY TO MOLEX ELECTRONIC TECHNOLOGIES, LLC AND SHOULD NOT BE USED WITHOUT WRITTEN PERMISSION				
		A		A3						