

PLUG

3	E2		
2	D		
1	E4		
SH.	REV.	LTR.	REVISIONS
E4	REVISED UCR1998-0148 WANG 98-04-15		
E3	ADD RAMP DIM'S ECN #U4 0293 3-1-94 RW		
E2	X-REMOVE ECR U3 0001 CVC 12/30/92 RW		
E1	REL. RED VERSIONS ECR U1 2167 CVC 1/24/92 RW		
E	REV. MATL CODE ECR # U90901 KBW 07-25-89 RW		
D	REV. & REDRAWN ECR U8 1858 GEP 11-21-88 RW		

DIMENSIONS SHOWN (METRIC) INCH		$\nabla = 0$	$\blacktriangledown = 0$	REVISE ONLY ON CAD SYSTEM																				
UNLESS OTHERWISE SPECIFIED TOLERANCES: ANGULAR $\pm .2^\circ$		TITLE <b>.093/(2.36) HOUSING, PLUG AND RECEPTACLE, 2 CKT., .264/(6.70) CTRS.</b>																						
<table border="1"> <tr> <th></th> <th>INCH</th> <th>METRIC</th> </tr> <tr> <td>3 PLACE</td> <td><math>\pm .010</math></td> <td>---</td> </tr> <tr> <td>2 PLACE</td> <td><math>\pm .014</math></td> <td><math>\pm 0.25</math></td> </tr> <tr> <td>1 PLACE</td> <td>---</td> <td><math>\pm 0.35</math></td> </tr> </table>			INCH	METRIC	3 PLACE	$\pm .010$	---	2 PLACE	$\pm .014$	$\pm 0.25$	1 PLACE	---	$\pm 0.35$	<table border="1"> <tr> <td>molex</td> <td>MOLEX INCORPORATED</td> <td>SHEET NO.</td> <td>DATE</td> </tr> <tr> <td>LITSL.E,ILL.</td> <td>60532</td> <td>1 of 3</td> <td>11/21/88</td> </tr> </table>			molex	MOLEX INCORPORATED	SHEET NO.	DATE	LITSL.E,ILL.	60532	1 of 3	11/21/88
	INCH	METRIC																						
3 PLACE	$\pm .010$	---																						
2 PLACE	$\pm .014$	$\pm 0.25$																						
1 PLACE	---	$\pm 0.35$																						
molex	MOLEX INCORPORATED	SHEET NO.	DATE																					
LITSL.E,ILL.	60532	1 of 3	11/21/88																					
DRAFT WHERE APPLICABLE MUST REMAIN WITHIN DIMENSIONS		PART NO. DRWG. NO.																						
DRWG. BY: GEP		SEE CHART SD-3191-2*																						
CHK'D. BY: RW		FILE NAME: S31912X1.DGN																						
APP'D. BY: RAS		SCALE: 2 : 1																						
		THIS DRAWING CONTAINS INFORMATION THAT IS PROPRIETARY TO MOLEX INC. AND SHOULD NOT BE USED WITHOUT WRITTEN PERMISSION.																						
		DIV. CP C																						



13	12	11	10	9	8	7	6	3191	4	3	2	1
PLUG		RECEPTACLE										
PART NO.	ENG. NO.	PART NO.	ENG. NO.									
19-09-2028	3191-2P	19-09-1029	3191-2R1									
19-09-2029	3191-2P1	19-09-1026	3191-2R1-201									
19-09-2027	3191-2P-201	19-09-1020	3191-2R1RD									
19-09-2026	3191-2P1-201	19-09-1021	3191-2R1BU									
19-09-2020	3191-2P1RD											
19-09-2021	3191-2P1BU											

**LEGEND:**

3191-2\*\*\*\*-\*

CIRCUIT SIZE

P = PLUG

R = RECEPTACLE

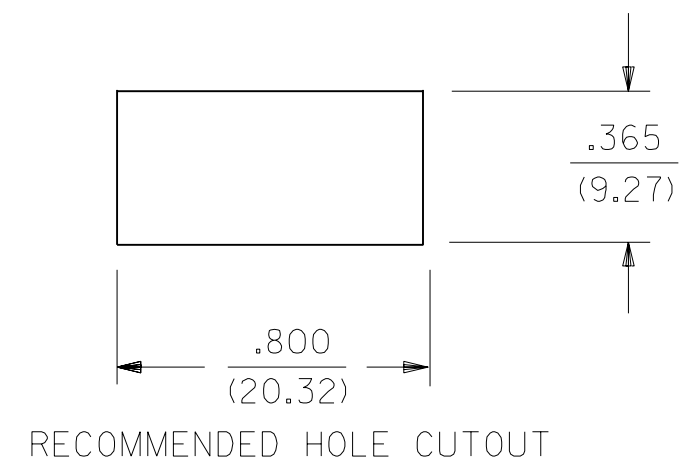
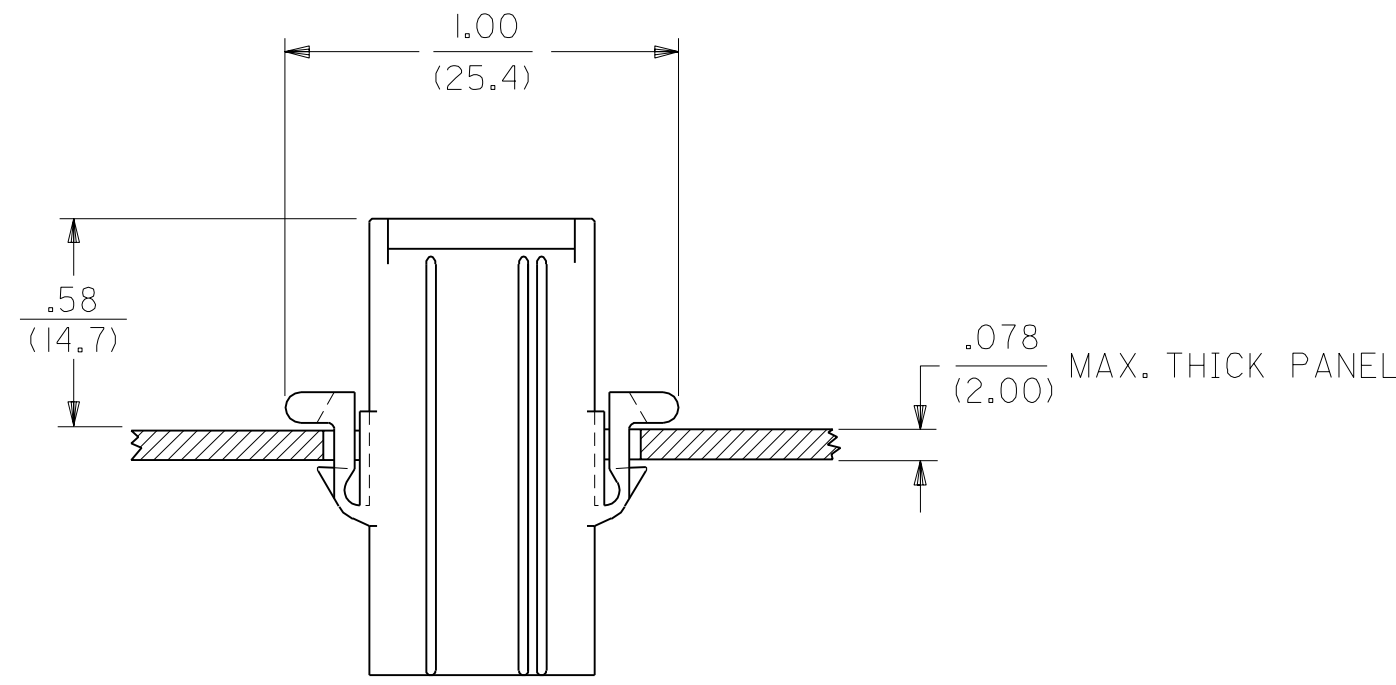
EARS: BLANK = WITH PREBENT EARS (PLUG ONLY)

I = WITHOUT EARS

COLOR: BLANK = NATURAL COLOR

AM=AMBER BK=BLACK BU=BLUE  
 BN=BROWN GY=GRAY GN=GREEN  
 OR=ORANGE RD=RED YW=YELLOW

MATERIAL: BLANK=NYLON TYPE 6/6, 94V-2  
 201=NYLON TYPE 6/6, 94V-0



NOTES:

1. THESE HOUSINGS FOR USE WITH MOLEX .093/(2.36) DIAMETER SERIES TERMINALS.

DIMENSIONS SHOWN (METRIC) INCH		UNLESS OTHERWISE SPECIFIED TOLERANCES: ANGULAR ± 10°		REVISIONS		REVISIONS		DRAFT WHERE APPLICABLE MUST REMAIN WITHIN DIMENSIONS		DRWG. NO.		DATE	
3 PLACE	± .010	---		E2	SEE SHEET I								
2 PLACE	± .014	± 0.25		E1	SEE SHEET I								
1 PLACE	---	± 0.35		E	SEE SHEET I								
				D	SEE SHEET I								
DRWG. BY	GEP	CHK'D. BY	RW	LTR.	REVISIONS	LTR.	REVISIONS	APP'D. BY	RAS	SCALE	---	---	---

▽ = 0 ▼ = 0 REVISE ONLY ON CAD SYSTEM

TITLE: .093/(2.36) HOUSINGS PLUG AND RECEPTACLE 2 CKT., .264/(6.70) CTRS.

MOLEX INCORPORATED LISLE, ILL. 60532 U.S.A.

SHEET NO. 3 DATE 11/21/88

PART NO. SD-3191-2\*

SEE CHART

THIS DRAWING CONTAINS INFORMATION THAT IS PROPRIETARY TO MOLEX INC. AND SHOULD NOT BE USED WITHOUT WRITTEN PERMISSION.

DIV. CP SIZE C