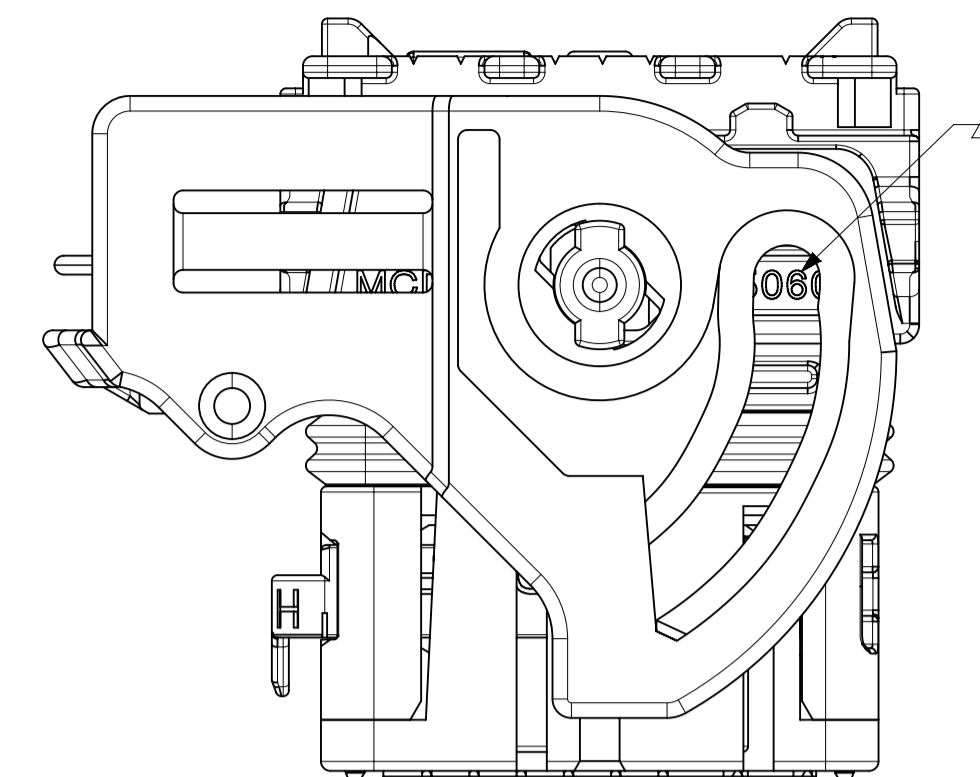
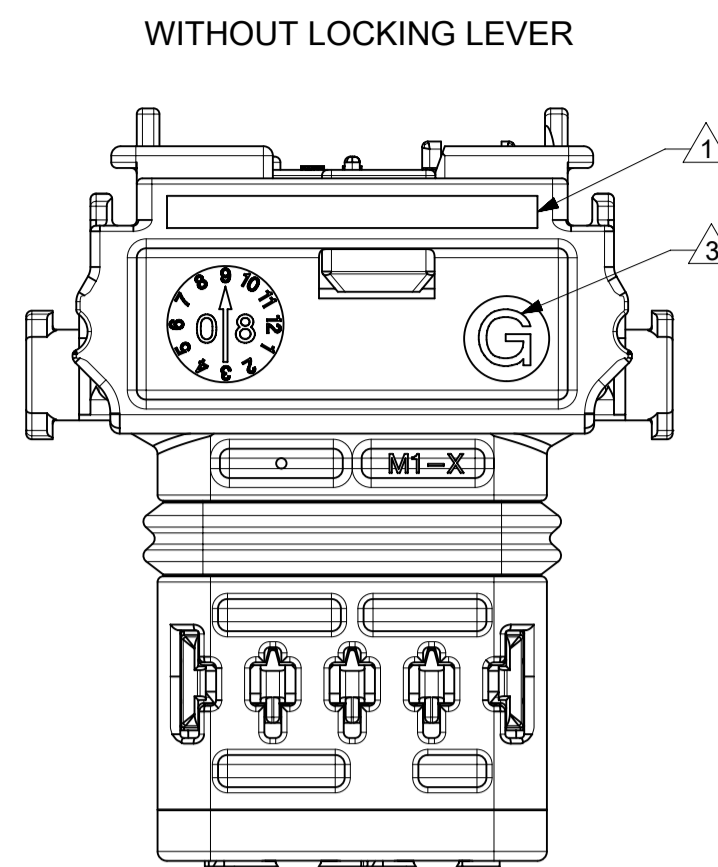


7	MAT SEAL	Silicon	RED
6	BACK GRID 24W	>PBT-GF20<	YELLOW
5	LOCKING LEVER 32W	>PBT-GF30<	BLACK
4	SECONDARY LOCK	>PBT-GF20<	GREEN
3	PERIPHERAL SEAL 32W	Silicon	BLUE
2	BACK PART	>PBT-GF20<	BLACK
1	FRONT PART	>PBT-GF20<	BLACK
POS.	DESIGNATION	MATERIAL	COLOR

MARKINGS :

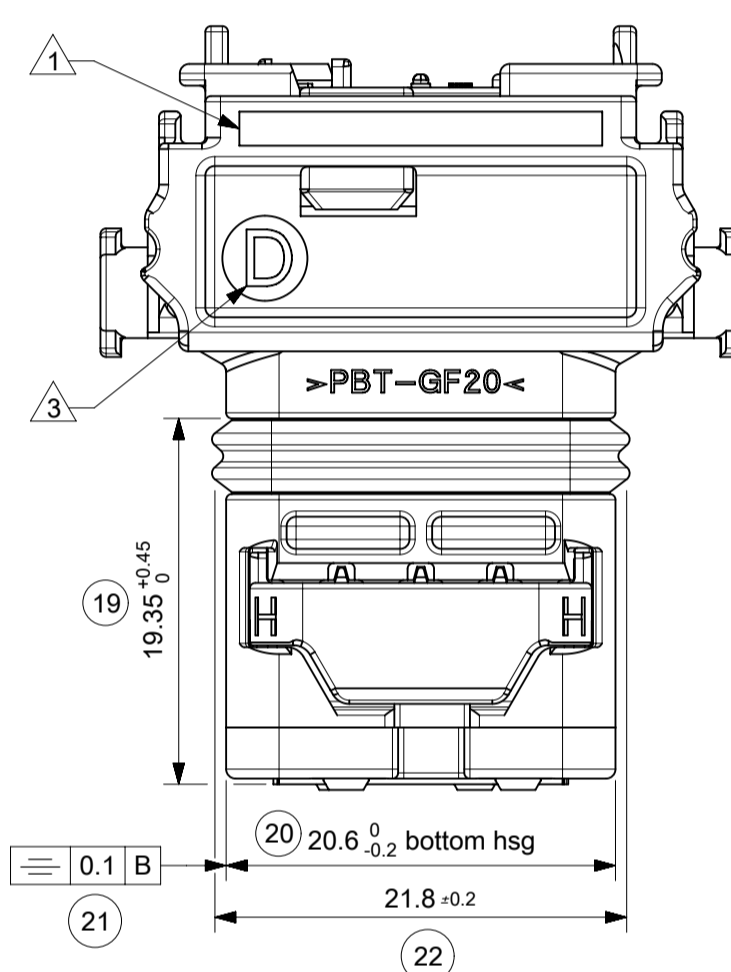
- Assembled part traceability:
Year + Day
- Terminal cavities identification
- Lever position indicator:
"D" LETTER VISIBLE = "RIGHT WIRE OUTPUT"
"G" LETTER VISIBLE = "LEFT WIRE OUTPUT"
- Supplier identification
- Material identification

LEFT WIRE OUTPUT

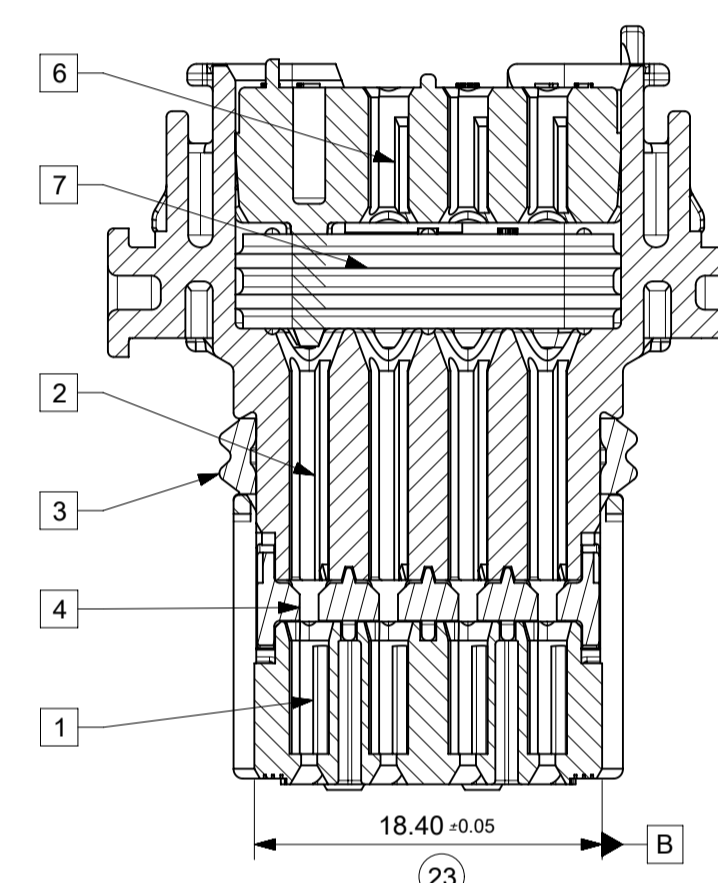


LEFT WIRE OUTPUT	
MATERIAL NUMBER	COLOR
0643192211	BLACK

WITHOUT LOCKING LEVER

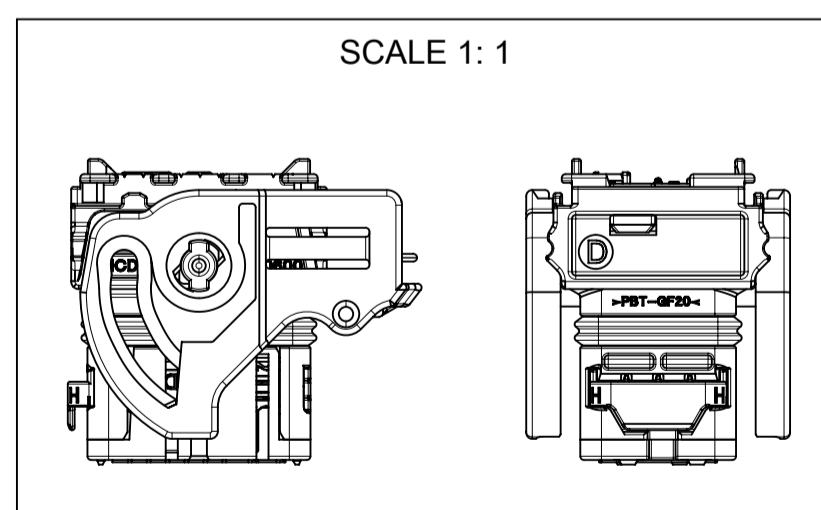


SECTION A-A
WITHOUT LOCKING LEVER



RIGHT WIRE OUTPUT	
MATERIAL NUMBER	COLOR
0643194211	BLACK

SCALE 1:1



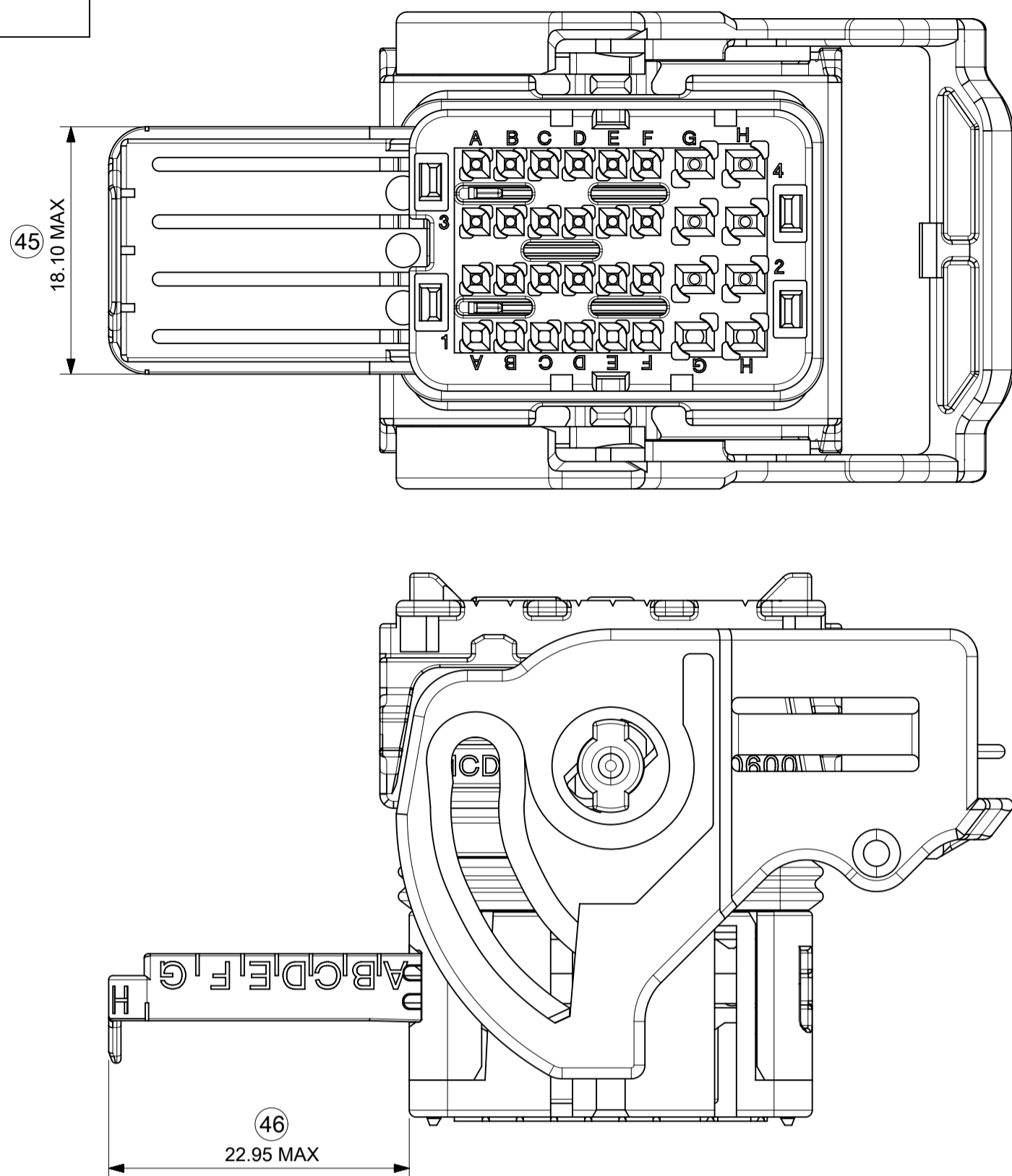
NOTES:

- FOR ILLUSTRATION PURPOSE THE FEMALE HOUSING SHOWN IS THE RIGHT WIRE OUTPUT
- APPLICATION SPECIFICATION: AS-64319-002
- WIRES EXTERNAL DIAMETER USED:
FOR CP0.6 TERMINAL: USE WIRES WITH AN EXTERNAL DIAMETER BETWEEN Ø1.25MM MIN AND Ø1.90MM MAX
FOR CP1.5 TERMINAL: USE WIRES WITH AN EXTERNAL DIAMETER BETWEEN Ø1.40MM MIN AND Ø2.80MM MAX
- THE CONNECTOR FITS WITH WIRE CAP (32 WAY) MOLEX P/N 0643191201
- BLIND PLUG FOR CP 0.6 AND 1.5 CAVITIES (MOLEX P/N 0643251010 AND 0643251023) MUST BE USED ON THIS PART
- DELIVERED PRODUCT WEIGHT: 27.6 g

THIS DRAWING CONTAINS INFORMATION THAT IS PROPRIETARY TO MOLEX ELECTRONIC TECHNOLOGIES, LLC AND SHOULD NOT BE USED WITHOUT WRITTEN PERMISSION		CURRENT REV DESC: NX RE-MASTERING			
DIMENSION UNITS	SCALE	EC NO: 625008			
mm	2.5:1	DRWN: PBOSQUAIN 2019/09/11		CMC CONNECTOR 24 WAY MAT SEAL VERSION	
GENERAL TOLERANCES (UNLESS SPECIFIED)		CHK'D: CBOUCHAN 2019/10/02		PRODUCT CUSTOMER DRAWING	
ANGULAR TOL	± 2.0°	APPR: SLAFAURE 2019/10/07		DOCUMENT NUMBER	
4 PLACES	±	INITIAL REVISION:		DOC TYPE DOC PART REVISION	
3 PLACES	±	DRWN: PBOSQUAIN 2019/09/11		643190003	
2 PLACES	± 0.1	APPR: SLAFAURE 2019/10/07		PSD 000 A	
1 PLACE	± 0.1	DRAFT WHERE APPLICABLE MUST REMAIN WITHIN DIMENSIONS		MATERIAL NUMBER	
0 PLACES	±	FIRST ANGLE PROJECTION		CUSTOMER	
		DRAWING		SHEET NUMBER	
		A1-SIZE 64319		1 OF 2	
		SERIES		GENERAL MARKET	
		SEE TABLE			

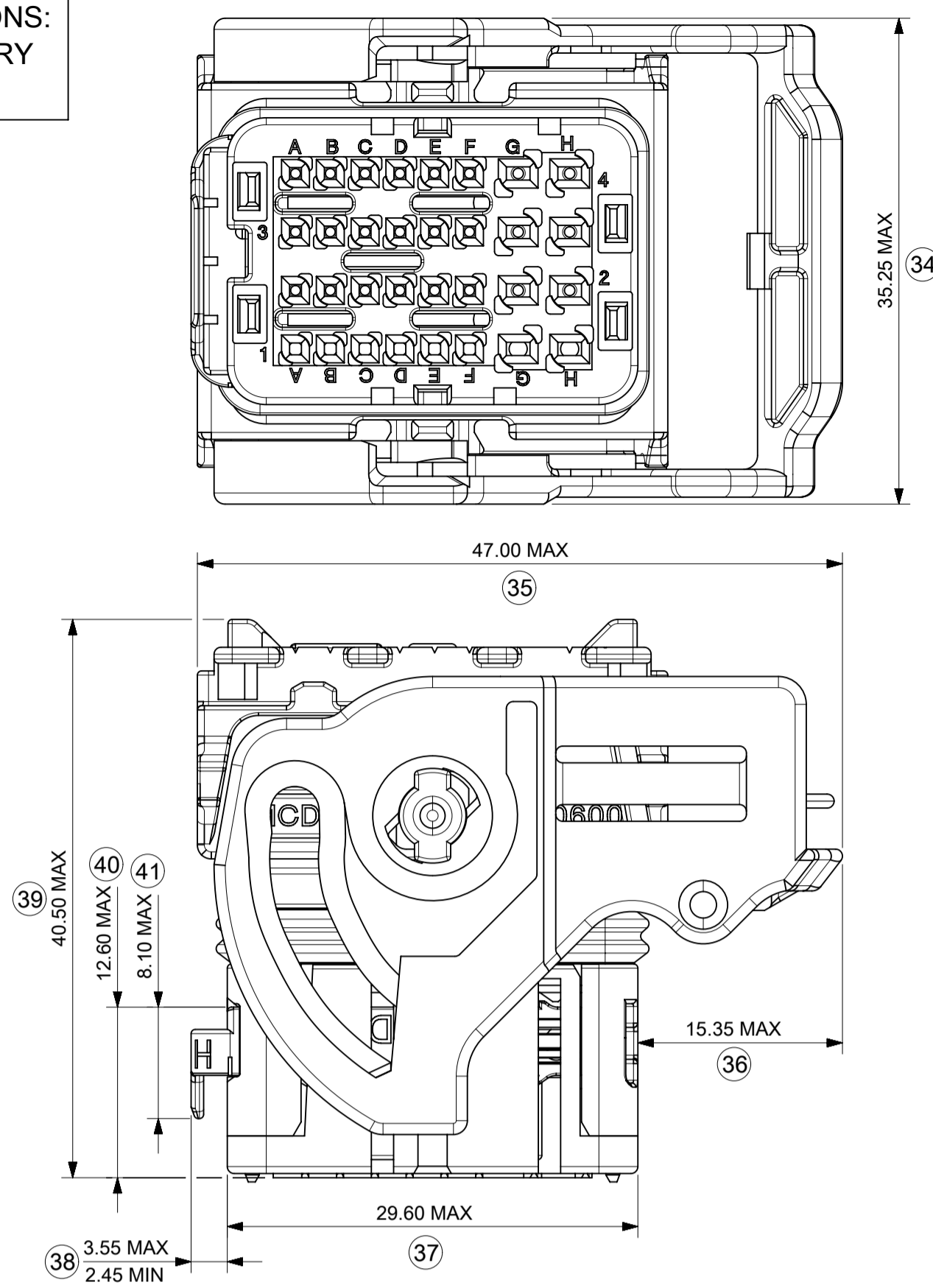
CONNECTOR OVERALL DIMENSIONS:
SECONDARY LOCKING FULLY OPENED
FOR TERMINALS INSERTION

RIGHT WIRE OUTPUT

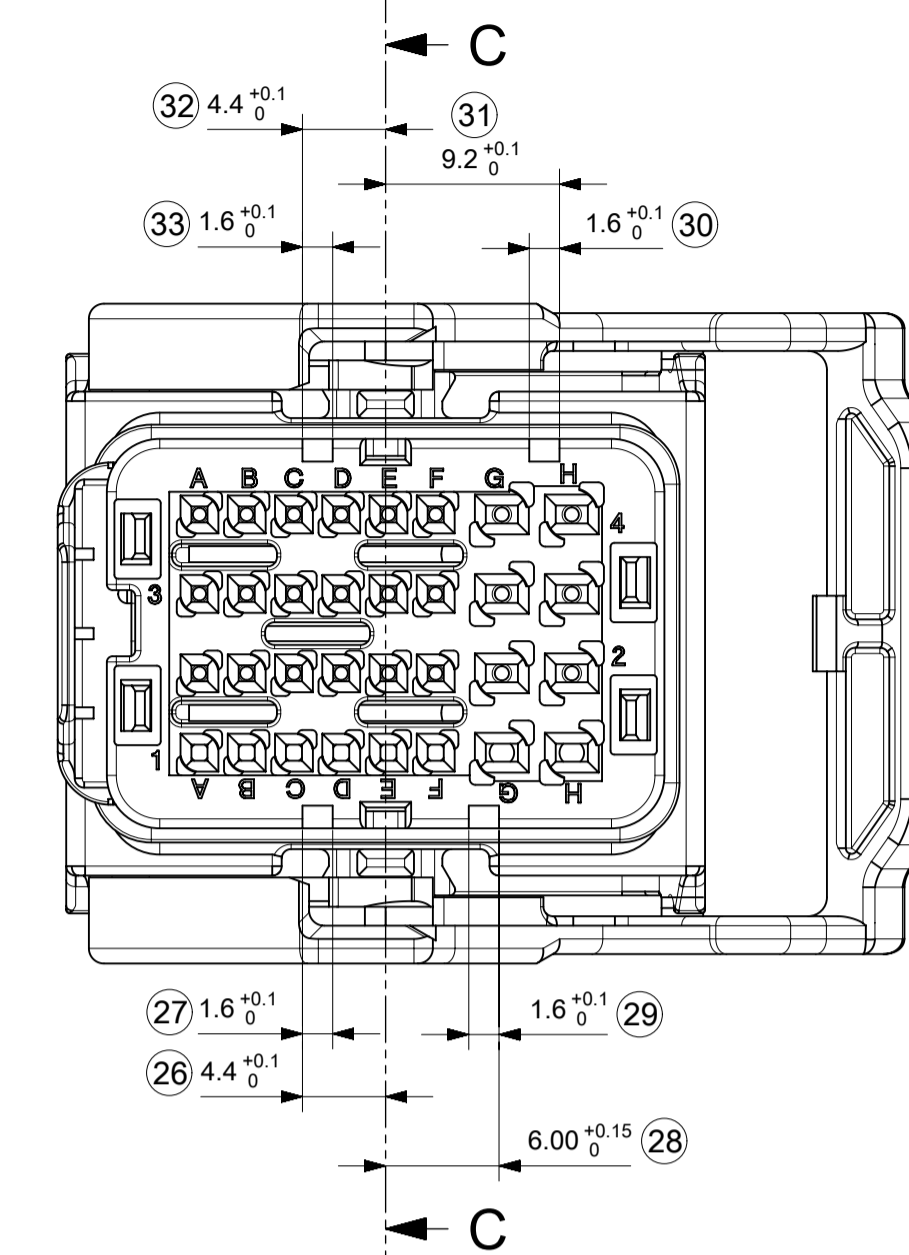


CONNECTOR OVERALL DIMENSIONS:
SECONDARY LOCKING IN DELIVERY
POSITION

RIGHT WIRE OUTPUT

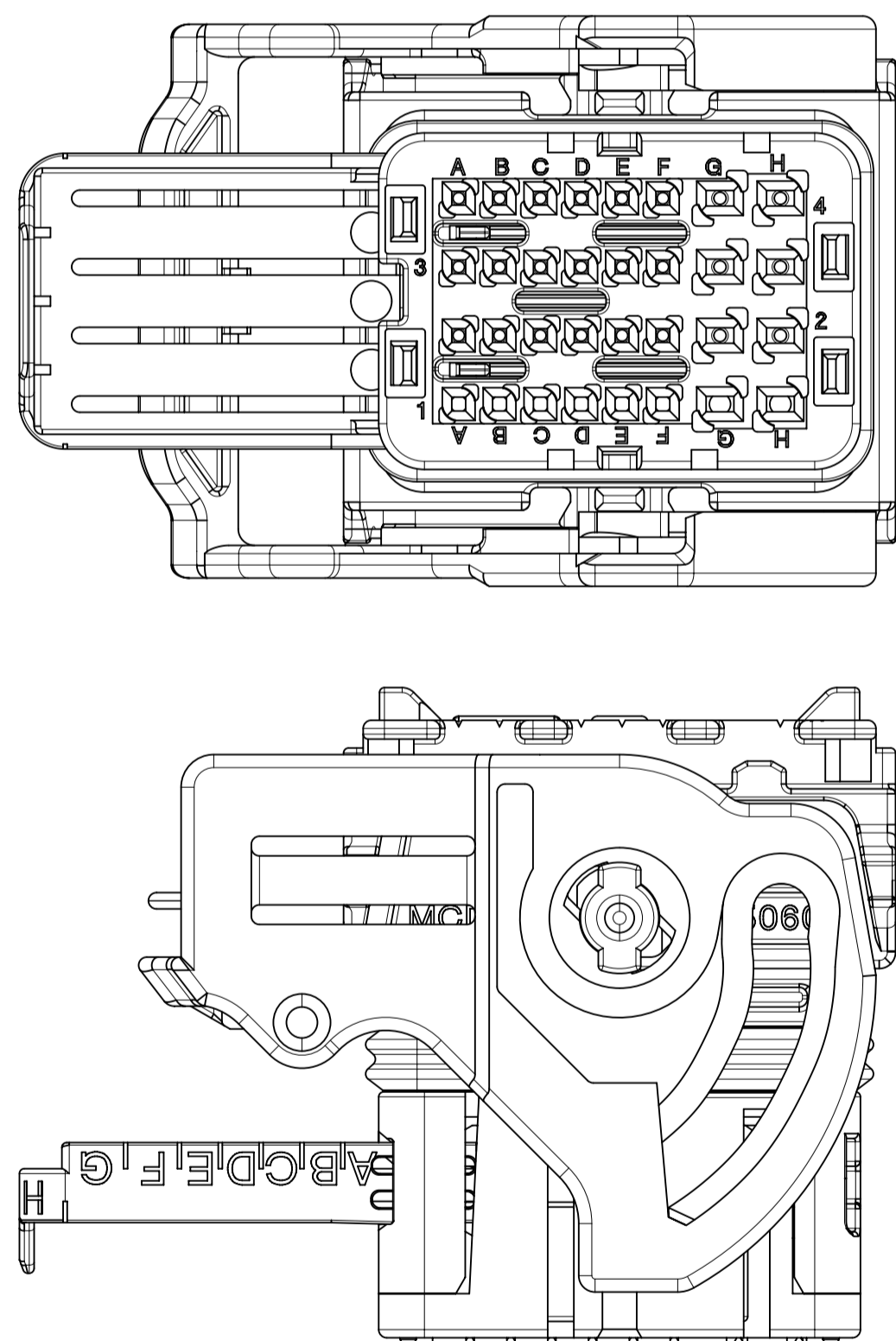


CODING POSITION



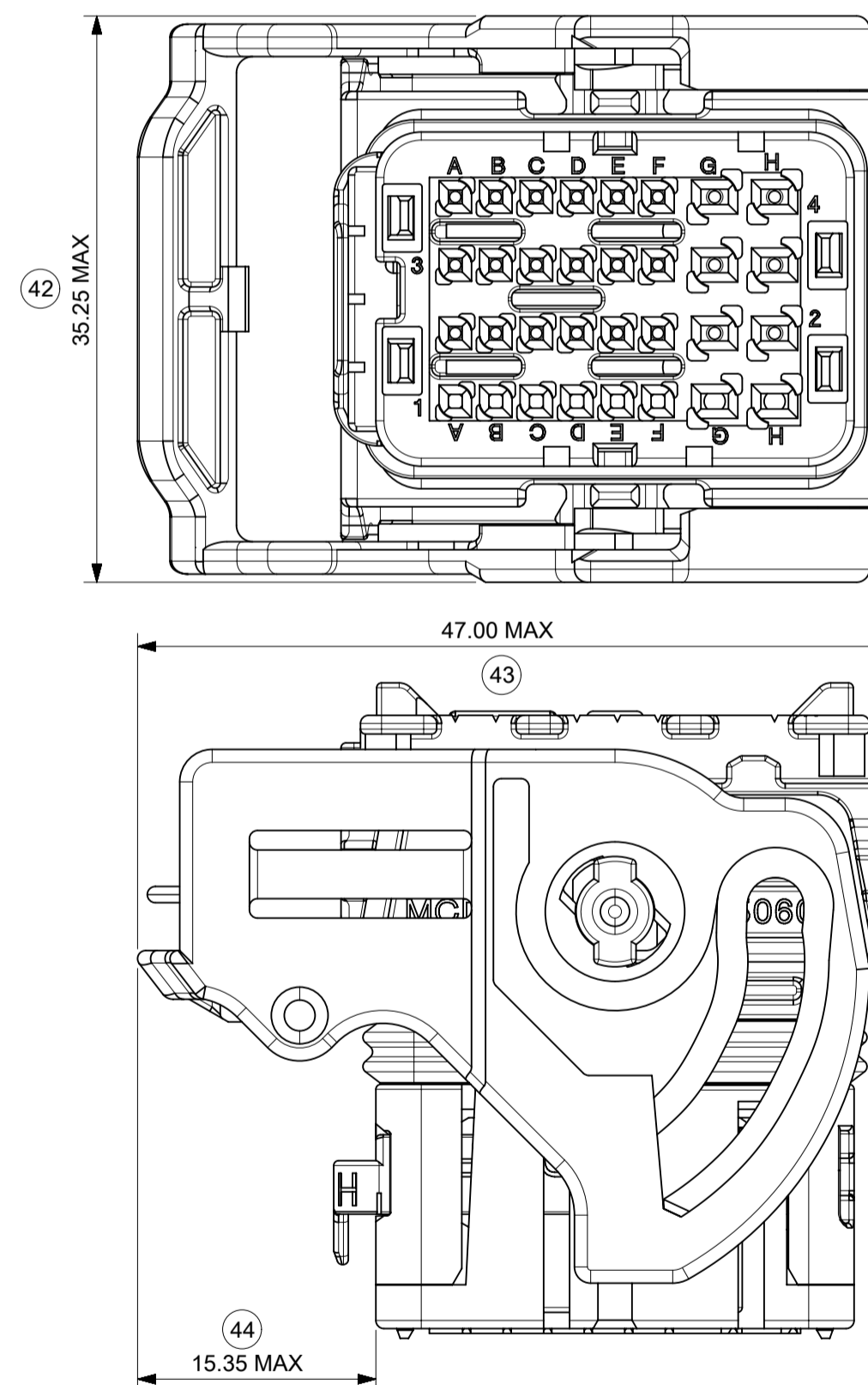
CONNECTOR OVERALL DIMENSIONS:
SECONDARY LOCKING FULLY OPENED
FOR TERMINALS INSERTION

LEFT WIRE OUTPUT

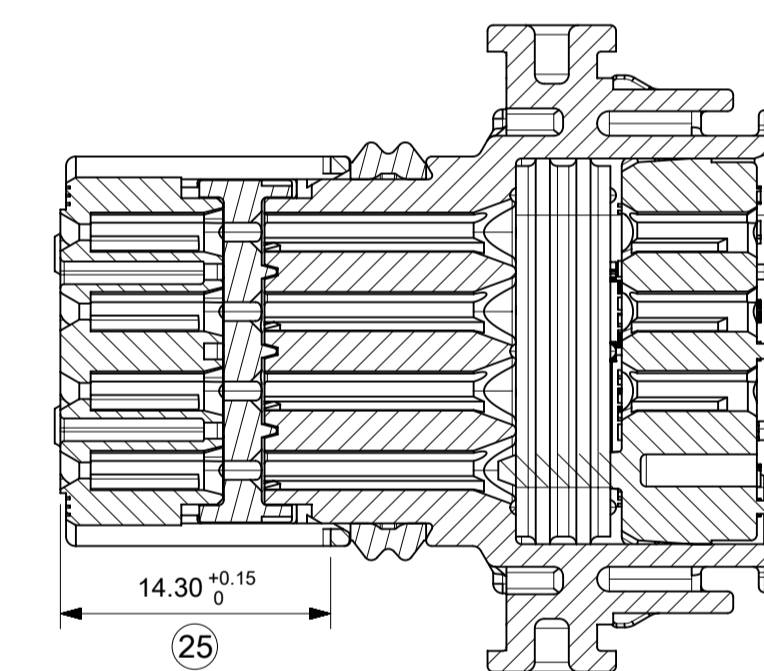


CONNECTOR OVERALL DIMENSIONS:
SECONDARY LOCKING IN DELIVERY
POSITION

LEFT WIRE OUTPUT



SECTION C-C
LOCKING LEVER NOT SHOWN



CAVITY N°	TERMINALS USED			
	FEMALE TERMINALS (Section mm2)	PLATING	MOLEX P/N	min / MAX WIRE INSULATION DIAMETER (mm)
A2 to A4 B2 to B4 C2 to C4 D2 to D4 E2 to E4 F2 to F4	CP 0.6 0.35mm2	Tin plated	0643221019	∅1.25 min / ∅1.40 Max
		Gold plated	0643221229	
	CP 0.6 0.5mm2	Tin plated	0643221039	∅1.40 min / ∅1.70 Max
		Gold plated	0643221239	
G2 to G4 H2 to H4	CP 0.6 0.75mm2	Tin plated	0643221029	∅1.60 min / ∅1.90 Max
		Gold plated	0643221219	
	CP 1.5 0.5mm2 to 1mm2	Tin plated	0643231029	∅1.40 min / ∅2.15 Max
		Gold plated	0643231319	
	CP 1.5 >1mm2 to 2mm2	Tin plated	0643231039	∅2.10 min / ∅2.80 Max
		Gold plated	0643231219	

THIS DRAWING CONTAINS INFORMATION THAT IS PROPRIETARY TO MOLEX ELECTRONIC TECHNOLOGIES, LLC AND SHOULD NOT BE USED WITHOUT WRITTEN PERMISSION

DIMENSION UNITS: mm SCALE: 2.5:1

GENERAL TOLERANCES (UNLESS SPECIFIED)

ANGULAR TOL ± 2.0°
4 PLACES ±
3 PLACES ±
2 PLACES ± 0.1
1 PLACE ± 0.1
0 PLACES ±

DRAFT WHERE APPLICABLE MUST REMAIN WITHIN DIMENSIONS

CURRENT REV DESC: NX RE-MASTERING

EC NO: 625008
DRWN: PBOSQUAIN 2019/09/11
CHK'D: CBOUCHAN 2019/10/02
APPR: SLAFAURE 2019/10/07
INITIAL REVISION:
DRWN: PBOSQUAIN 2019/09/11
APPR: SLAFAURE 2019/10/07

FIRST ANGLE PROJECTION DRAWING SERIES: A1-SIZE 64319

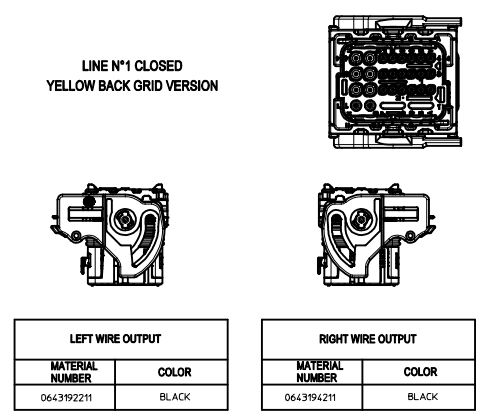
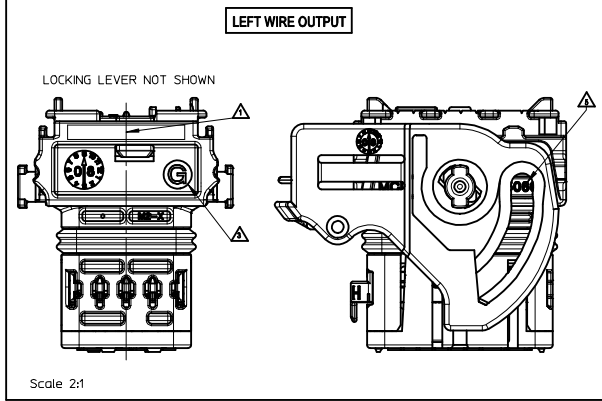
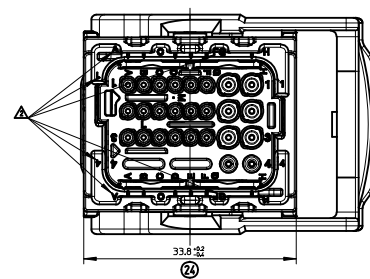
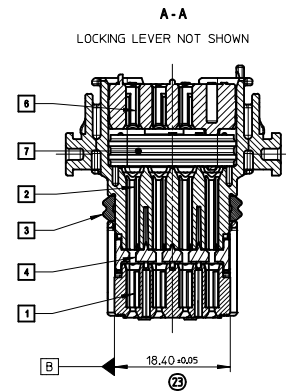
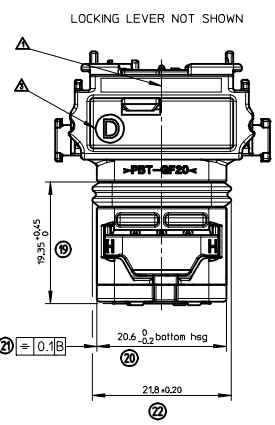
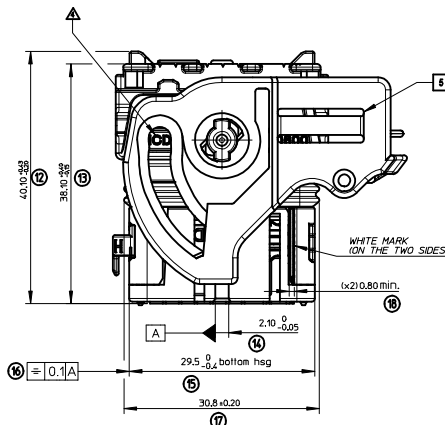
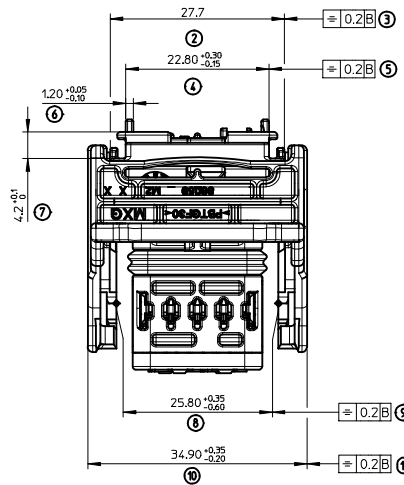
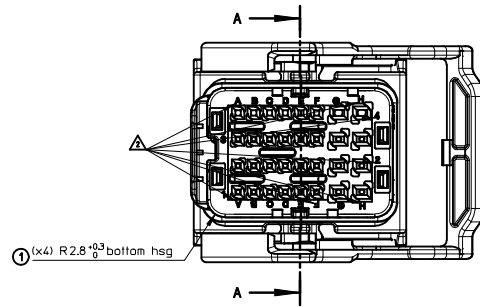
molex

CMC CONNECTOR 24 WAY
MAT SEAL VERSION

PRODUCT CUSTOMER DRAWING

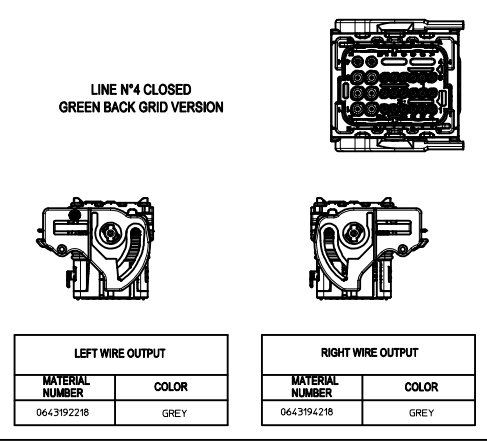
DOCUMENT NUMBER: 643190003
DOC TYPE: PSD
DOC PART: 000
REVISION: A

MATERIAL NUMBER: SEE TABLE
CUSTOMER: GENERAL MARKET
SHEET NUMBER: 2 OF 2



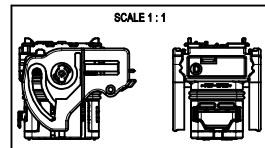
LEFT WIRE OUTPUT	
MATERIAL NUMBER	COLOR
0643192211	BLACK

RIGHT WIRE OUTPUT	
MATERIAL NUMBER	COLOR
0643194211	BLACK



LEFT WIRE OUTPUT	
MATERIAL NUMBER	COLOR
0643192218	GREY

RIGHT WIRE OUTPUT	
MATERIAL NUMBER	COLOR
0643194218	GREY



NOTES:

- FOR ILLUSTRATION PURPOSE THE FEMALE HOUSING SHOWN IS THE RIGHT WIRE OUTPUT VERSION (CODING 1)
- APPLICATION SPECIFICATION: AS-64319-002
- WIRES EXTERNAL DIAMETER USED:
FOR CP0.6 TERMINAL: USE WIRES WITH AN EXTERNAL DIAMETER BETWEEN Ø1.25MM MIN AND Ø1.50MM MAX
FOR CP1.5 TERMINAL: USE WIRES WITH AN EXTERNAL DIAMETER BETWEEN Ø1.40MM MIN AND Ø2.80MM MAX
- THE CONNECTOR FITS WITH WIRE CAP (32 WAY) MOLEX P/N 0643191201
- BLIND PLUG FOR 0.6 AND 1.5 CAVITIES (MOLEX P/N 0643251010 AND 0643251023) MUST BE USED ON THIS PART.
- DELIVERED PRODUCT WEIGHT: 27.6 g

POS.	DESIGNATION	MATERIAL	COLOR
7	MAT SEAL	Silicon	RED
8	BACK GRID 24W	>PBT-GF20<	COLOR LINKED TO LINE CLOSED
9	LOCKING LEVER 32W	>PBT-GF30<	BLACK
4	SECONDARY LOCK	>PBT-GF20<	GREEN
9	PERIPHERAL SEAL 32W	Silicon	BLUE
2	BACK PART	>PBT-GF20<	BLACK
1	FRONT PART	>PBT-GF20<	COLOR LINKED TO KEYING

MARKINGS :

- ▲ - Assembled part traceability: Day + Year
- ▲ - Terminal cavities identification
- ▲ - Lever position indicator: 'D' LETTER VISIBLE = part with "LEVER ON THE RIGHT" 'G' LETTER VISIBLE = part with "LEVER ON THE LEFT"
- ▲ - Supplier identification
- ▲ - Material identification

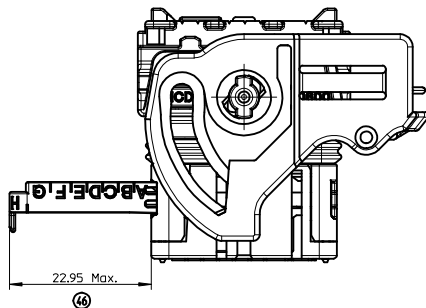
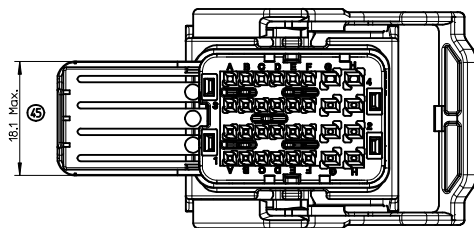
REVISED EC NO: G2017-0100 MDRWINGESBROUWERES 2017/05/15 CHYKDCBOUCHAN 2017/05/15 APPR.SL.AFAURE 2017/08/01 REVISIONS DESCRIPTION	QUALITY SYMBOLS 4 PLACES ± --- ± --- 3 PLACES ± --- ± --- 2 PLACES ± 0.1 ± --- 1 PLACE ± 0.1 ± --- 0 PLACE ± --- ± ---	GENERAL TOLERANCES (UNLESS SPECIFIED) mm INCH 4 PLACES ± --- ± --- 3 PLACES ± --- ± --- 2 PLACES ± 0.1 ± --- 1 PLACE ± 0.1 ± --- 0 PLACE ± --- ± ---	DIMENSION STYLE MM ONLY DRAWN BY DATE T. BADAROUX 2008/05/23 CHECKED BY DATE P. GRANDCLAUD 2008/05/23 APPROVED BY DATE C. BOUCHAN 2008/05/23	SCALE 2.5:1 DESIGN UNITS METRIC	FIRST ANGLE PROJECTION
	DRAFT WHERE APPLICABLE MUST REMAIN WITHIN DIMENSIONS		DIMENSION STYLE MM ONLY DRAWN BY DATE T. BADAROUX 2008/05/23 CHECKED BY DATE P. GRANDCLAUD 2008/05/23 APPROVED BY DATE C. BOUCHAN 2008/05/23	SCALE 2.5:1 DESIGN UNITS METRIC	FIRST ANGLE PROJECTION
	MATERIAL NO. SEE CHART		DIMENSION STYLE MM ONLY DRAWN BY DATE T. BADAROUX 2008/05/23 CHECKED BY DATE P. GRANDCLAUD 2008/05/23 APPROVED BY DATE C. BOUCHAN 2008/05/23	SCALE 2.5:1 DESIGN UNITS METRIC	FIRST ANGLE PROJECTION
	MATERIAL NO. SEE CHART		DIMENSION STYLE MM ONLY DRAWN BY DATE T. BADAROUX 2008/05/23 CHECKED BY DATE P. GRANDCLAUD 2008/05/23 APPROVED BY DATE C. BOUCHAN 2008/05/23	SCALE 2.5:1 DESIGN UNITS METRIC	FIRST ANGLE PROJECTION

CMC CONNECTOR 24 WAY
MAT SEAL VERSION
GENERIC
molex

DOCUMENT NO. SD-64319-003
SHEET NO. 1 OF 2

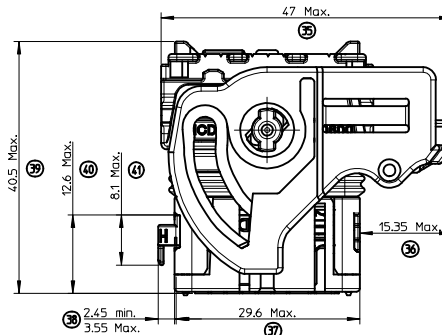
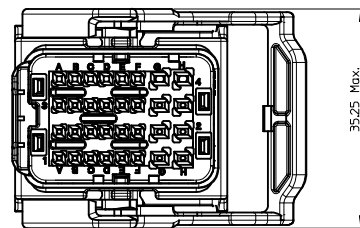
CONNECTOR OVERALL DIMENSIONS:
SECONDARY LOCKING FULLY OPENED
FOR TERMINALS INSERTION

RIGHT WIRE OUTPUT

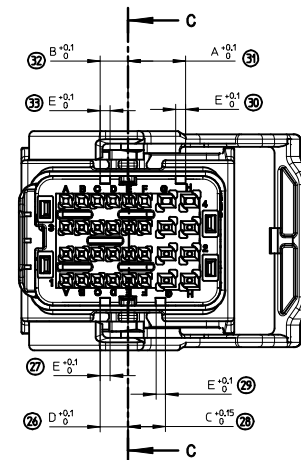


CONNECTOR OVERALL DIMENSIONS:
SECONDARY LOCKING IN DELIVERY
POSITION

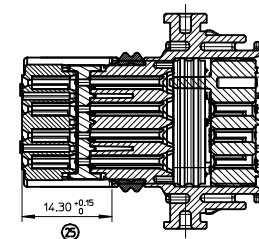
RIGHT WIRE OUTPUT



CODING POSITION



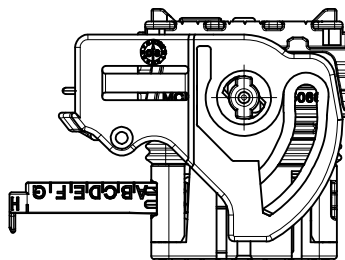
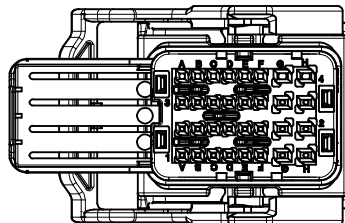
C - C
LOCKING LEVER NOT SHOWN



COLOR	CODING	A	B	C	D	E
BLACK	1	9.2	4.4	6	4.4	1.6
GREY	2	7.6	6	9.2	6	1.6
BROWN	3	6	7.6	9.2	9.2	1.6
BLUE	5	4.4	7.6	6	6	1.6

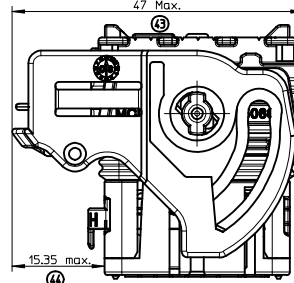
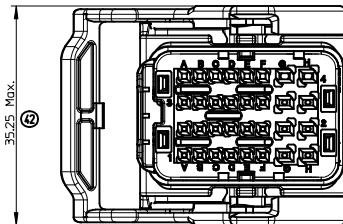
CONNECTOR OVERALL DIMENSIONS:
SECONDARY LOCKING FULLY OPENED
FOR TERMINALS INSERTION

LEFT WIRE OUTPUT



CONNECTOR OVERALL DIMENSIONS:
SECONDARY LOCKING IN DELIVERY
POSITION

LEFT WIRE OUTPUT



TERMINALS USED

CAVITY #	FEMALE TERMINALS (Section mm2)	PLATING	MOLEX PIN#	min / MAX WIRE INSULATION DIAMETER (mm)
A1 to F1 A2 to F2 A3 to F3 A4 to F4	CP 0,6 0,35mm2	Tin plated	0643221019	Ø125 min / Ø140 Max
		Gold plated	0643221229	
	CP 0,6 0,5mm2	Tin plated	0643221039	Ø140 min / Ø170 Max
		Gold plated	0643221239	
G1 to H4 G1 to H4	CP 0,6 0,75mm2	Tin plated	0643221029	Ø160 min / Ø190 Max
		Gold plated	0643221219	
	CP 1,5 0,5mm2 to 1mm2	Tin plated	0643231029	Ø140 min / Ø215 Max
		Gold plated	0643231319	
CP 1,5 >1mm2 to 2mm2	Tin plated	0643231039	Ø210 min / Ø280 Max	
	Gold plated	0643231219		

REVISED E.C. NO: G2017-0100 DRWINGES: BRUERES 2017/05/15 CHKD: BOUCHAN 2017/05/15 APPR: S. LAURE 2017/08/01 REV DESCRIPTION	QUALITY SYMBOLS 	GENERAL TOLERANCES (UNLESS SPECIFIED)		DIMENSION STYLE MM ONLY		SCALE 2,5:1	DESIGN UNITS METRIC	FIRST ANGLE PROJECTION		
		4 PLACES ± --- ± ---	3 PLACES ± --- ± ---	2 PLACES ± 0.1 ± ---	1 PLACE ± 0.1 ± ---	0 PLACE ± --- ± ---	DRAWN BY T. BADAROUX	DATE 2008/05/23	TITLE CMC CONNECTOR 24 WAY MAT SEAL VERSION GENERIC	
		ANGULAR ± 2 °		DRAFT WHERE APPLICABLE MUST REMAIN WITHIN DIMENSIONS		SEE SHEET 1		DOCUMENT NO. SD-64319-003		SHEET NO. 2 OF 2
		THIS DRAWING CONTAINS INFORMATION THAT IS PROPRIETARY TO MOLEX INCORPORATED AND SHOULD NOT BE USED WITHOUT WRITTEN PERMISSION								