

**NOTES:**

**1- MATERIAL:**

HOUSING: LCP GLASS FILLED UL 94V0, COLOUR: BLACK  
 TERMINAL: COPPER ALLOY PLATED WITH:  
 BASE FINISH: NICKEL  
 CONTACT SURFACE FINISH:  
 GOLD  
 OR  
 GOLD FLASH OVER PALLADIUM NICKEL.  
 EXCEEDS PRODUCT REQUIREMENTS BASED ON PS-95501

SOLDER PEGS: COPPER ALLOY PLATED WITH TIN.

2- JACK FOR MATING WITH IEC 60603-7 & TIA-1096-A PLUGS (MOLEX 90075 SERIES).

3- PRODUCT SPECIFICATION: MOLEX PS-95501

4- POLYIMIDE ADHESIVE TAPE FOR PICK & PLACE SURFACE. THICKNESS: 125 μm

5- PACKAGING SPECIFICATION: MOLEX PK-85502. (BLISTER PACKAGING).

6- COPLANARITY OF SIGNAL LEADS: 0.10

7- SEE DIMENSIONS IN CHART ON SHEET 2.

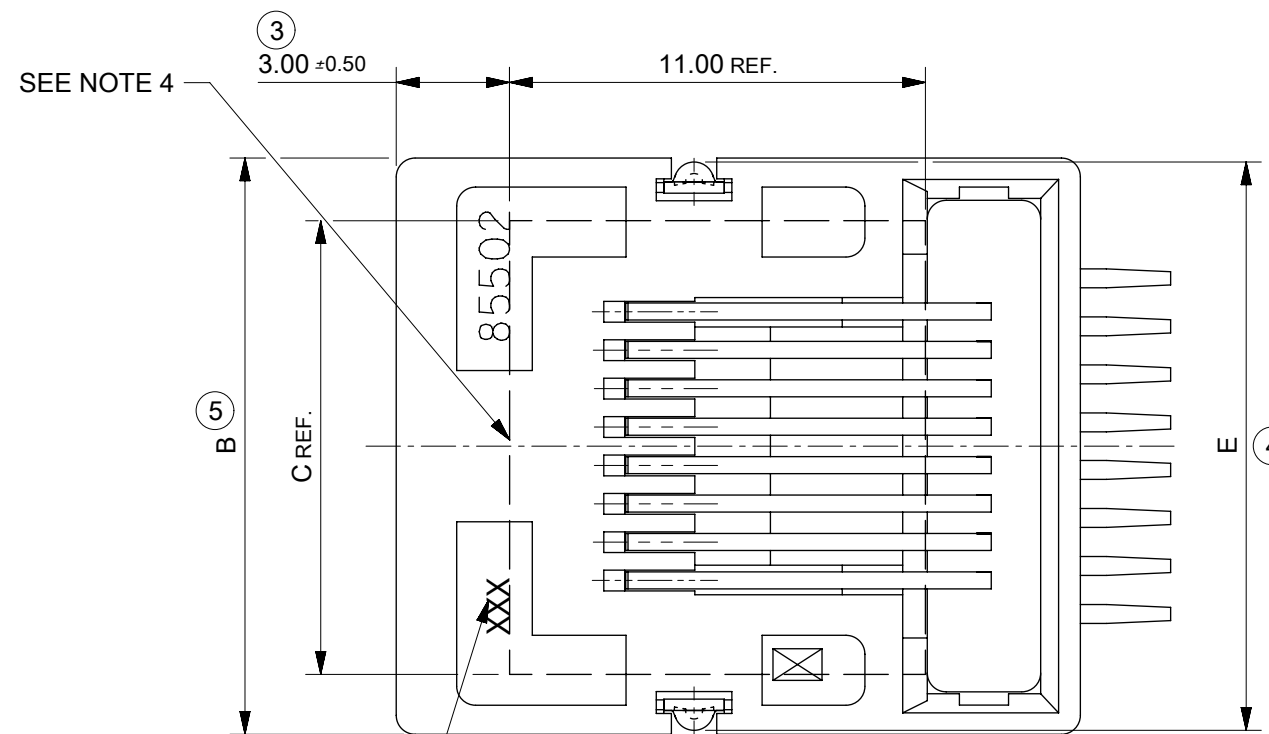
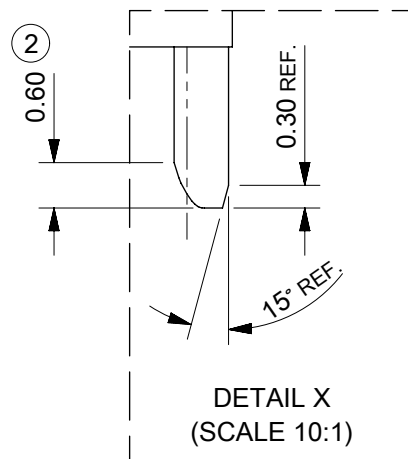
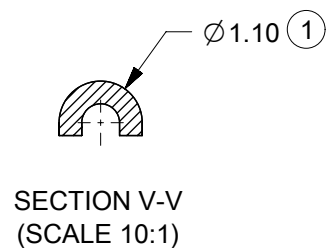
8- P.C. BOARD THICKNESS: 1.57

9- MANUFACTURING I.D. CAN BE EITHER MG, MXF OR MXI.

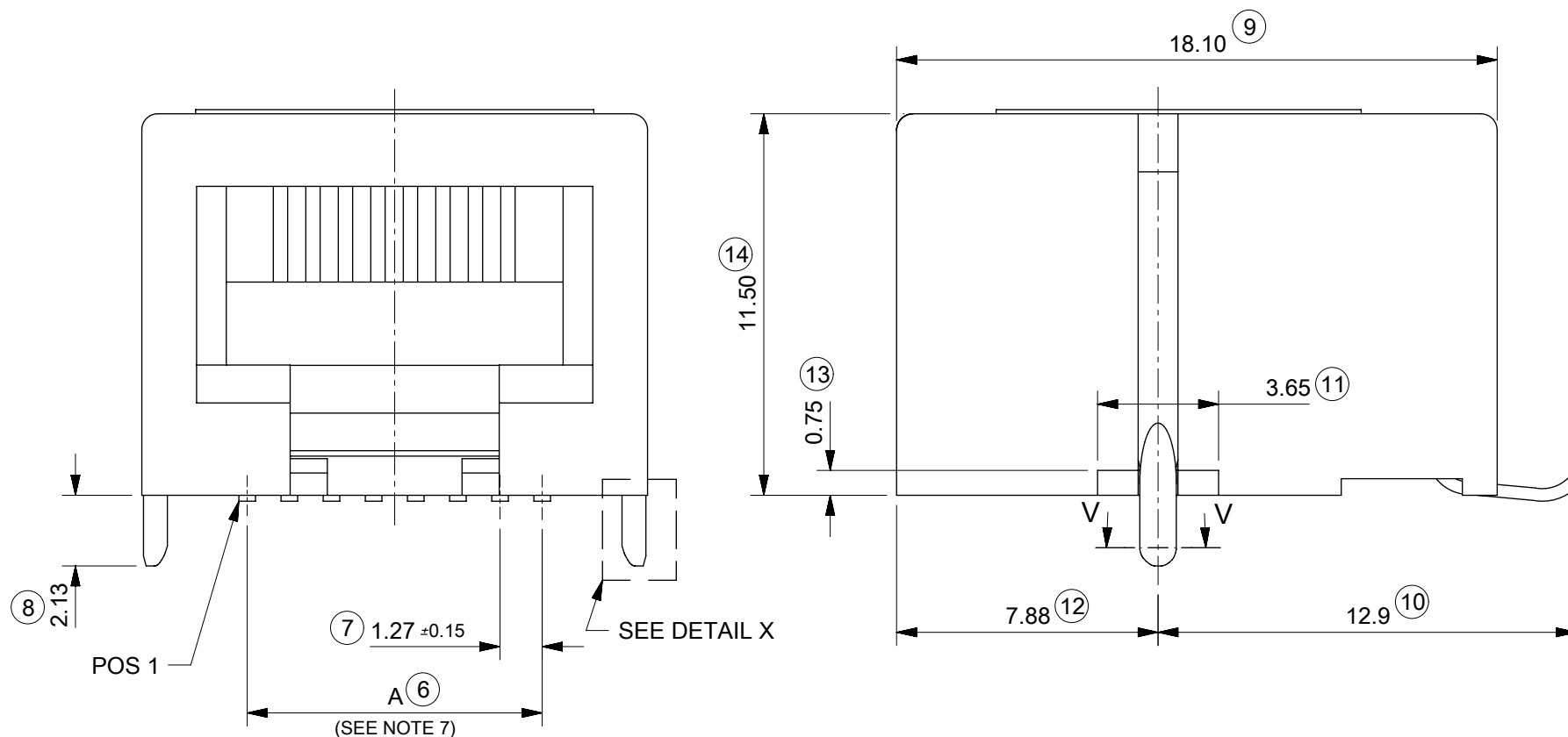
10- APPLICATION SPEC: AS-85513-001

LAST INSPECTION NUMBER: 14

CHANGED PROD SPEC EC NO: IPG2013-0771 DRWN:DBYRNES 2012/11/23 CHKD: APPR:STGRIFFIN 2012/12/13 REV DESCRIPTION	QUALITY SYMBOLS	GENERAL TOLERANCES (UNLESS SPECIFIED)	DIMENSION STYLE	SCALE	DESIGN UNITS	THIRD ANGLE PROJECTION	
	▽=0 ∠=0	mm INCH	MM ONLY	5:1	METRIC		
		4 PLACES ± --- ± --- 3 PLACES ± --- ± --- 2 PLACES ± 0.25 ± --- 1 PLACE ± 0.35 ± ---	DRAWN BY DATE DB 2006/06/12	TITLE R/A LOW PROFILE P.C.JACK SMT; 4,6 & 8 CKTS WITH THROUGH HOLE SOLDER PEGS			
		ANGULAR ± 2 °	CHECKED BY DATE EOMAHONY 2006/06/15	MOLEX MOLEX INCORPORATED			
	DRAFT WHERE APPLICABLE MUST REMAIN WITHIN DIMENSIONS	APPROVED BY DATE EOMAHONY 2006/06/15	MATERIAL NO.	DOCUMENT NO.	SHEET NO.		
		SIZE A3	THIS DRAWING CONTAINS INFORMATION THAT IS PROPRIETARY TO MOLEX INCORPORATED AND SHOULD NOT BE USED WITHOUT WRITTEN PERMISSION				



NOTE 9.



NOTES:

1. MATERIAL:

HOUSING: LCP GLASS FILLED UL 94-V0, COLOUR: BLACK  
 TERMINAL: COPPER ALLOY PLATED WITH:  
 BASE FINISH: NICKEL  
 CONTACT SURFACE FINISH:  
 GOLD  
 OR  
 GOLD FLASH OVER PALLADIUM NICKEL.  
 EXCEEDS PRODUCT REQUIREMENTS BASED ON PS-95501

SOLDER PEGS: COPPER ALLOY PLATED WITH TIN.

2. JACK FOR MATING WITH IEC 60603-7 & TIA-1096-A PLUGS  
 (MOLEX 90075 SERIES)

3. PRODUCT SPECIFICATION: MOLEX PS-95501

4. POLYIMIDE ADHESIVE TAPE FOR PICK & PLACE SURFACE.  
 THICKNESS: 125µm.

5. PACKAGING SPECIFICATION: MOLEX PK-85502  
 (BLISTER PACKAGING).

6. COPLANARITY OF SIGNAL LEADS: 0.10

7. SEE DIMENSIONS IN CHART ON SHEET 2.

8. P.C. BOARD THICKNESS: 1.57

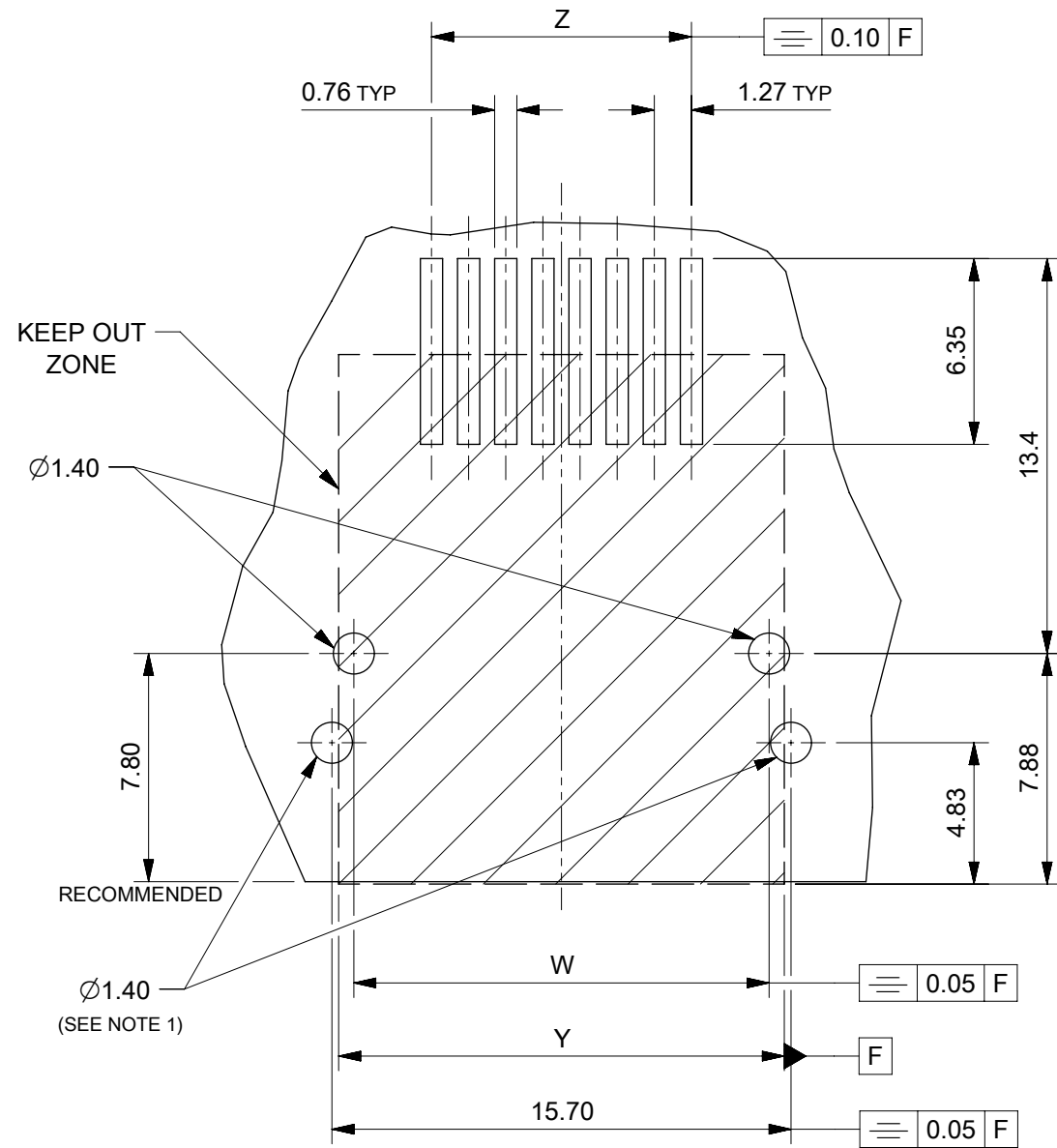
9. MANUFACTURING I.D. MAY BE EITHER MG, MXF, MXI OR MXCH.

10. APPLICATION SPEC: AS-85513-001

LAST INSPECTION NUMBER: 14

FUNCTIONAL SYMBOLS	THIS DRAWING CONTAINS INFORMATION THAT IS PROPRIETARY TO MOLEX ELECTRONIC TECHNOLOGIES, LLC AND SHOULD NOT BE USED WITHOUT WRITTEN PERMISSION			
	THIS DRAWING CONTAINS INFORMATION THAT IS PROPRIETARY TO MOLEX ELECTRONIC TECHNOLOGIES, LLC AND SHOULD NOT BE USED WITHOUT WRITTEN PERMISSION	SCALE		
▽/A = 0	mm	5:1	<b>RIGHT ANGLE LOW PROFILE SMT PC JACK WITH THROUGH HOLE SOLDER PEGS</b>	
▽/E = 0	GENERAL TOLERANCES (UNLESS SPECIFIED)			
▽/P = 0	ANGULAR TOL ± 2.0°		<b>PRODUCT CUSTOMER DRAWING</b>	
4 PLACES ±				
3 PLACES ±			EC NO: 641518 DRWN: CRAODOREMS 2018/03/21 CHK'D: KLANG 2020/08/25 APPR: KLANG 2020/08/25	
2 PLACES ± 0.25				
1 PLACE ± 0.35			INITIAL REVISION: DRWN: DBYRNES 2006/07/04 APPR: EOMAHONY 2006/07/07	
0 PLACES ±				
DRAFT WHERE APPLICABLE MUST REMAIN WITHIN DIMENSIONS			THIRD ANGLE PROJECTION	DRAWING
				A3-SIZE
			SERIES	85502
			MATERIAL NUMBER	SEE CHART
			CUSTOMER	GENERAL MARKET
			DOCUMENT NUMBER	SD-85502-103
			DOC TYPE	PSD
			DOC PART	002
			REVISION	E1
			SHEET NUMBER	1 OF 2

- NOTES:  
 1. TWO OPTIONAL HOLES FOR THE 8 POSITION - VERSION FOR THE COMPABILITY WITH THE INTERNAL SHIELDED VERSION.  
 2. PLATING SEE SHEET 1.



P.C.B. MOUNTING PATTERNS (THROUGH HOLE SOLDER LEGS VERSION)  
 VIEW FROM COMPONENT SIDE (SCALE 4:1)  
 ALL DIMENSIONS REF DIMENSIONS

PART NUMBERS FOR SMT JACK WITH THROUGH HOLE SOLDER PEGS									
STANDARD VERSION	HOUSING COLOR	POS. 4	TOOLED	POS. 6	TOOLED	POS. 6	TOOLED	POS. 8	TOOLED
		4 CKTS.		4 CKTS.		6 CKTS.		8 CKTS.	
	BLACK	85502-5009	X	85502-5010	X	85502-5011	X	85502-5012	X

DIM. \ TYPE	POS. 4	POS. 6		POS. 8
	4 CKTS.	4 CKTS.	6 CKTS.	8 CKTS.
A ± 0.15	3.81	3.81	6.35	8.89
B	11.18	13.21	13.21	15.24
C (REF)	8.50	8.50	8.50	12.00
E	11.08	13.11	13.11	15.14
W ± 0.05	10.13	12.16	12.16	14.19
Y (REF)	11.18	13.21	13.21	15.24
Z ± 0.05	3.81	3.81	6.35	8.89

FUNCTIONAL SYMBOLS	THIS DRAWING CONTAINS INFORMATION THAT IS PROPRIETARY TO MOLEX ELECTRONIC TECHNOLOGIES, LLC AND SHOULD NOT BE USED WITHOUT WRITTEN PERMISSION								
	$\nabla_A = 0$ $\nabla_E = 0$ $\nabla_P = 0$	DIMENSION UNITS: <b>mm</b> SCALE: <b>5:1</b>	CURRENT REV DESC: ADD "MXCH" AS MANUFACTURING I.D. SEE NOTE 9.						
DIVISIONAL SYMBOLS	GENERAL TOLERANCES (UNLESS SPECIFIED)		EC NO: 641518 DRWN: CRAODOREMS CHK'D: KLANG APPR: KLANG						
	ANGULAR TOL ± 2.0°		2018/03/21 2020/08/25 2020/08/25						
	4 PLACES ±		INITIAL REVISION: DRWN: DBYRNES APPR: EOMAHONY						
	3 PLACES ±		2006/07/04 2006/07/07						
2 PLACES ± 0.25		DOCUMENT NUMBER		DOC TYPE		DOC PART		REVISION	
1 PLACE ± 0.35		SD-85502-103		PSD		002		E1	
0 PLACES ±		MATERIAL NUMBER		CUSTOMER		SHEET NUMBER			
DRAFT WHERE APPLICABLE MUST REMAIN WITHIN DIMENSIONS		THIRD ANGLE PROJECTION		DRAWING		SERIES		MATERIAL NUMBER	
				A3-SIZE		85502		SEE CHART	
				GENERAL MARKET		2 OF 2			