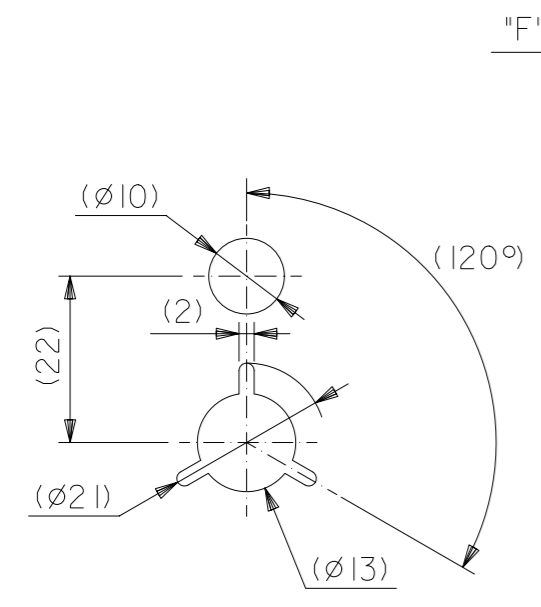
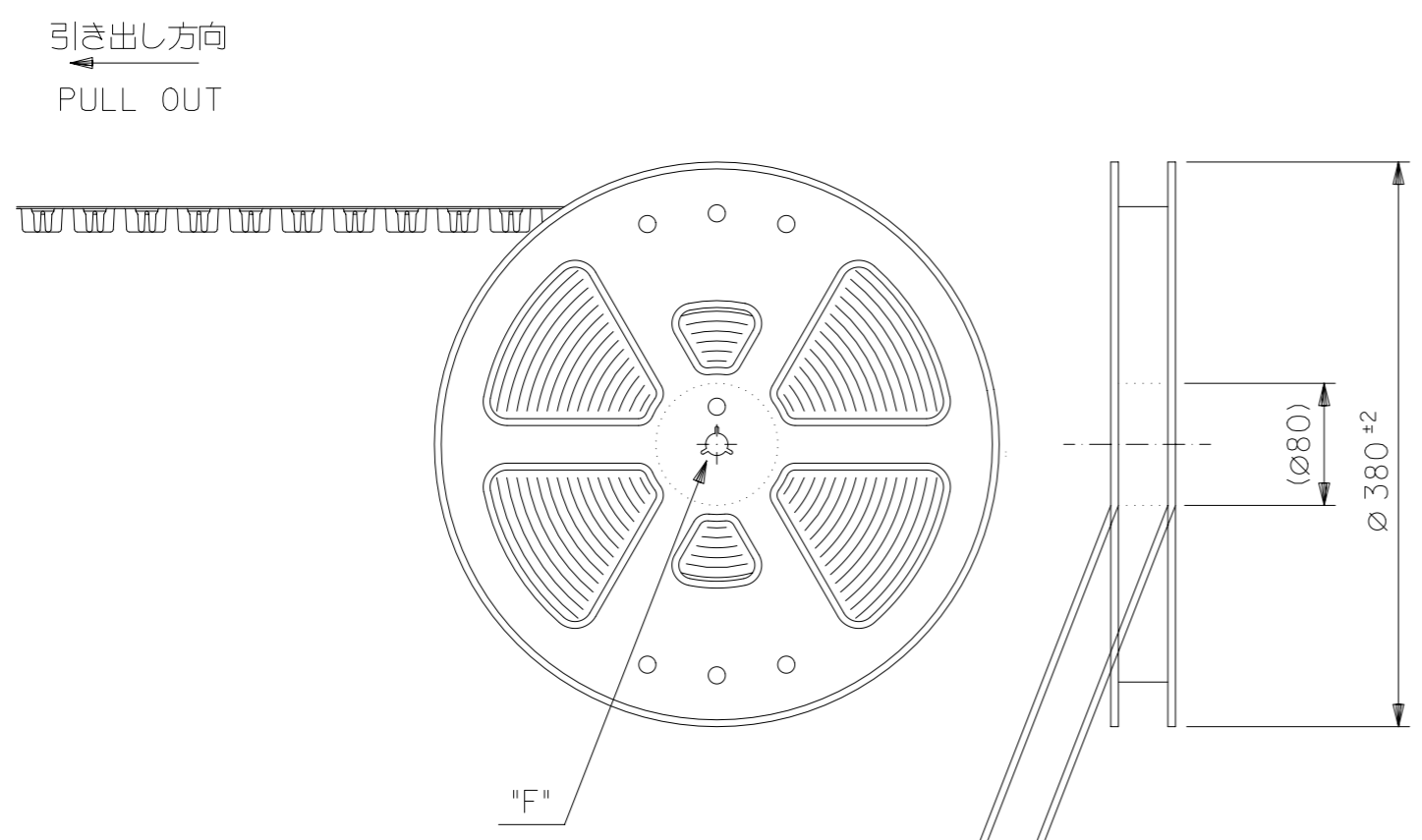


NOTE

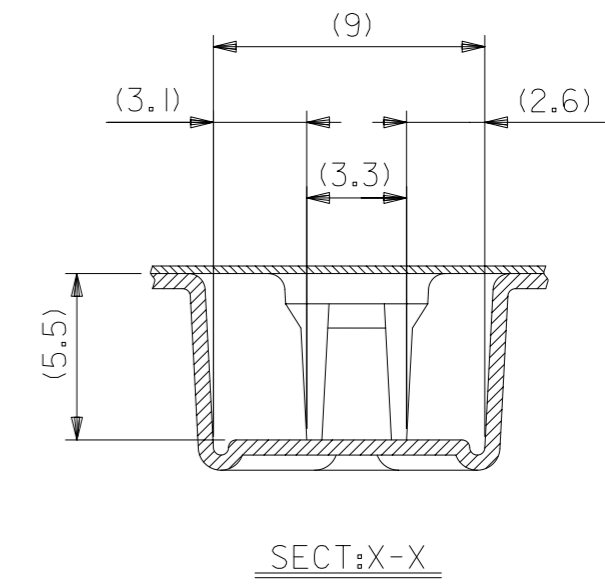
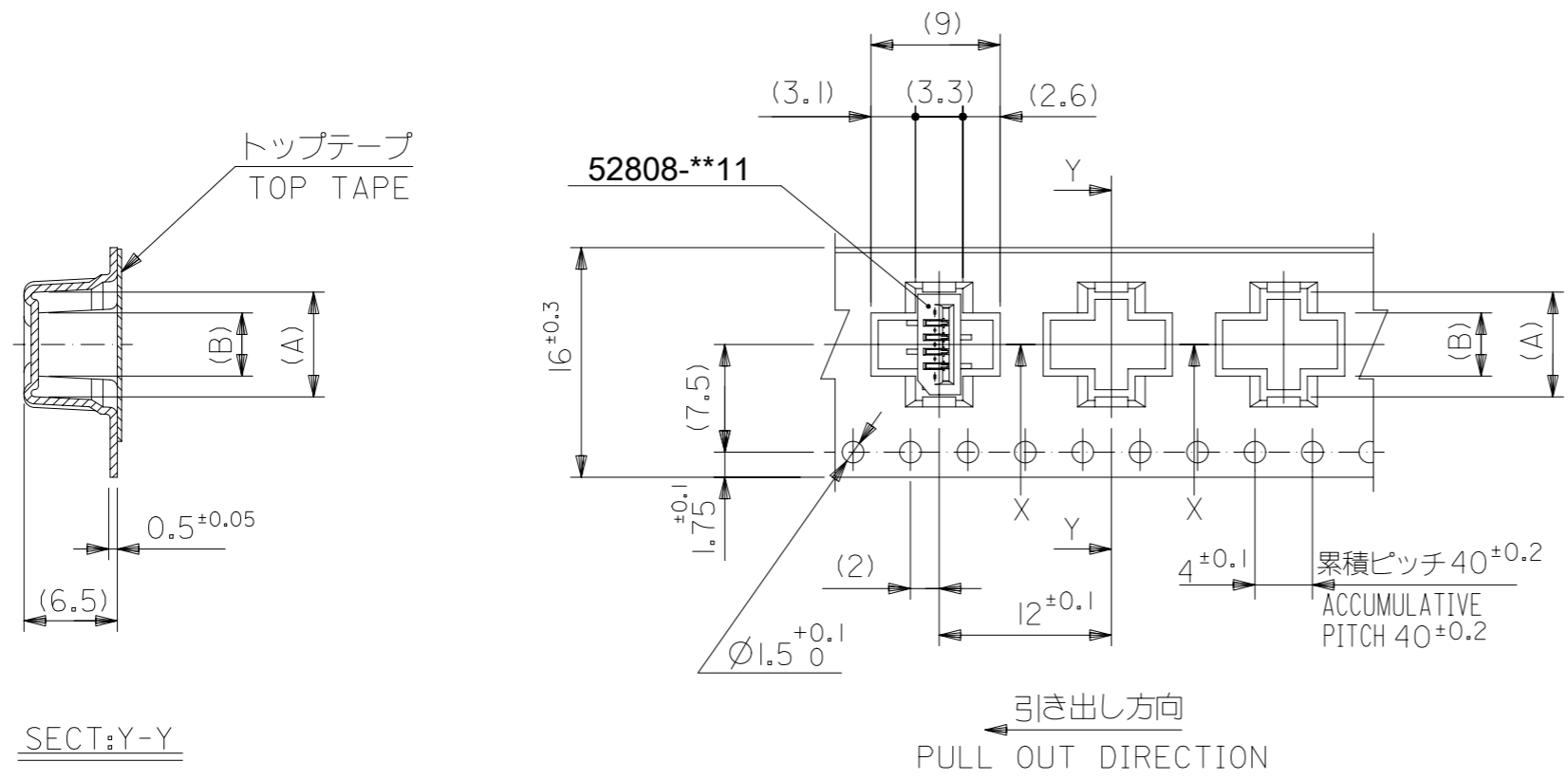
- 1. 製品詳細寸法については528081002_000を参照下さい。
RE DETAILED DIMENSION, SEE 528081002_000
- 2. 梱包数量:1000個/リール
NUMBER OF CONNECTORS:1000PCS/REEL
- 3. リードテープ長さ LEAD TAPE LENGTH

- 4. カバーテープの剥離強度については IEC 60286-3 に準拠
COVER TAPE PEEL FORCE IS DEFINED BY IEC 60286-3
- 5. 材料 (MATERIAL)
 キャリアテープ(CARRIER TAPE):ポリプロピレン(POLYPROPYLENE)
 トップテープ(TOP TAPE):PET,PE, PEF
 リール(REEL):ポリスチレン(PS) 〈リサイクル材を含む〉
 POLYSTYREN(PS) 〈RECYCLE MATERIAL CONTAINED〉
- 6. 本製品は52808シリーズの金メッキ品です。
THIS PRODUCT IS Au PLATING OF 52808 SERIES.
- 7. ELV 及び RoHS適合品
ELV AND RoHS COMPLIANT.



DETAIL "F"

THIS DRAWING CONTAINS INFORMATION THAT IS PROPRIETARY TO MOLEX ELECTRONIC TECHNOLOGIES, LLC AND SHOULD NOT BE USED WITHOUT WRITTEN PERMISSION		CURRENT REV DESC: OBSOLETE PART NUMBER		molex	
DIMENSION UNITS	SCALE				
mm	1:1				
GENERAL TOLERANCES (UNLESS SPECIFIED)		EC NO: 641324		DOCUMENT NUMBER	
ANGULAR TOL	± 0.0 °	DRWN: AKUMAR19 2020/03/18		528080002	
4 PLACES	± 0.0	CHK'D: GGA 2020/08/27		DOC TYPE	DOC PART
3 PLACES	± 0.0	APPR: GGA 2020/08/27		PSD	000
2 PLACES	± 0.0	INITIAL REVISION:		REVISION	B
1 PLACE	± 0.0	DRWN: MTAKAHASHI04 2016/01/29			
0 PLACES	± 0.0	APPR: TKUSUHARA01 2016/02/12			
DRAFT WHERE APPLICABLE MUST REMAIN WITHIN DIMENSIONS		THIRD ANGLE PROJECTION	DRAWING	SERIES	MATERIAL NUMBER
			A3-SIZE	52808	SEE TABLE
				CUSTOMER	SHEET NUMBER
				GENERAL	1 OF 5

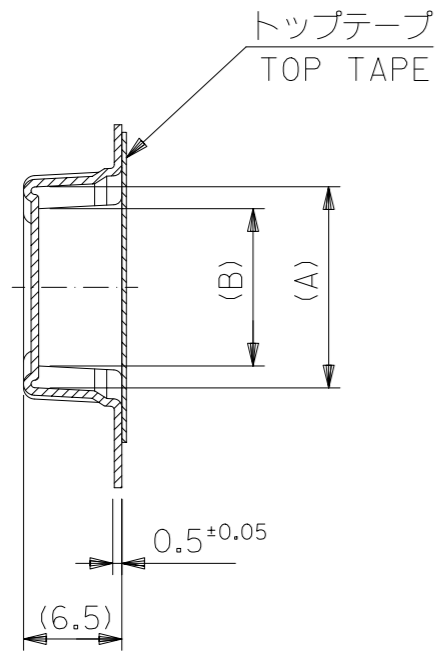


16mm幅キャリアテープ
16mm WIDTH CARRIER TAPE

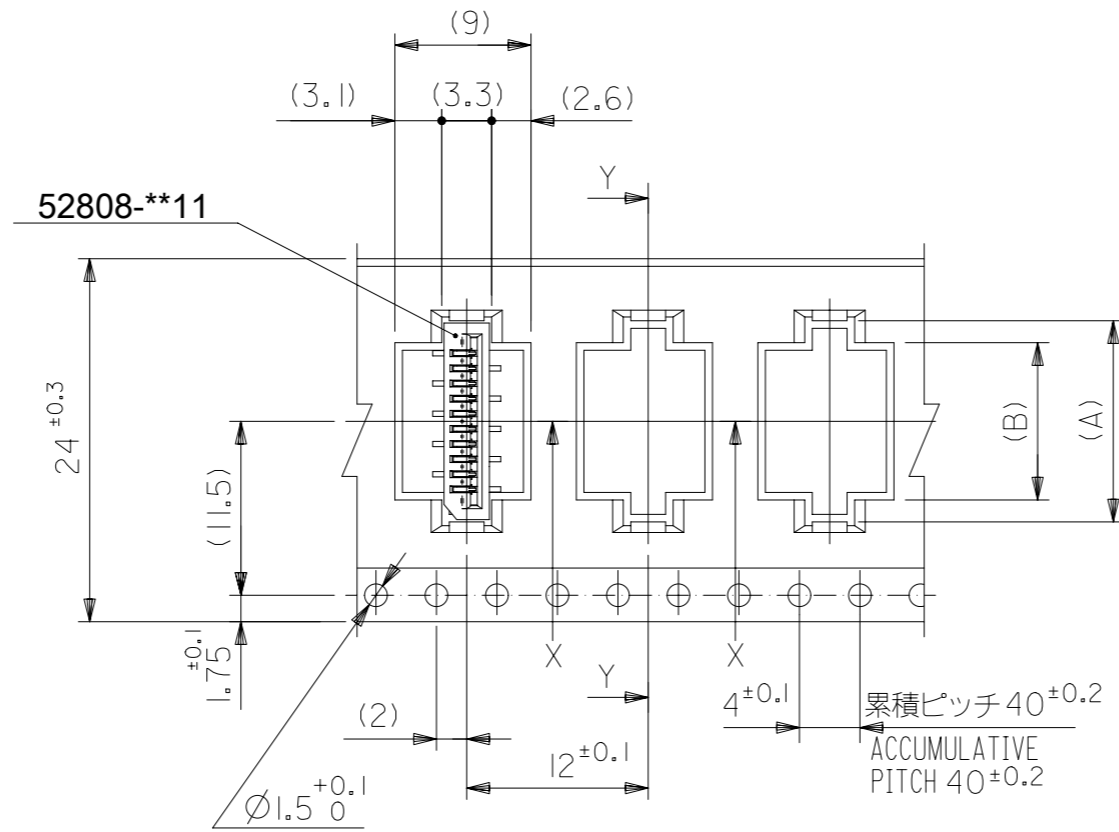
16	21.4	17.4	5.4	8.3	52808-0572	5
			4.4	7.3	52808-0472	4
キャリアテープ幅 CARRIER TAPE WIDTH	D	C	(B)	(A)	EMBOSSED PACKAGE オーダー番号 ORDER NO.	極数 CKT.
					MODEL NO.	52808-**72

THIS DRAWING CONTAINS INFORMATION THAT IS PROPRIETARY TO MOLEX ELECTRONIC TECHNOLOGIES, LLC AND SHOULD NOT BE USED WITHOUT WRITTEN PERMISSION

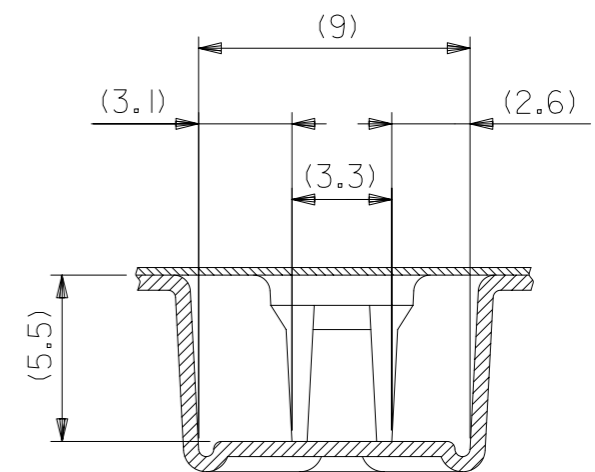
DIMENSION UNITS mm	SCALE 1:1	CURRENT REV DESC: OBSOLETE PART NUMBER		molex		
GENERAL TOLERANCES (UNLESS SPECIFIED)		EC NO: 641324				
ANGULAR TOL ± 0.0°	4 PLACES ± 0.0	DRWN: AKUMAR19	2020/03/18	PRODUCT CUSTOMER DRAWING		
3 PLACES ± 0.0	2 PLACES ± 0.0	CHK'D: GGA	2020/08/27	DOCUMENT NUMBER		
1 PLACE ± 0.0	0 PLACES ± 0.0	APPR: GGA	2020/08/27	528080002		
DRAFT WHERE APPLICABLE MUST REMAIN WITHIN DIMENSIONS		INITIAL REVISION: DRWN: MTAKAHASHI04 APPR: TKUSUHARA01		2016/01/29	DOC TYPE	DOC PART
THIRD ANGLE PROJECTION		DRAWING	SERIES	MATERIAL NUMBER	CUSTOMER	REVISION
A3-SIZE		52808	SEE TABLE	GENERAL	000	B
						2 OF 5



SECT:Y-Y



引き出し方向
PULL OUT DIRECTION



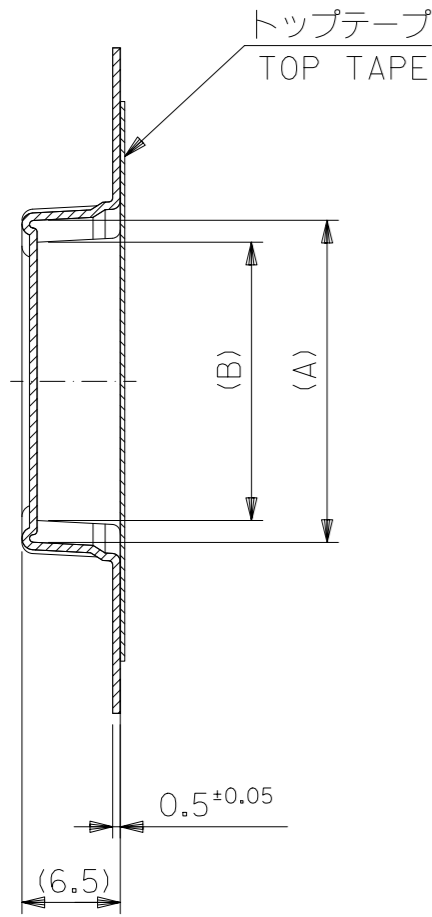
SECT:X-X

24mm幅キャリアテープ
24mm WIDTH CARRIER TAPE

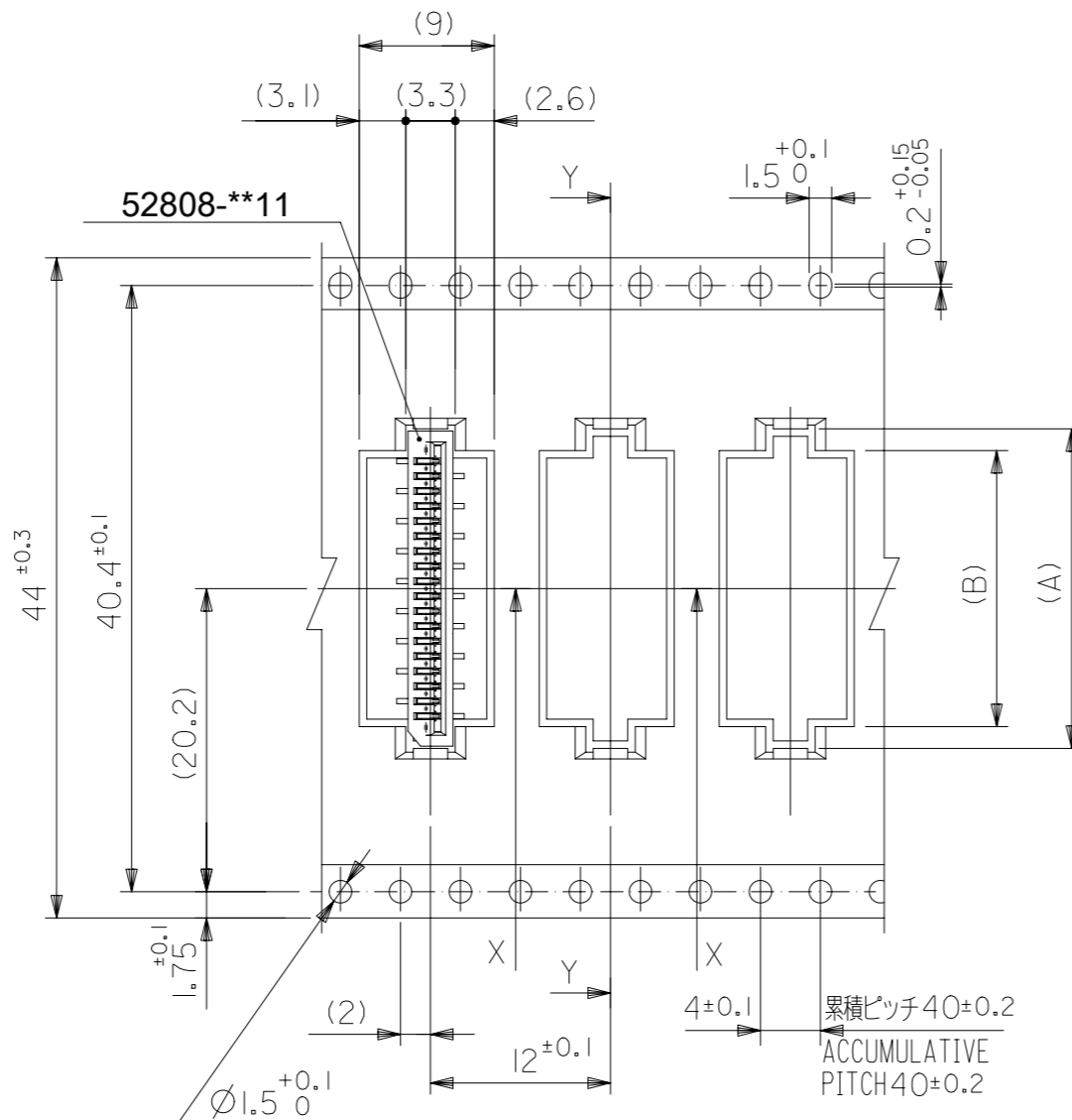
24	29.4	25.4	9.4	12.3	52808-0972	9
			8.4	11.3	52808-0872	8
			6.4	9.3	52808-0672	6
キャリアテープ幅 CARRIER TAPE WIDTH	D	C	(B)	(A)	EMBOSSED PACKAGE オーダー番号 ORDER NO.	極数 CKT.

MODEL NO. 52808-**72

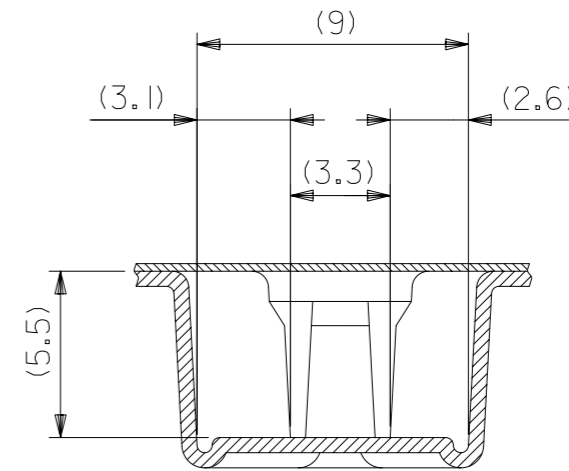
THIS DRAWING CONTAINS INFORMATION THAT IS PROPRIETARY TO MOLEX ELECTRONIC TECHNOLOGIES, LLC AND SHOULD NOT BE USED WITHOUT WRITTEN PERMISSION		CURRENT REV DESC: OBSOLETE PART NUMBER		molex	
DIMENSION UNITS	SCALE				
mm	1:1			PRODUCT CUSTOMER DRAWING	
GENERAL TOLERANCES (UNLESS SPECIFIED)		EC NO: 641324		DOCUMENT NUMBER	
ANGULAR TOL ± 0.0°		DRWN: AKUMAR19		528080002	
4 PLACES ± 0.0		2020/03/18		DOC TYPE	
3 PLACES ± 0.0		CHK'D: GGA		PSD	
2 PLACES ± 0.0		2020/08/27		DOC PART	
1 PLACE ± 0.0		APPR: GGA		000	
0 PLACES ± 0.0		INITIAL REVISION:		REVISION	
DRAFT WHERE APPLICABLE MUST REMAIN WITHIN DIMENSIONS		DRWN: MTAKAHASHI04		B	
THIRD ANGLE PROJECTION		2016/01/29			
DRAWING		2016/02/12			
A3-SIZE		SERIES		SHEET NUMBER	
		52808		3 OF 5	
		MATERIAL NUMBER		CUSTOMER	
		SEE TABLE		GENERAL	



SECT:Y-Y



引き出し方向
PULL OUT DIRECTION



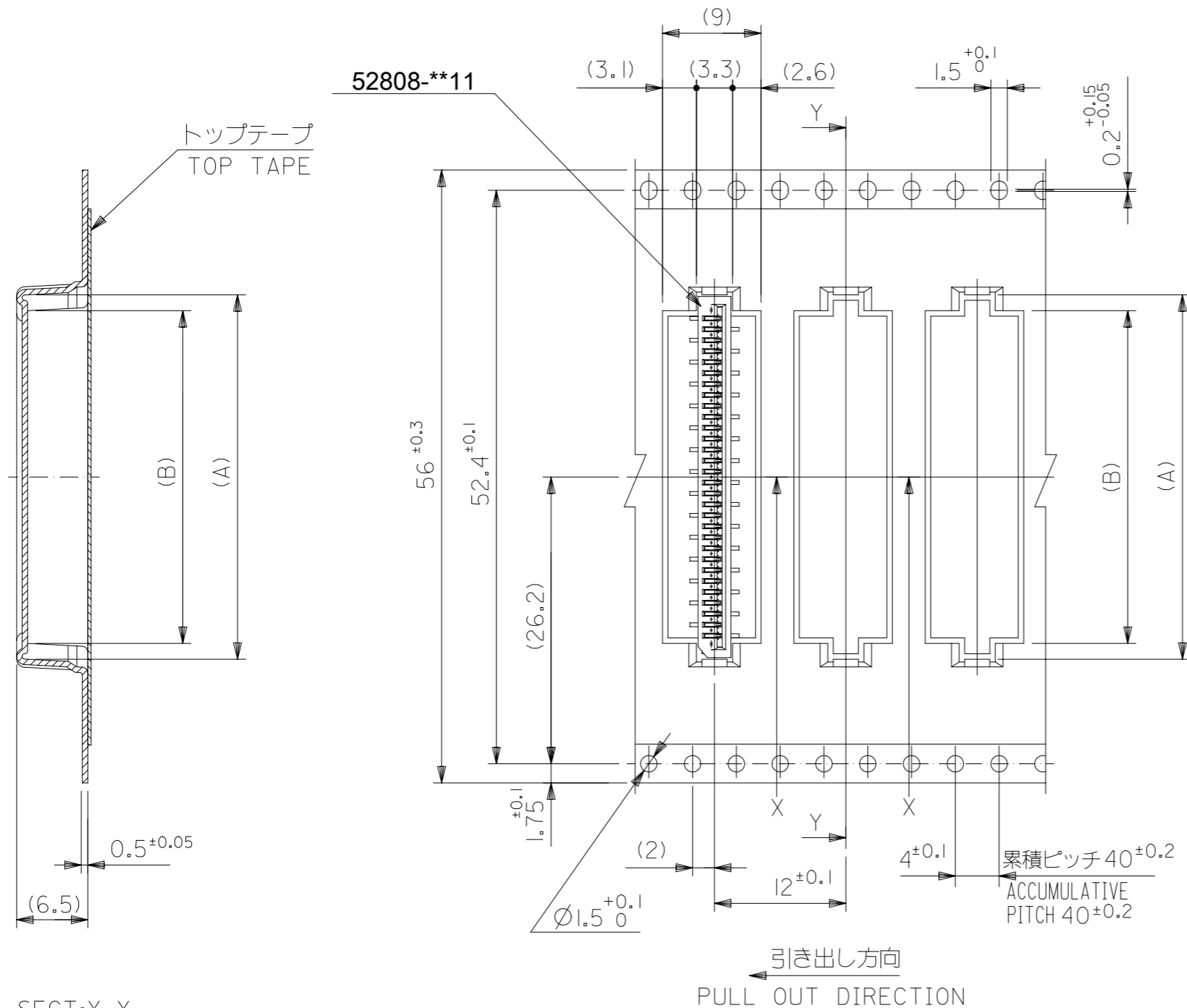
SECT:X-X

44mm幅キャリアテープ
44mm WIDTH CARRIER TAPE

44	49.4	45.4	20.4	23.3	52808-2072	20
キャリアテープ幅 CARRIER TAPE WIDTH	D	C	(B)	(A)	EMBOSSED PACKAGE オーダー番号 ORDER NO.	極数 CKT.

MODEL NO. 52808-**72

THIS DRAWING CONTAINS INFORMATION THAT IS PROPRIETARY TO MOLEX ELECTRONIC TECHNOLOGIES, LLC AND SHOULD NOT BE USED WITHOUT WRITTEN PERMISSION		CURRENT REV DESC: OBSOLETE PART NUMBER		molex	
DIMENSION UNITS	SCALE				
mm	1:1			PRODUCT CUSTOMER DRAWING	
GENERAL TOLERANCES (UNLESS SPECIFIED)		EC NO: 641324		DOCUMENT NUMBER	
ANGULAR TOL ± 0.0°		DRWN: AKUMAR19 2020/03/18		528080002	
4 PLACES ± 0.0		CHK'D: GGA 2020/08/27		DOC TYPE DOC PART REVISION	
3 PLACES ± 0.0		APPR: GGA 2020/08/27		PSD 000 B	
2 PLACES ± 0.0		INITIAL REVISION:		MATERIAL NUMBER	
1 PLACE ± 0.0		DRWN: MTAKAHASHI04 2016/01/29		CUSTOMER	
0 PLACES ± 0.0		APPR: TKUSUHARA01 2016/02/12		GENERAL	
DRAFT WHERE APPLICABLE MUST REMAIN WITHIN DIMENSIONS		THIRD ANGLE PROJECTION	DRAWING	SERIES	SHEET NUMBER
			A3-SIZE	52808	4 OF 5

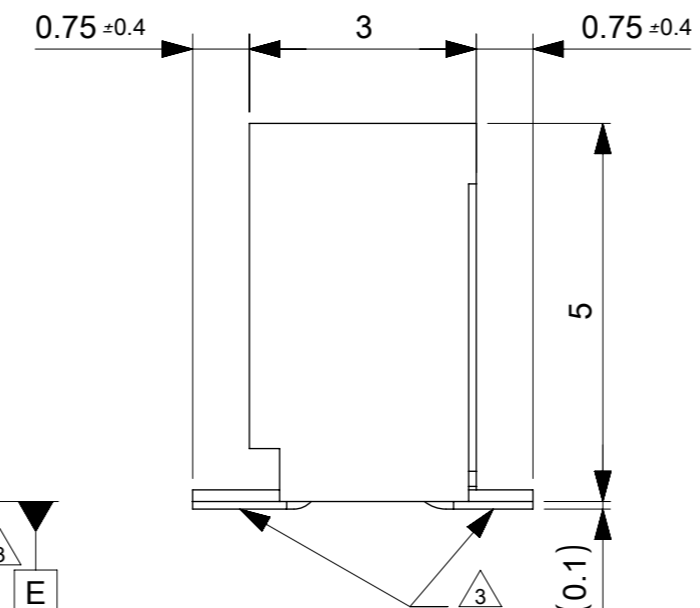
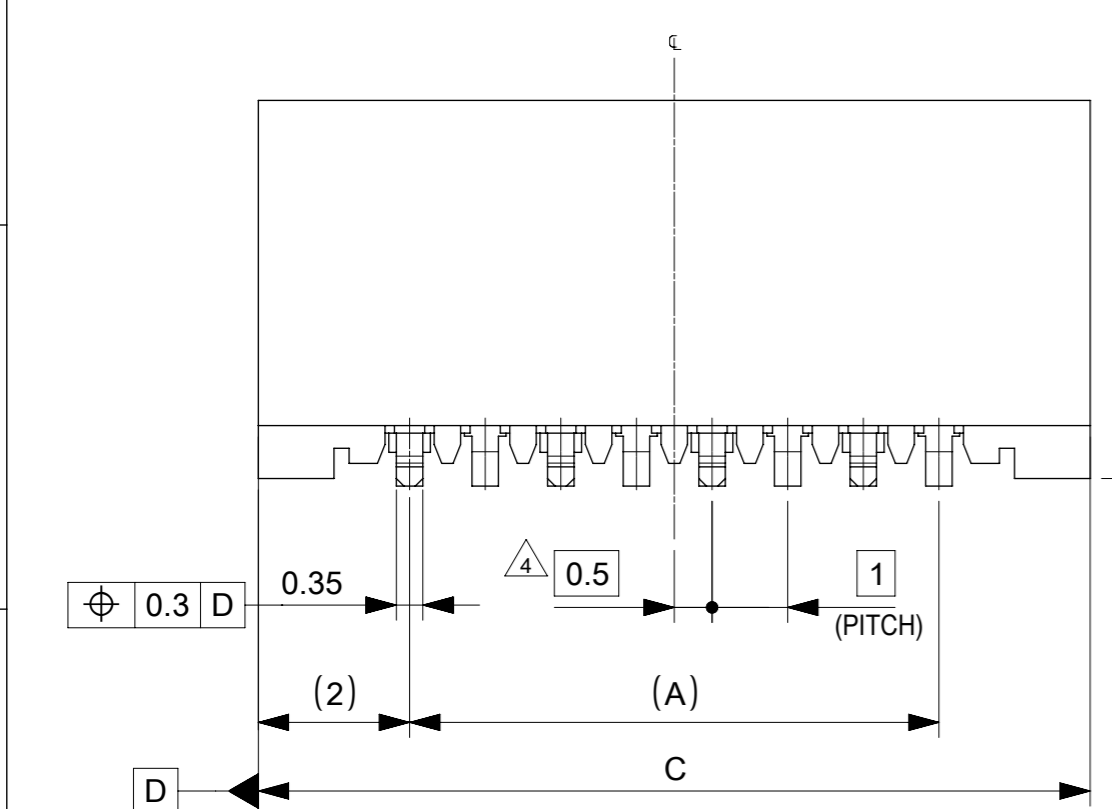
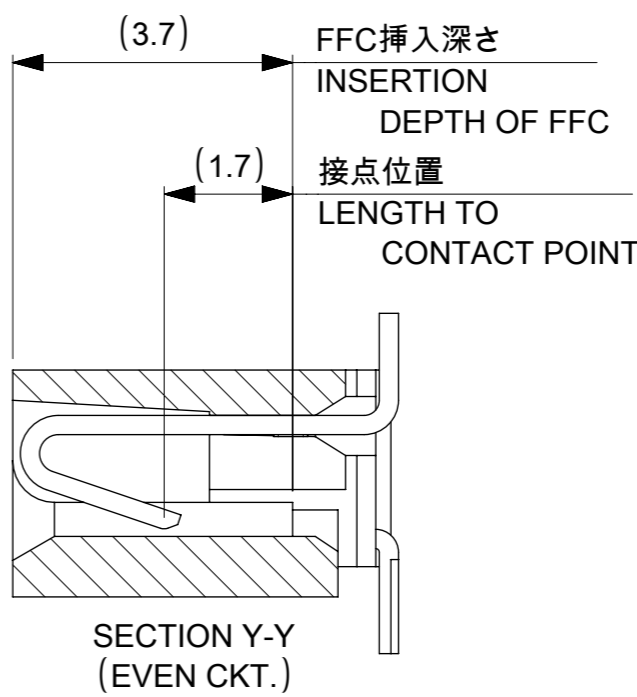
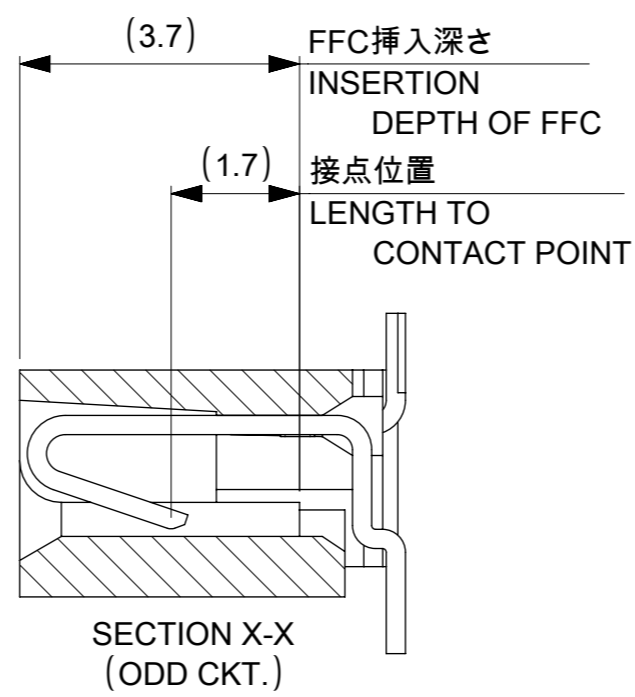
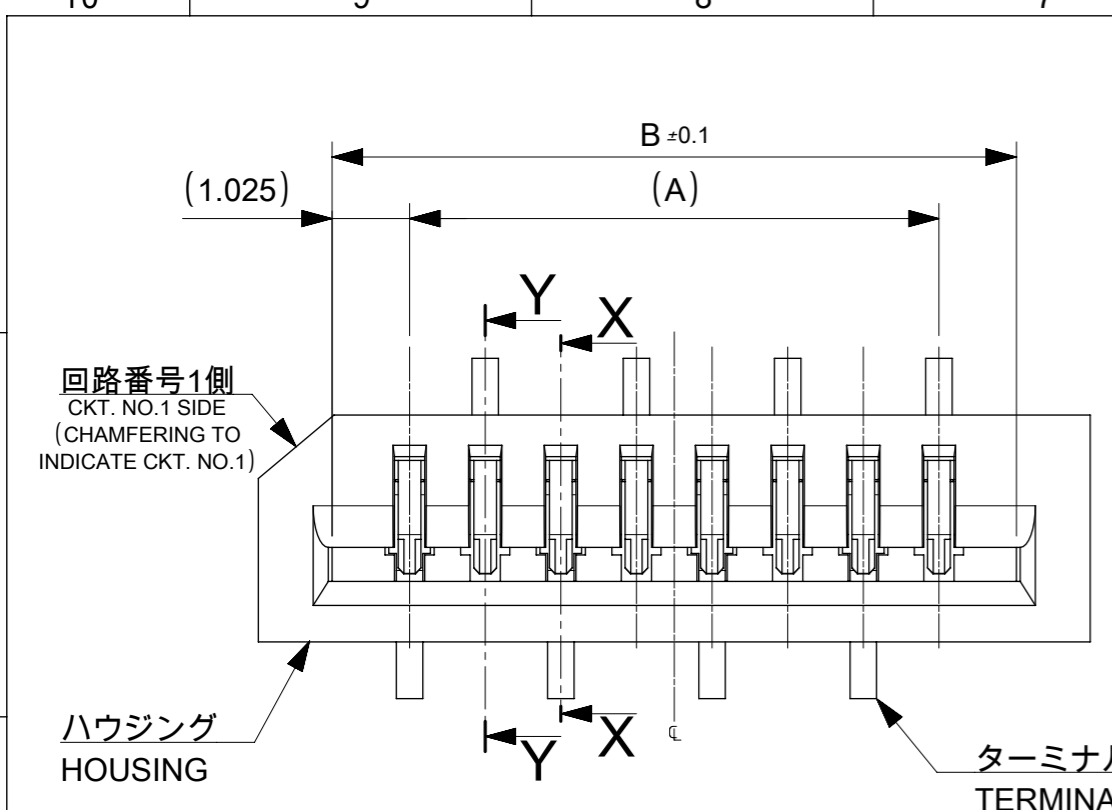


56mm幅キャリアテープ
56mm WIDTH CARRIER TAPE

56	61.4	57.4	30.4	33.3	52808-3072	30
キャリアテープ幅 CARRIER TAPE WIDTH	D	C	(B)	(A)	EMBOSSED PACKAGE オーダー番号 ORDER NO.	極数 CKT.

MODEL NO. 52808-**72

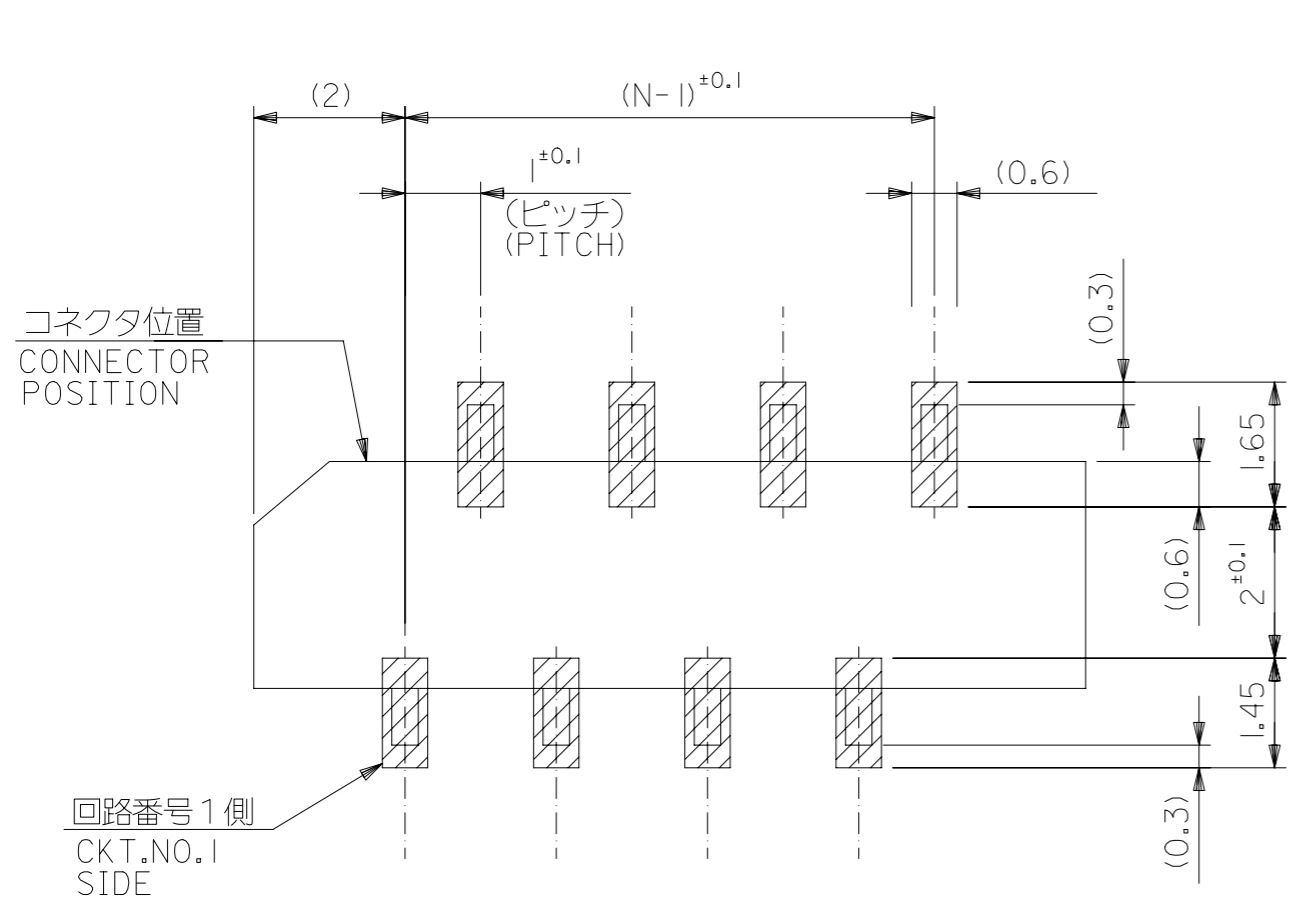
THIS DRAWING CONTAINS INFORMATION THAT IS PROPRIETARY TO MOLEX ELECTRONIC TECHNOLOGIES, LLC AND SHOULD NOT BE USED WITHOUT WRITTEN PERMISSION		CURRENT REV DESC: OBSOLETE PART NUMBER		molex		
DIMENSION UNITS	SCALE					
mm	1:1			PRODUCT CUSTOMER DRAWING		
GENERAL TOLERANCES (UNLESS SPECIFIED)		EC NO: 641324		DOCUMENT NUMBER		
ANGULAR TOL ± 0.0°		DRWN: AKUMAR19		528080002		
4 PLACES ± 0.0		CHK'D: GGA		DOC TYPE DOC PART REVISION		
3 PLACES ± 0.0		APPR: GGA		PSD 000 B		
2 PLACES ± 0.0		INITIAL REVISION:		MATERIAL NUMBER		
1 PLACE ± 0.0		DRWN: MTAKAHASHI04		CUSTOMER		
0 PLACES ± 0.0		APPR: TKUSUHARA01		GENERAL		
DRAFT WHERE APPLICABLE MUST REMAIN WITHIN DIMENSIONS		THIRD ANGLE PROJECTION	DRAWING	SERIES	SHEET NUMBER	
			A3-SIZE	52808	5 OF 5	



33	31.05	29	52808-3072	30
23	21.05	19	52808-2072	20
12	10.05	8	52808-0972	9
11	9.05	7	52808-0872	8
9	7.05	5	52808-0672	6
8	6.05	4	52808-0572	5
7	5.05	3	52808-0472	4
C	B	A	EMBOSSED PACKAGE オーダー番号 ORDER NO.	Ckt

THIS DRAWING CONTAINS INFORMATION THAT IS PROPRIETARY TO MOLEX ELECTRONIC TECHNOLOGIES, LLC AND SHOULD NOT BE USED WITHOUT WRITTEN PERMISSION

DIMENSION UNITS mm	SCALE 10:1	CURRENT REV DESC: OBSOLETE PART NUMBER		
GENERAL TOLERANCES (UNLESS SPECIFIED)		<p>molex</p> <p>1.0 FFC CONN NON ZIF SMT ST ASSY</p> <p>PRODUCT CUSTOMER DRAWING</p>		
ANGULAR TOL	± 1.0 °			
4 PLACES	± 0.05			
3 PLACES	± 0.1			
2 PLACES	± 0.2			
1 PLACE	± 0.2	EC NO: 641324	2020/03/18	
0 PLACES	± 0.2	DRWN: AKUMAR19	2020/08/27	
DRAFT WHERE APPLICABLE MUST REMAIN WITHIN DIMENSIONS		CHK'D: GGA	2020/08/27	
THIRD ANGLE PROJECTION		APPR: GGA	2020/08/27	
DRAWING		INITIAL REVISION:	DOCUMENT NUMBER	DOC TYPE
A3-SIZE		DRWN: MTAKAHASHI04	528081002	PSD
SERIES		APPR: TKUSUHARA01	000	B
MATERIAL NUMBER		2016/01/29		
CUSTOMER		2016/02/12		
SHEET NUMBER				
SEE TABLE				1 OF 3
GENERAL				



推奨基板レイアウト
 RECOMMENDED P.C.BOARD
PATTERN DIMENSION
 (マウント面)
 (MOUNTING SIDE)

参考メタルマスク厚 : 120μm
 参考メタルマスク開口率 : 100%
 REFERENCE SCREEN THICKNESS : 120μm
 REFERENCE SCREEN OPEN RATIO : 100%

注記 NOTES

1. 使用材料 MATERIAL
 ハウジング : ポリフェニレンサルファイド(PPS) ナチュラル(白色) ガラス充填 UL94V-0
 HOUSING POLY PHENYLENE SULFIDE NATURAL(WHITE) GLASS FILLED UL94V-0
 ターミナル : リン青銅(t=0.25)
 TERMINAL PHOSPHOR BRONZE (t=0.25)

2. めっき仕様 PLATING
 ターミナル TERMINAL
 接点部 : 金メッキ(0.1μm以上)
 半田付部 : 錫メッキ(1.0μm以上)
 下地 : ニッケルメッキ(1.0μm以上)
 CONTACT PORTION : GOLD PLATING (0.1μm MIN)
 SOLDERING PORTION : TIN PLATING (1.0μm MIN)
 UNDER PLATING : NICKEL PLATING (1.0μm MIN)

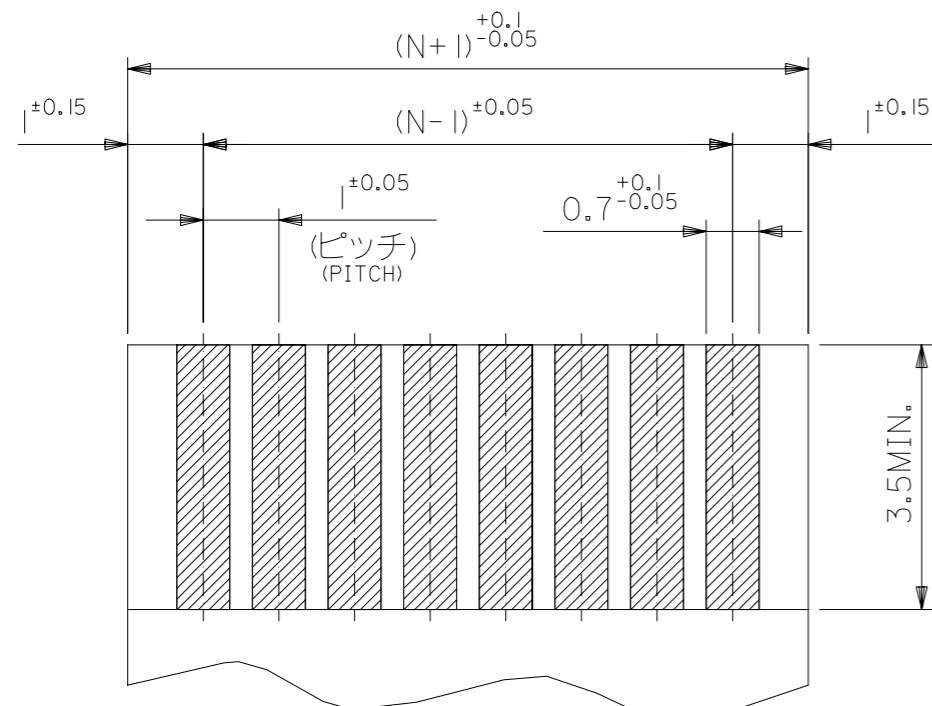
△3 基準面 E からの溶ダテールの半田付け面のズレ量は、
 上方向に0.1MAX、下方向に0.15MAXとする。
 MISALIGNMENT OF SOLDER TAIL FROM E
 UPPER DIRECTION 0.1 MAX , LOWER DIRECTION 0.15 MAX.

△4 偶数極に適用。
 APPLY FOR EVEN CKT.

5. 本製品は 52808シリーズの金メッキ品です。
 THIS PRODUCT IS Au PLATING OF 52808 SERIES.

6. ELV 及び RoHS適合品。
 ELV AND RoHS COMPLIANT.

THIS DRAWING CONTAINS INFORMATION THAT IS PROPRIETARY TO MOLEX ELECTRONIC TECHNOLOGIES, LLC AND SHOULD NOT BE USED WITHOUT WRITTEN PERMISSION									
DIMENSION UNITS	SCALE	CURRENT REV DESC: OBSOLETE PART NUMBER							
mm	1:1								
GENERAL TOLERANCES (UNLESS SPECIFIED)									
ANGULAR TOL	± 1.0 °	EC NO: 641324 DRWN: AKUMAR19 2020/03/18 CHK'D: GGA 2020/08/27 APPR: GGA 2020/08/27							
4 PLACES	± 0.05								
3 PLACES	± 0.1	PRODUCT CUSTOMER DRAWING							
2 PLACES	± 0.2								
1 PLACE	± 0.2	INITIAL REVISION:				DOCUMENT NUMBER	DOC TYPE	DOC PART	REVISION
0 PLACES	± 0.2	DRWN: MTAKAHASHI04 2016/01/29 APPR: TKUSUHARA01 2016/02/12				528081002	PSD	000	B
DRAFT WHERE APPLICABLE MUST REMAIN WITHIN DIMENSIONS		THIRD ANGLE PROJECTION	DRAWING	SERIES	MATERIAL NUMBER	CUSTOMER		SHEET NUMBER	
			A3-SIZE	52808	SEE TABLE	GENERAL		2 OF 3	



(仕上り厚さ : 0.3±0.03)
 (THICKNESS : 0.3±0.03)
 適合金メッキFPC/FFC推奨寸法
 APPLICABLE GOLD FPC/FFC
 RECOMMENDED DIMENSION

FPC/FFCについて

打ち抜き方向は導体側から補強板側を推奨致します。
 導体部については軟箔銅35μmまたは50μmを推奨致します。
 接着剤の接点部への付着は導通不良の原因になりますので、染み出しが無い様お願い致します。
 FPC/FFCに規定された定格温度がFPC/FFC単体前提である場合が御座います。
 コネクタと組み合わせての実使用において、接着層が劣化する等の信頼性を満足できないケースを回避する為、
 実機での評価/確認をお願い致します。

ABOUT FPC/FFC

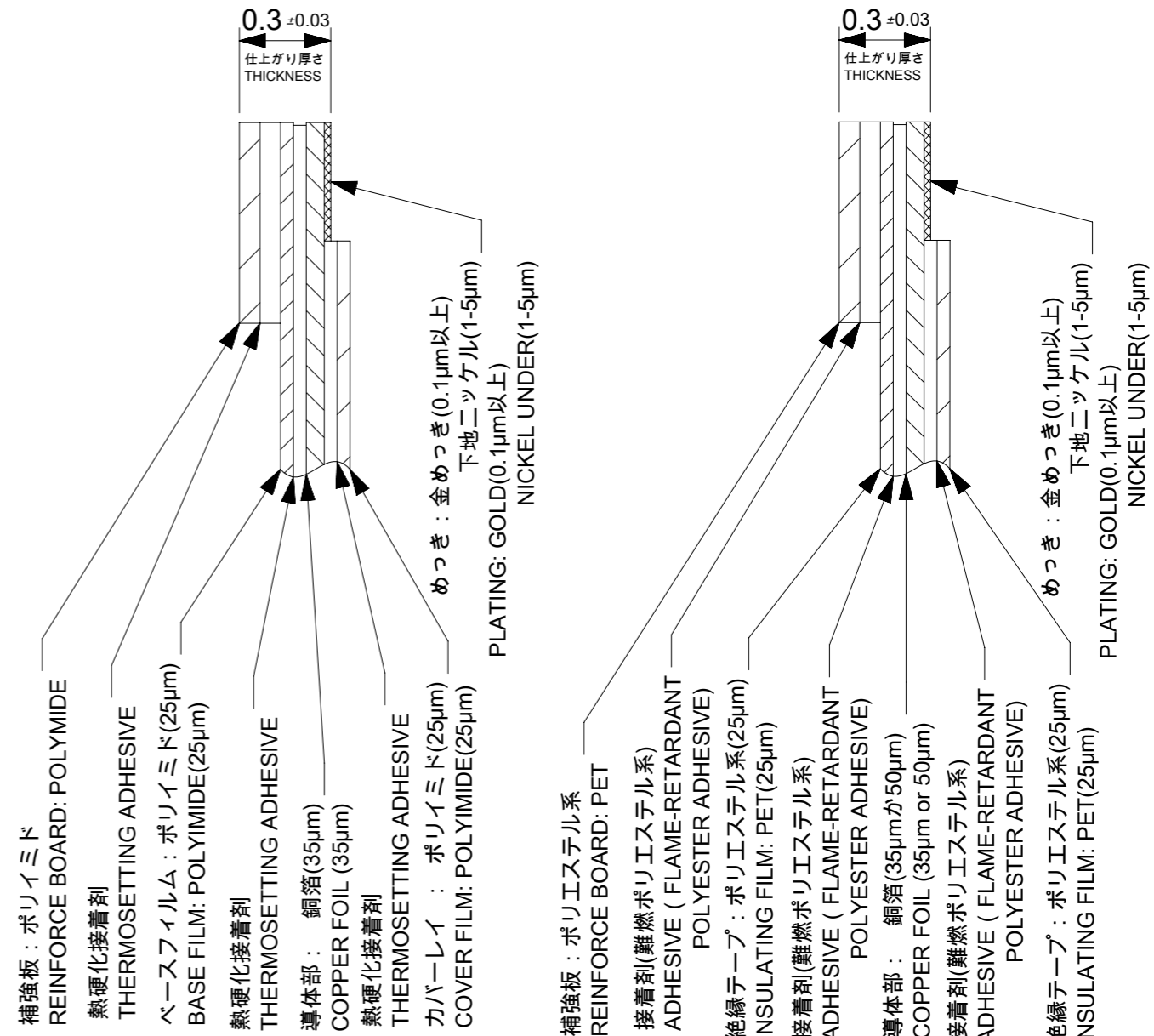
RECOMMENDED PUNCHING DIRECTION: FROM CONDUCTOR SIDE TO STIFFENER SIDE
 RECOMMENDED CONDUCTOR SPEC: SOFT COPPER FOIL
 RECOMMENDED CONDUCTOR THICKNESS: 35 MICROMETER OR 50 MICROMETER
 PLEASE PUT APPROPRIATE AMOUNT OF ADHESIVE ON ADHEREND BECAUSE THERE IS
 A POSSIBILITY THAT EXTRA ADHESIVE CAUSES THE DEFECT IN ELECTRICAL CONTINUITY
 THE HEAT RESISTANCE OF FFC IS ONLY FFC SPEC
 TO PREVENT THE CASE THAT RELIABILITY CANNOT BE SATISFIED (THE ADHESIVE IS
 DETERIORATED etc.) PLEASE DO THE EVALUATION AND THE CONFIRMATION WITH
 ACTUAL CONNECTER

FPCについて

補強フィルム材質はポリイミドを推奨します。ベースフィルムは25μmを推奨します。
 接着剤は熱硬化接着剤を推奨します。

ABOUT FPC

RECOMMENDED STIFFENER MATERIAL: POLYIMIDE
 RECOMMENDED BASE FILM THICKNESS: 25 MICROMETER
 RECOMMENDED ADHESIVE: THERMOSETTING ADHESIVE



FPC構成推奨仕様
 STRUCTURE OF FPC

FFC構成推奨仕様
 STRUCTURE OF FFC

THIS DRAWING CONTAINS INFORMATION THAT IS PROPRIETARY TO MOLEX ELECTRONIC TECHNOLOGIES, LLC AND SHOULD NOT BE USED WITHOUT WRITTEN PERMISSION									
DIMENSION UNITS mm		SCALE 1:1		CURRENT REV DESC: OBSOLETE PART NUMBER					
GENERAL TOLERANCES (UNLESS SPECIFIED)				<p>1.0 FFC CONN NON ZIF SMT ST ASSY</p> <p>PRODUCT CUSTOMER DRAWING</p>					
ANGULAR TOL		± 1.0 °							
4 PLACES		± 0.05							
3 PLACES		± 0.1							
2 PLACES		± 0.2							
1 PLACE		± 0.2		INITIAL REVISION:		DOCUMENT NUMBER		DOC TYPE	
0 PLACES		± 0.2		DRWN: MTAKAHASHI04		528081002		PSD	
DRAFT WHERE APPLICABLE MUST REMAIN WITHIN DIMENSIONS		THIRD ANGLE PROJECTION		DRAWING		SERIES		SHEET NUMBER	
				A3-SIZE		52808		3 OF 3	