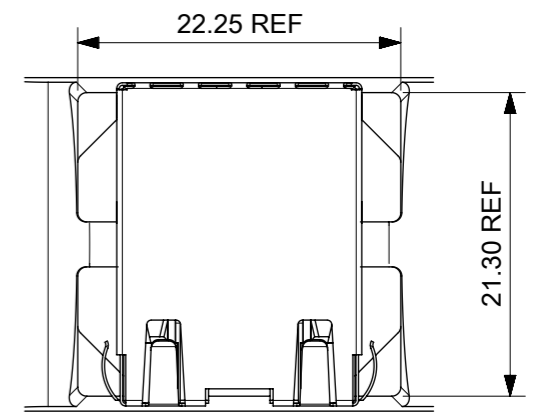
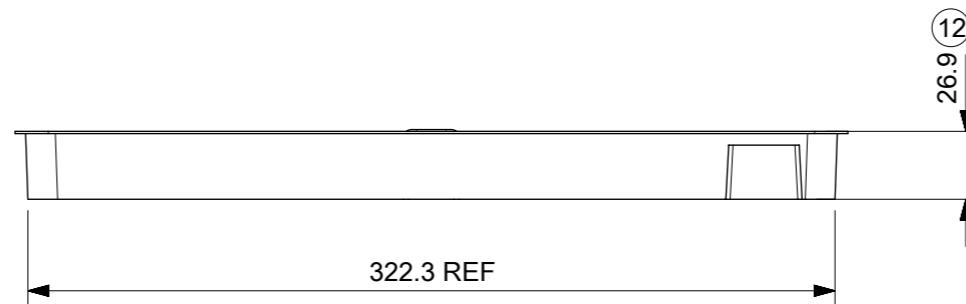
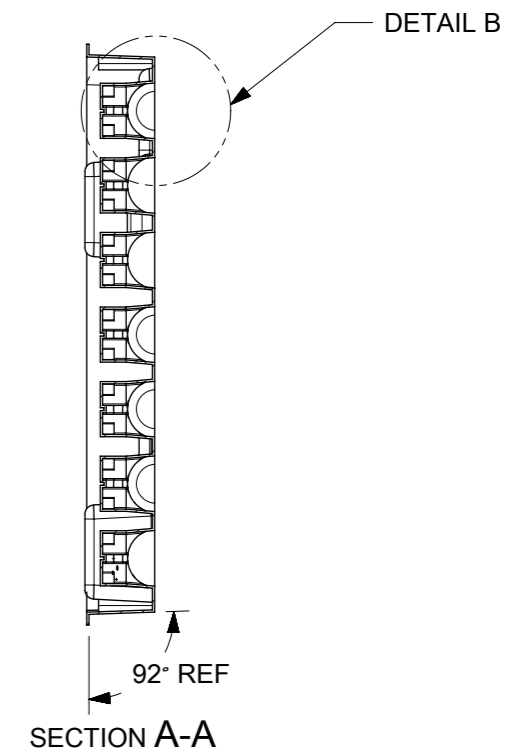
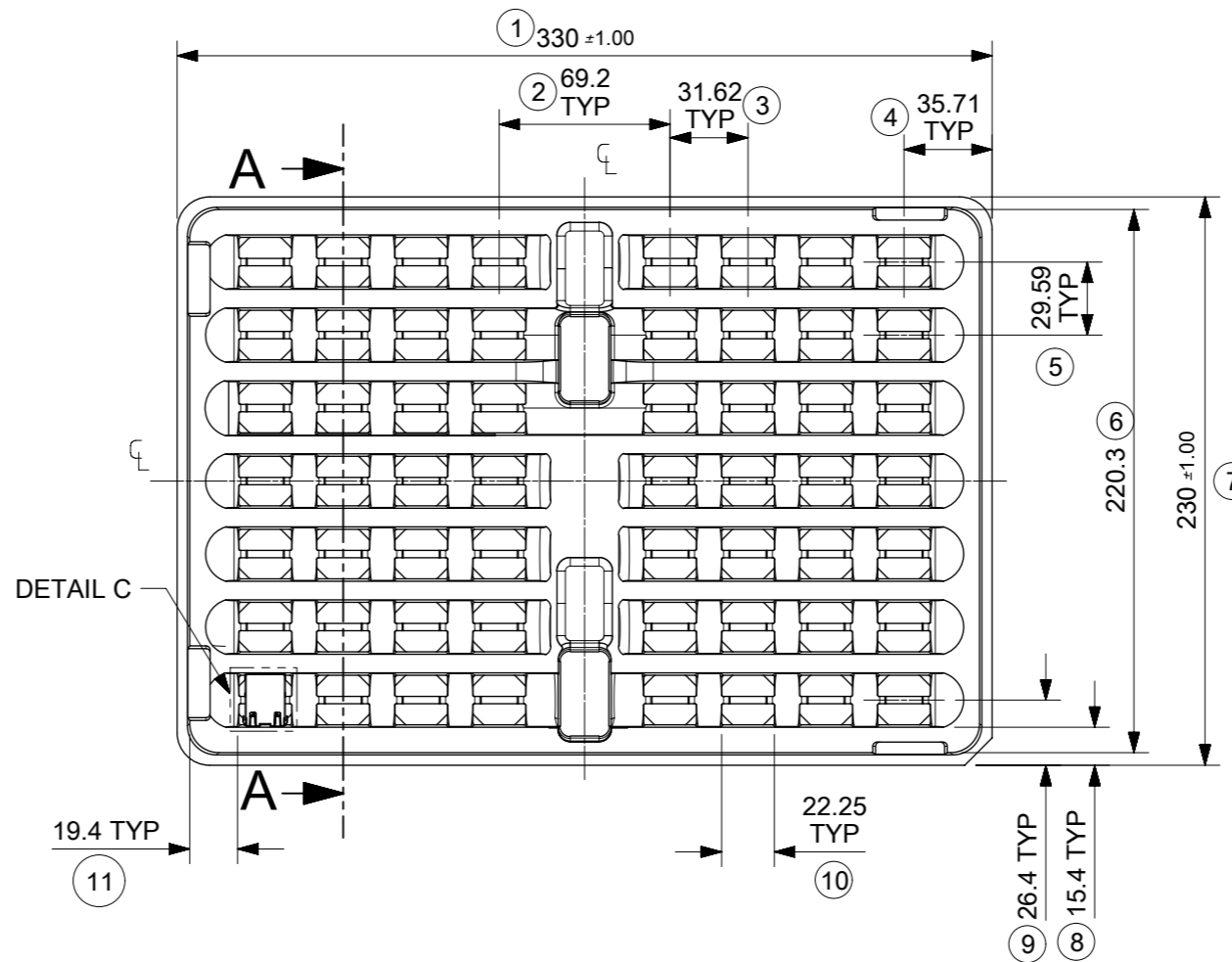


DETAIL B



DETAIL C
SCALE 2:1



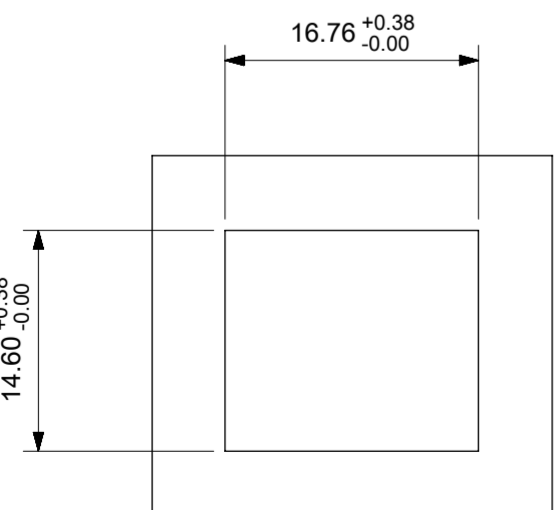
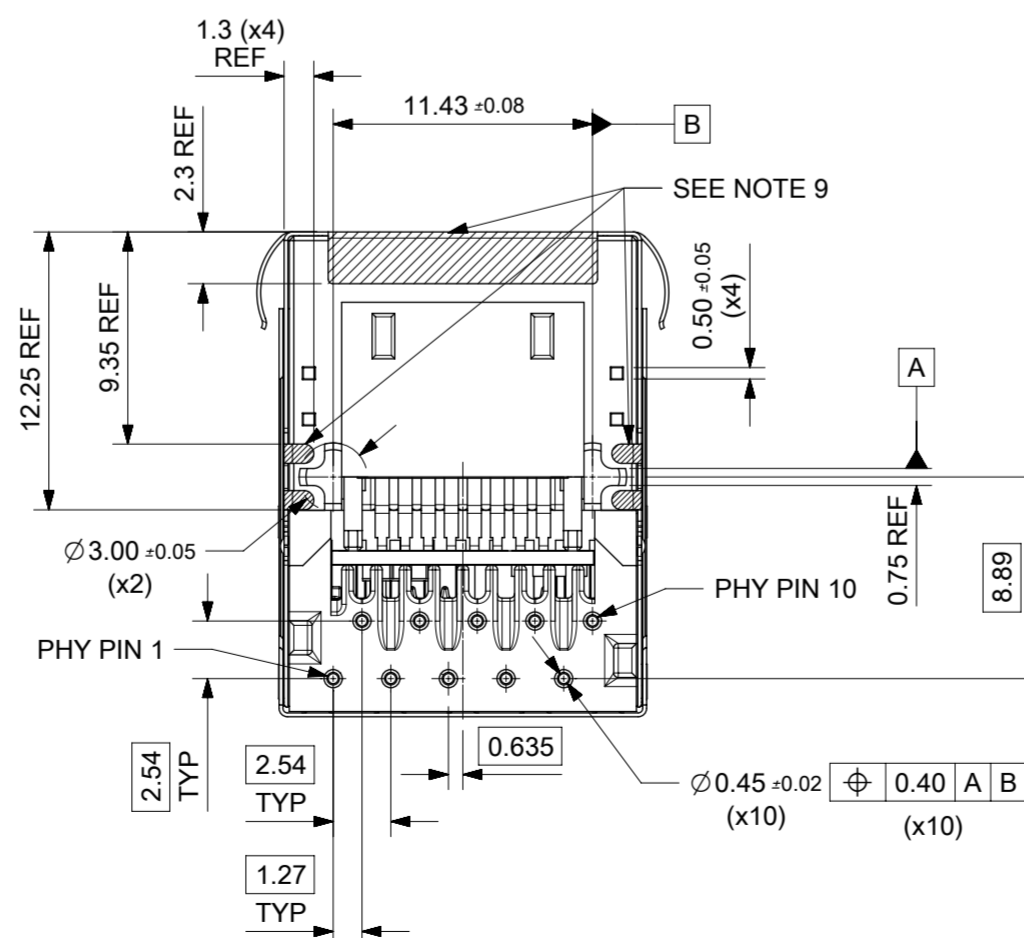
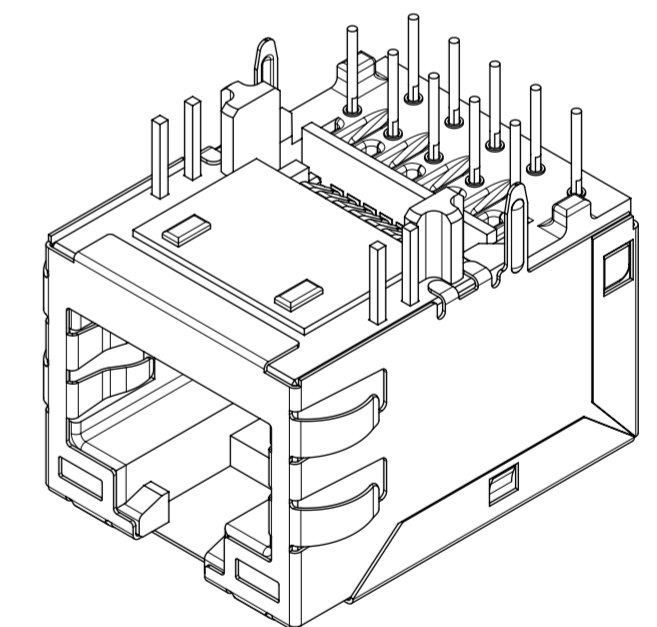
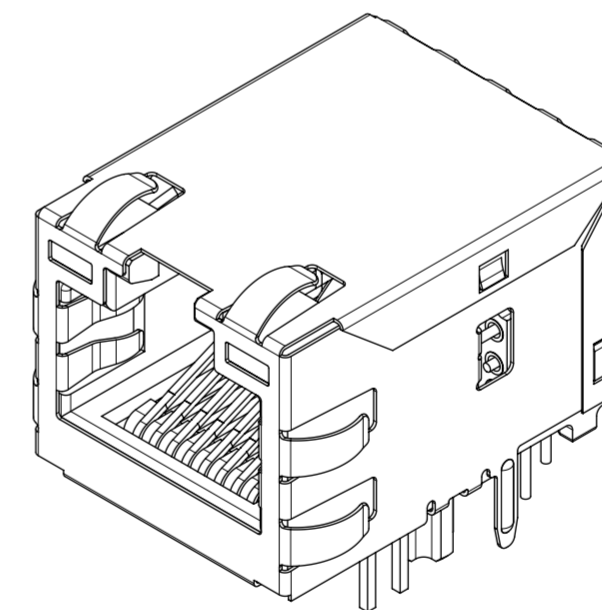
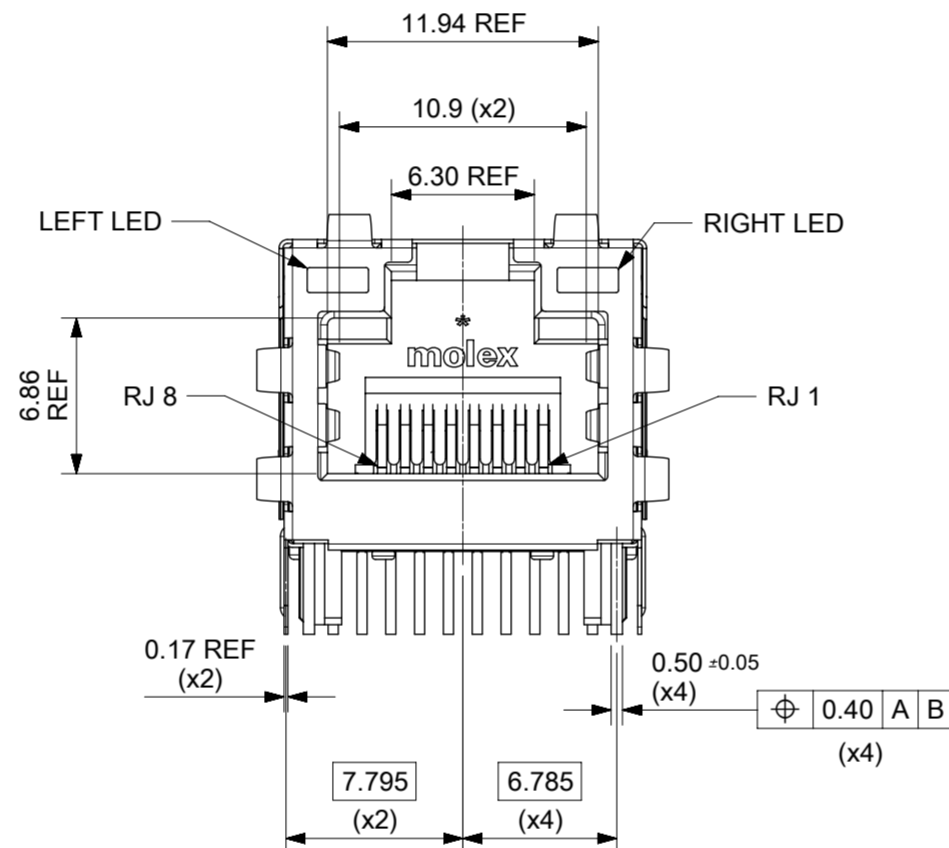
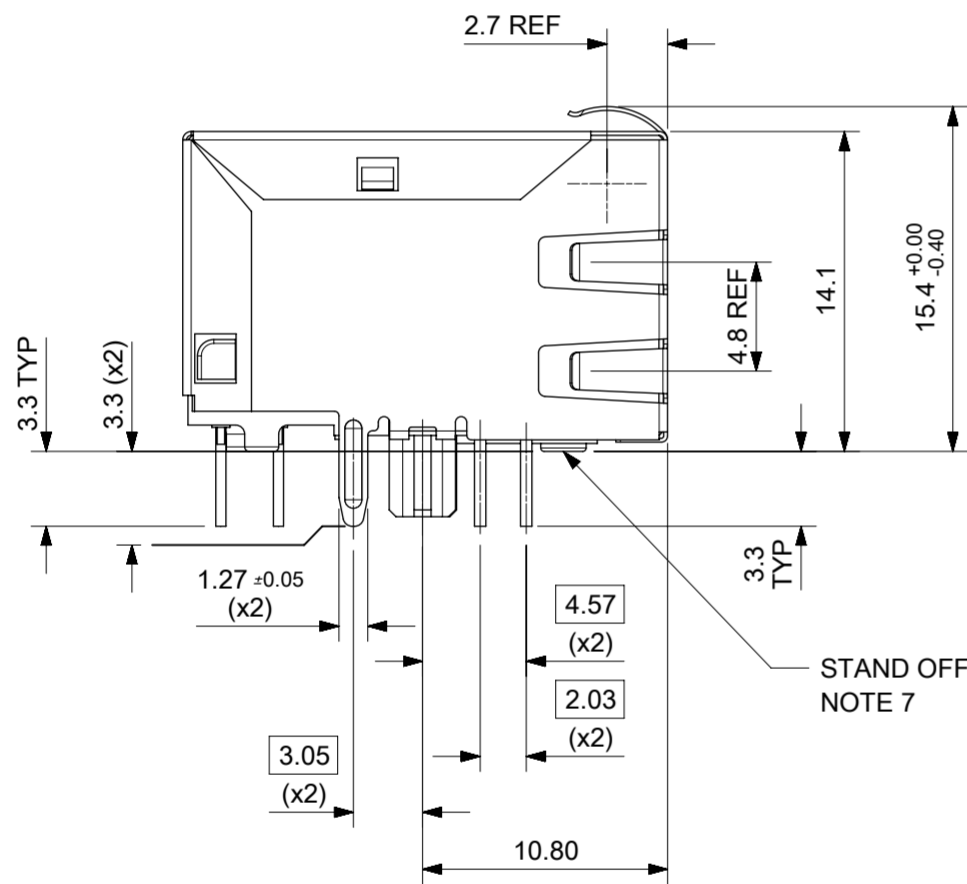
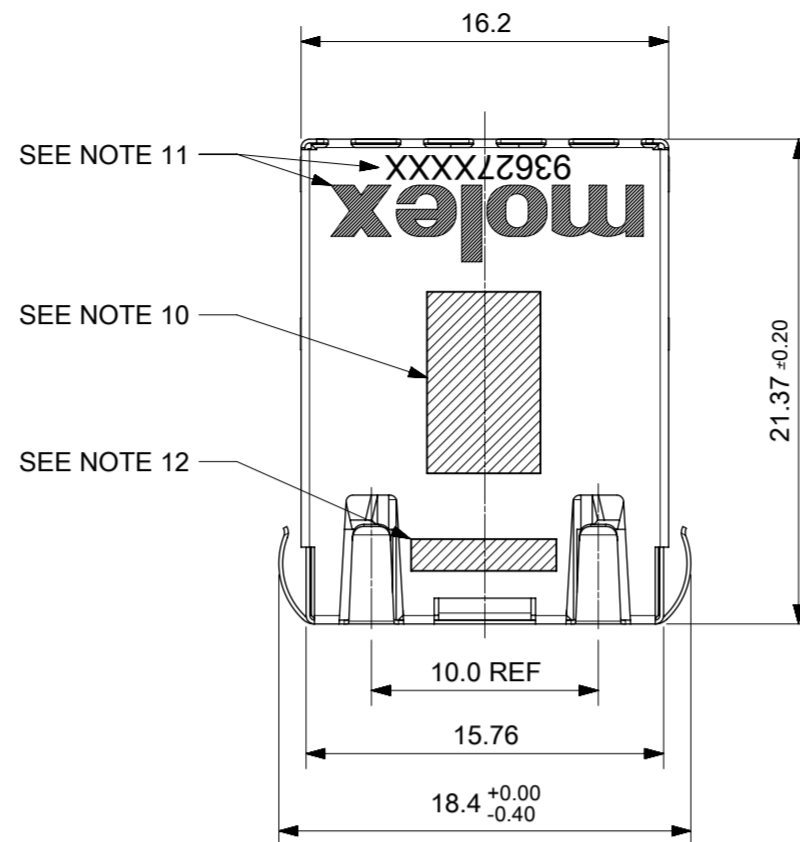
NOTES:

1. MATERIAL: PETA ANTISTATIC
2. THICKNESS: 0.9 mm ± 0.05 mm
3. COLOUR: CLEAR
4. BOW 2 mm MAXIMUM PER 330 mm
5. TWIST 2 mm MAXIMUM PER 330 mm
6. TRAY PART NO. AND RECYCLE LOGO TO BE CLEARLY MARKED ON TRAY
RECYCLE LOGO SHOULD BE APPROPRIATE TO MATERIAL USED
7. WHERE RELEVANT, DIMENSIONS SHOULD BE SYMMETRICAL ABOUT THE CENTRELINE
8. GENERAL PROFILE TOLERANCE $\overline{\cup}$ 0.40 ON NON DIMENSIONED FEATURES

LAST INSPECTION NUMBER USED: 12

THIS DRAWING CONTAINS INFORMATION THAT IS PROPRIETARY TO MOLEX ELECTRONIC TECHNOLOGIES, LLC AND SHOULD NOT BE USED WITHOUT WRITTEN PERMISSION									
DIMENSION UNITS		SCALE		CURRENT REV DESC: REMOVED REFERENCE TO QUANTITY OF TRAYS PER STACK				molex	
mm		1:3							
GENERAL TOLERANCES (UNLESS SPECIFIED)				EC NO: 602124				MXMAG STANDARD AND INVERTED TRAY	
ANGULAR TOL ± 1.0°				DRWN: DSHEA 2018/09/07					
4 PLACES ±				CHK'D: DBYRNES 2019/01/25				PRODUCT CUSTOMER DRAWING	
3 PLACES ±				APPR: DBYRNES 2019/01/25					
2 PLACES ± 0.2				INITIAL REVISION:				DOCUMENT NUMBER	
1 PLACE ± 0.5				DRWN: KREILLY 2016/05/06					
0 PLACES ±				APPR: STGRIFFIN 2016/12/07				934620003	
DRAFT WHERE APPLICABLE MUST REMAIN WITHIN DIMENSIONS		THIRD ANGLE PROJECTION		DRAWING		SERIES		MATERIAL NUMBER	
				A3-SIZE		93462		990250150	
						CUSTOMER		SHEET NUMBER	
						GENERAL MARKET		1 OF 1	

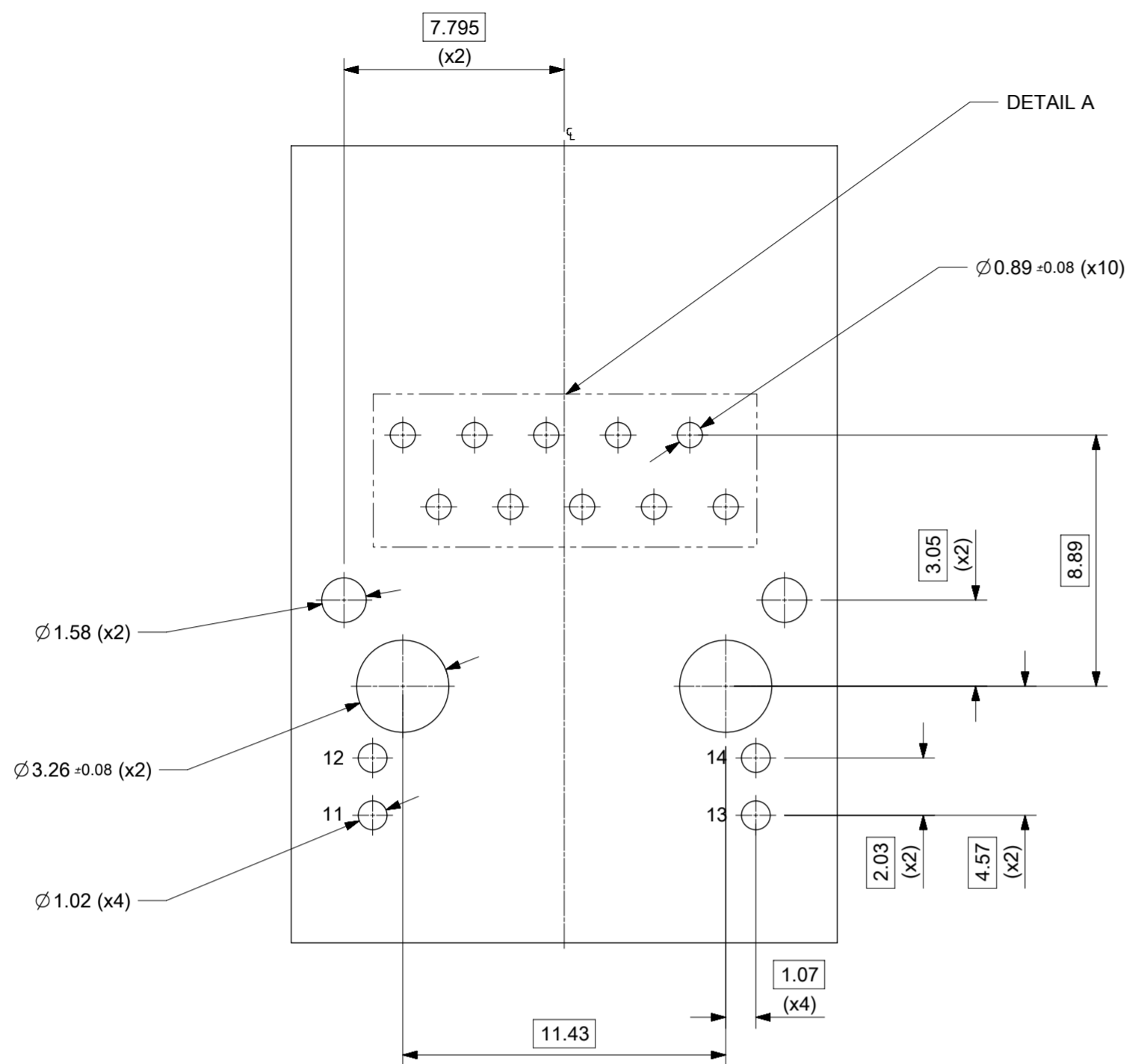
INVERTED PROFILE MAGNETIC JACK
GIGABIT ETHERNET W/LED
AND W/SHIELD TABS



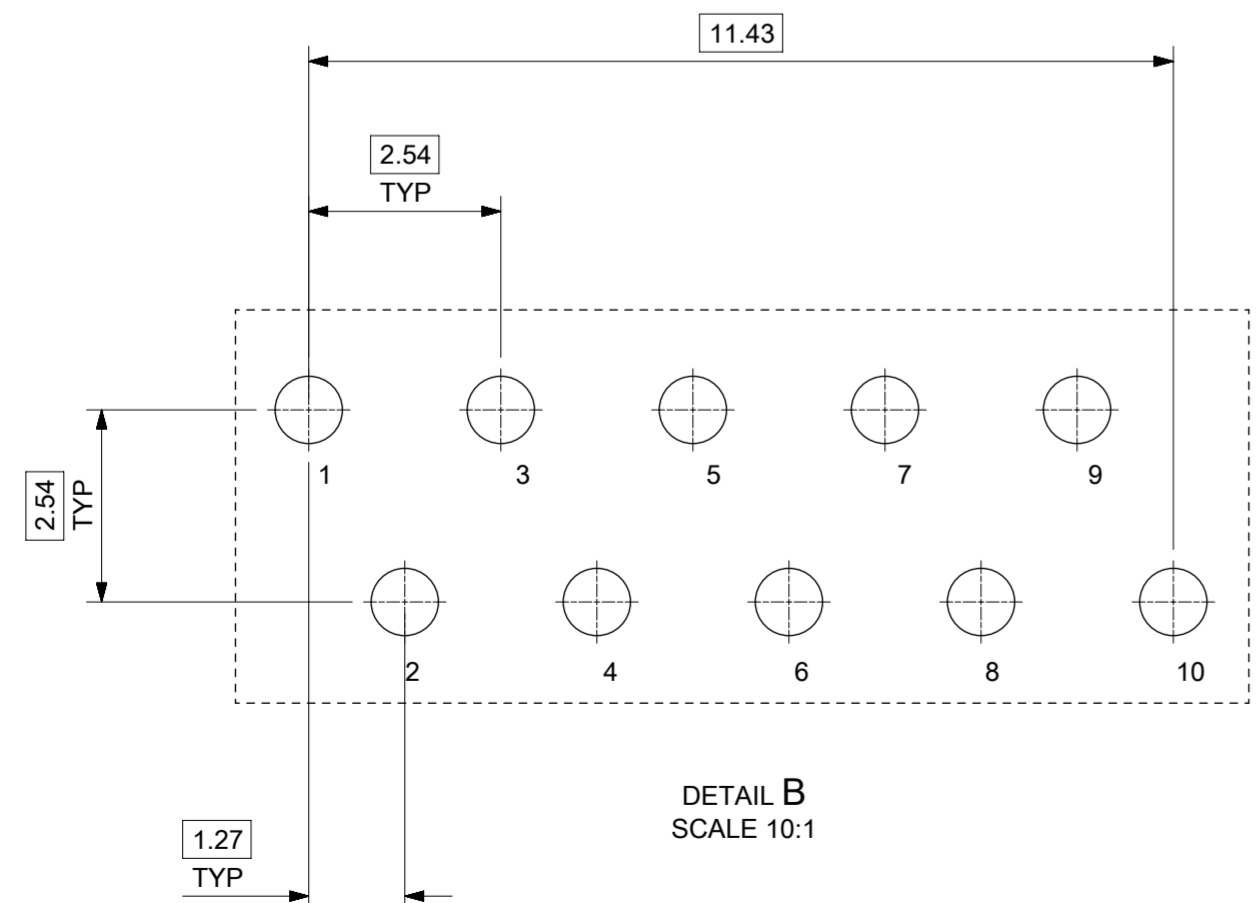
SUGGESTED PANEL CUT-OUT

- NOTES:
- SHIELD MATERIAL: 0.17 mm THICK BRASS PRE-PLATED WITH NICKEL
SOLDER TABS POST DIPPED WITH MIN 1.27 µm TIN
 - HOUSING MATERIAL: LCP, BLACK, UL 94V-0
 - TERMINALS MATERIAL: PHOSPHOR BRONZE
RJ45 CONTACTS PLATING: BASE NICKEL PLATED WITH GOLD
FLASH OVER PALLADIUM NICKEL. REFER TO 934620001 PSP
PHY SOLDER TAILS: COPPER ALLOY
 - MATING INTERFACE ACCORDING TO IEC 60603-7 & TIA-1096-A
 - PRODUCT SPECIFICATION: 934620001 PSP
 - PACKAGING SPECIFICATION: 934620001 PSK TRAY
 - STAND OFF TO SYSTEM BOARD 0.30 mm MIN
 - RECOMMENDED PCB THICKNESS: 1.57 mm
 - SHIELD: AVOID ROUTING TRACES
OR PLACING ANY VIAS BELOW THESE AREAS
 - AREA FOR PICK AND PLACE: 5.0 mm X 8.0 mm
 - INSCRIPTION MARKED BY LASER:
1st : MOLEX
2nd : P/N (SEE BOM)
 - INSCRIPTION MARKED BY LASER:
DATE CODE(DAY/WEEK/YEAR)
 - MATERIAL COMPLIANT TO RoHS DIRECTIVE 2002/95/EC

THIS DRAWING CONTAINS INFORMATION THAT IS PROPRIETARY TO MOLEX ELECTRONIC TECHNOLOGIES, LLC AND SHOULD NOT BE USED WITHOUT WRITTEN PERMISSION		GENERAL TOLERANCES (UNLESS SPECIFIED)		DIMENSION UNITS	SCALE	molex		
		mm		3:1	INV PRO MX MAG 8 CORE GIG W/LED W/EMI			
REVISED	2017/05/09	ANGULAR TOL ± 2.0 °		DRWN BY	DATE	PRODUCT CUSTOMER DRAWING		
	2017/09/12	4 PLACES ±	KREILLY	2015/08/31	SERIES MATERIAL NUMBER CUSTOMER			
	2017/09/26	3 PLACES ±	CHK'D BY	DATE	93627	SEE TABLE ON SHEET 2	GENERAL MARKET	
	EC NO: 116686	2 PLACES ± 0.1	DBYRNES	2017/02/22	DOCUMENT NUMBER	DOC TYPE	DOC PART	SHEET NUMBER
	DRWN: KREILLY	1 PLACE ± 0.2	STGRIFFIN	2015/11/20	936270003	PSD	000	1 OF 3
CHKD: DSHEA	0 PLACES ±	DRAFT WHERE APPLICABLE MUST REMAIN WITHIN DIMENSIONS		DRAWING SIZE	THIRD ANGLE PROJECTION			
APPR: DBYRNES	A2		A2					



SUGGESTED BOARD LAYOUT
GIGABIT VERSION
COMPONENT SIDE
ALL DIMS REFERENCE DIMS

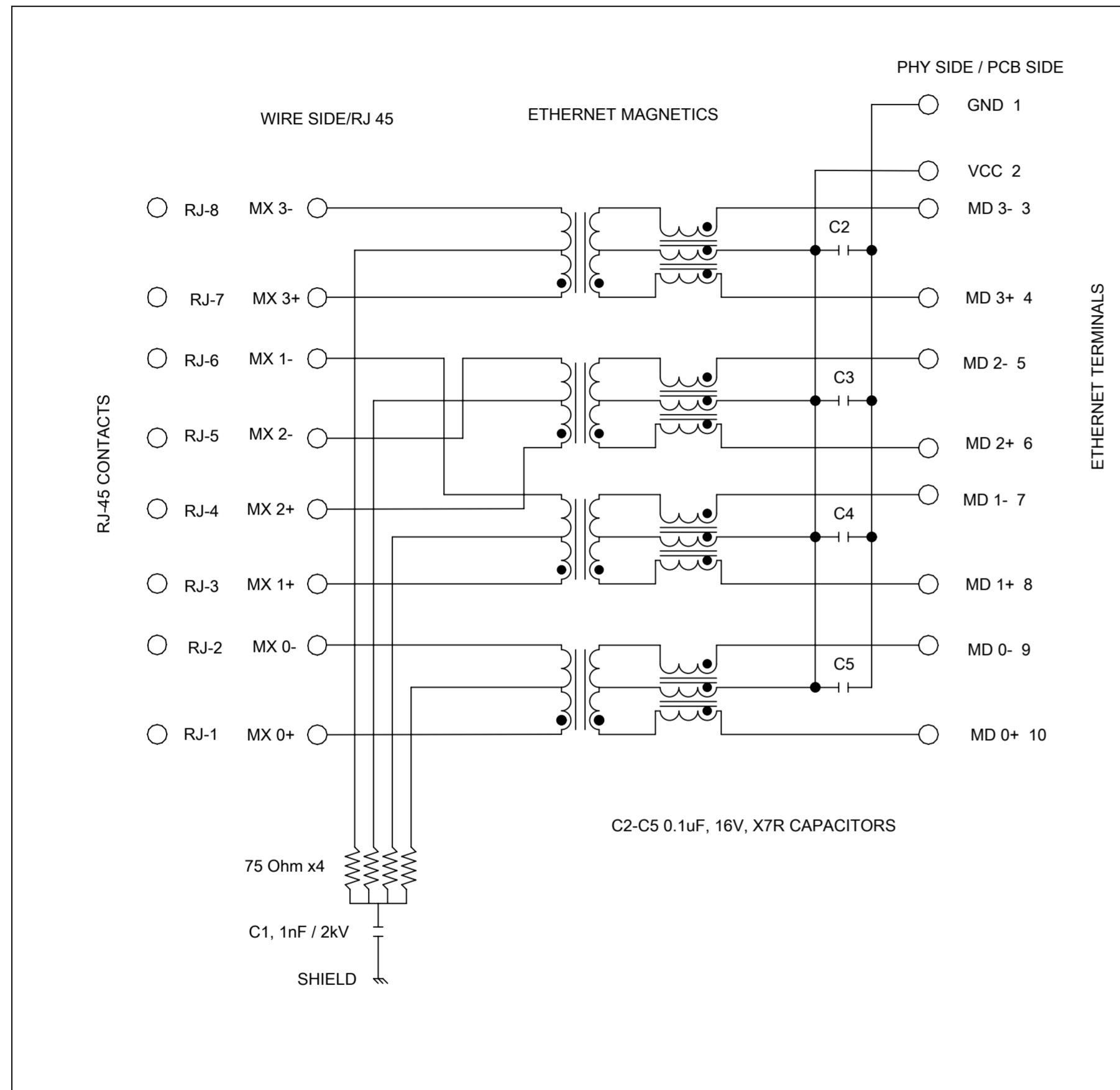


DETAIL B
SCALE 10:1
PIN CONFIGURATION
FOR GIGABIT VERSION

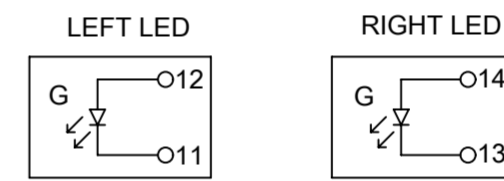
PART NUMBER	LEFT LED	RIGHT LED
93627-3601	GREEN	GREEN
93627-3606	GREEN	YELLOW
93627-3608	GREEN/YELLOW	GREEN/YELLOW

THIS DRAWING CONTAINS INFORMATION THAT IS PROPRIETARY TO MOLEX ELECTRONIC TECHNOLOGIES, LLC AND SHOULD NOT BE USED WITHOUT WRITTEN PERMISSION

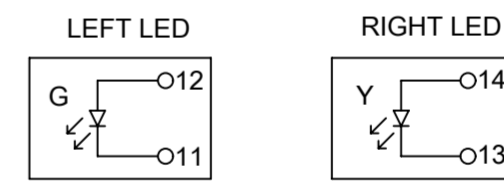
REVISED EC NO: 116686 DRWN: KREILLY CHKD: DSHEA REV APPR: DBYRNES	2017/05/09	2017/09/12	2017/09/26	GENERAL TOLERANCES (UNLESS SPECIFIED)	DIMENSION UNITS	SCALE			
				ANGULAR TOL ± 2.0 °	mm	5:1		INV PRO MX MAG 8 CORE GIG W/LED W/EMI	
	4 PLACES	±		DRWN BY	DATE	KREILLY			2015/08/31
	3 PLACES	±		CHK'D BY	DATE	DBYRNES		2017/02/22	
2 PLACES	±	0.1	APPR BY	DATE	STGRIFFIN	2015/11/20	PRODUCT CUSTOMER DRAWING		
1 PLACE	±	0.2					SERIES	MATERIAL NUMBER	CUSTOMER
0 PLACES	±						93627	SEE TABLE	GENERAL MARKET
DRAFT WHERE APPLICABLE MUST REMAIN WITHIN DIMENSIONS				DRAWING SIZE	THIRD ANGLE PROJECTION				
				A2					
						DOCUMENT NUMBER	DOC TYPE	DOC PART	SHEET NUMBER
						936270003	PSD	000	2 OF 3



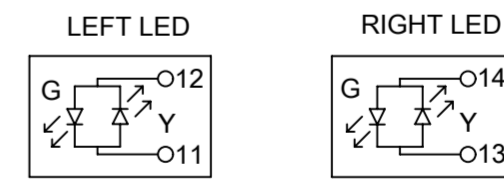
Description	Value	
OCL @100 kHz, 0.1 V 8 mA DC bias (0°C to +70°C)	350 μH min.	
Turns ratio	1CT:1CT	
Transmission characteristics @ 25°C, all four pairs		
Insertion Loss		
Frequency f, (MHz)	Limits (dB max.)	Typical Values (dB max.)
1.0-9.9	0.4+0.1*log(f)	0.5 @ 10 MHz
10-49.9	0.5+0.3*log(f/10)	0.7 @ 50 MHz
50-79.9	1+1.4*log(f/80)	1.0 @ 80 MHz
80-100	1.3+3*log(f/100)	1.3 @ 100 MHz
Return Loss		
Frequency f, (MHz)	Limits (dB min.)	Typical Values (dB min.)
1.0-39.9	18	18 @ 40 MHz
40-100	12-20*log(f/80)	10 @ 100 MHz
CMR		
Frequency f, (MHz)	Limits (dB min.)	Typical Values (dB min.)
1.0-100	30	30 @ 100 MHz
Next		
Frequency f, (MHz)	Limits (dB min.)	Typical Values (dB min.)
1.0-39.9	35	35 @ 40 MHz
40-100	33-20*log(f/50)	27 @ 100 MHz
Isolation PHY to wire side	2.25 kVDC/60sec	



93627-3601



93627-3606



BICOLOUR OPTION

BICOLOUR OPTION

93627-3608

THIS DRAWING CONTAINS INFORMATION THAT IS PROPRIETARY TO MOLEX ELECTRONIC TECHNOLOGIES, LLC AND SHOULD NOT BE USED WITHOUT WRITTEN PERMISSION												
REVISED	EC NO: 116686	DRWN: KREILLY	CHK'D: DSHEA	REV APPR: DBYRNES	DATE: 2017/05/09	DATE: 2017/09/12	DATE: 2017/09/26	DATE: 2015/08/31	DATE: 2017/02/22	DATE: 2015/11/20		
	GENERAL TOLERANCES (UNLESS SPECIFIED)				DIMENSION UNITS	SCALE	DRWN BY					
					mm	1:1	KREILLY					
	ANGULAR TOL ± 2.0 °				DRWN BY		DATE					
	4 PLACES ±				KREILLY		2015/08/31					
3 PLACES ±				CHK'D BY		DATE						
2 PLACES ± 0.1				DBYRNES		2017/02/22						
1 PLACE ± 0.2				APPR BY		DATE						
0 PLACES ±				STGRIFFIN		2015/11/20						
DRAFT WHERE APPLICABLE MUST REMAIN WITHIN DIMENSIONS				DRAWING SIZE	THIRD ANGLE PROJECTION	SERIES		MATERIAL NUMBER	CUSTOMER			
				A2		93627		SEE TABLE ON SHEET 2	GENERAL MARKET			
						DOCUMENT NUMBER		PSD	DOC PART	SHEET NUMBER		
						936270003		000	3 OF 3			