

MATERIALS & FINISHES

BODY: BRASS
PLATED GOLD

CONTACT: BERYLLIUM COPPER
PLATED GOLD

INSULATOR: TEFLON

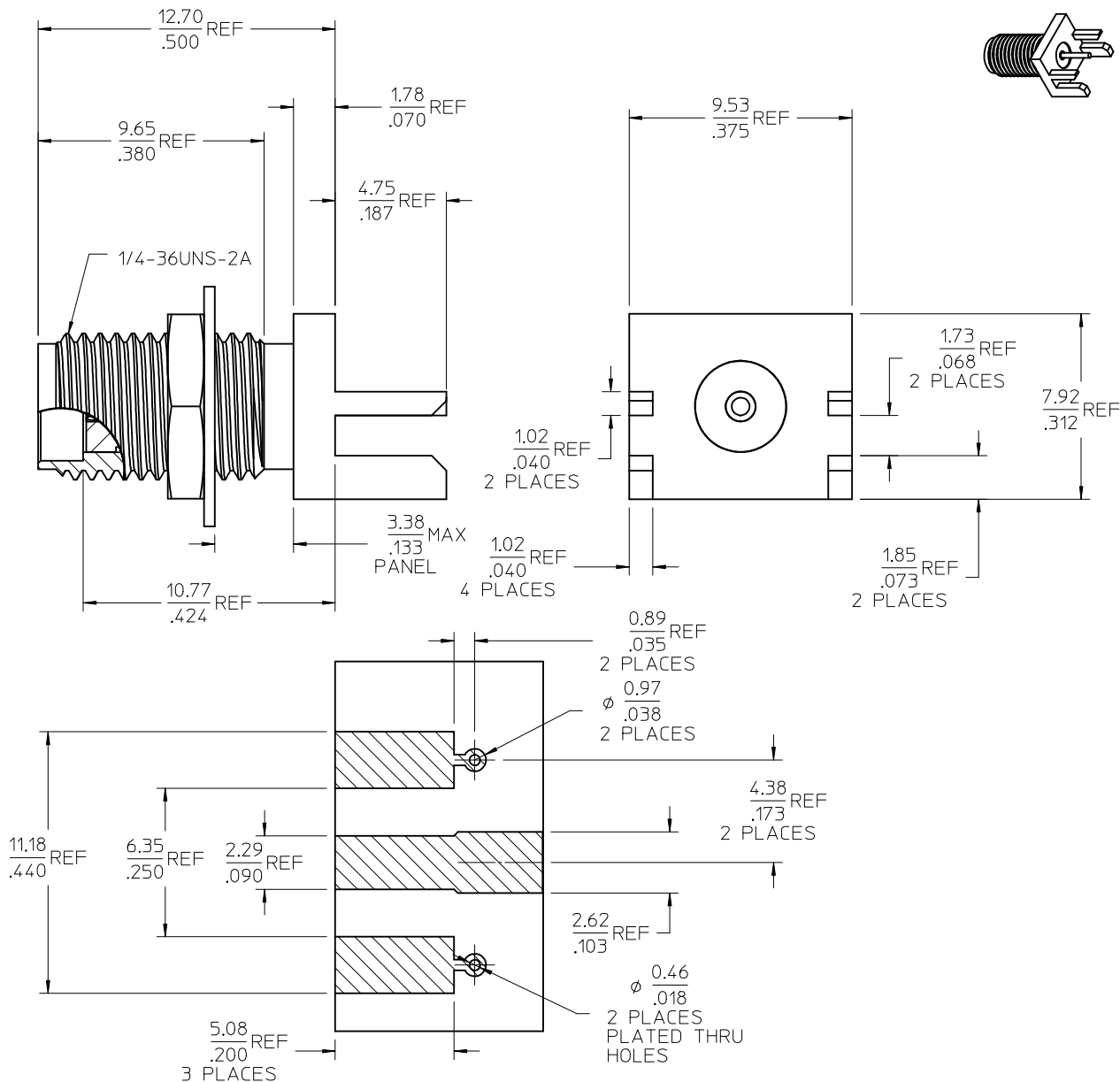
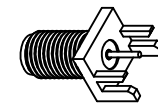
JAM NUT: BRASS
PLATED GOLD

LOCK WASHER: PHOSPHOR BRONZE
PLATED GOLD

HARDWARE:

JAM NUT: 7.877/310 HEX X 1.557/061

LOCK WASHER: ϕ 10.267/404 X ϕ 6.657/262 X .467/018



RECOMMENDED PCB LAYOUT

BOARD THICKNESS 1.577/062

PART # 73251-1290

MIL-STD-348A, FIG. 310.2	INTERFACE
SPECIFICATION	DESCRIPTION

CHG: ADDED .424 DIM AND THD	EC NO: URF2015-0141	QUALITY SYMBOLS
	DRWN:JLE02 2014/10/24	▽=0
CHKD:SSS 2014/10/24	APP:WSP/INK 2014/10/27	▽=0
REV	DESCRIPTION	A2

GENERAL TOLERANCES (UNLESS SPECIFIED)	
4 PLACES ±	--- ±
3 PLACES ±	--- ±
2 PLACES ±	--- ±
1 PLACE ±	--- ±
ANGULAR ± 2 °	
DRAFT WHERE APPLICABLE MUST REMAIN WITHIN DIMENSIONS	

DIMENSION STYLE	
MM/IN	
DRAWN BY	DATE
SSS	2000/08/00
CHECKED BY	DATE
SSS	2000/08/00
APPROVED BY	DATE
GMH	2000/08/00
MATERIAL NO.	DOCUMENT NO.
732511290	SD-73251-129
SIZE	THIS DRAWING CONTAINS INFORMATION THAT IS PROPRIETARY TO MOLEX INCORPORATED AND SHOULD NOT BE USED WITHOUT WRITTEN PERMISSION

TITLE	SMA, JACK EDGEMOUNT FOR .062 PCB SMA-J/PCB, EWR-2864
MOLEX INCORPORATED	
SHEET NO.	1 OF 1

SCALE	DESIGN UNITS	THIRD ANGLE PROJECTION
	METRIC	

MATERIALS & FINISHES

BODY: BRASS
PLATED GOLD

CONTACT: BERYLLIUM COPPER
PLATED GOLD

INSULATOR: TEFLON

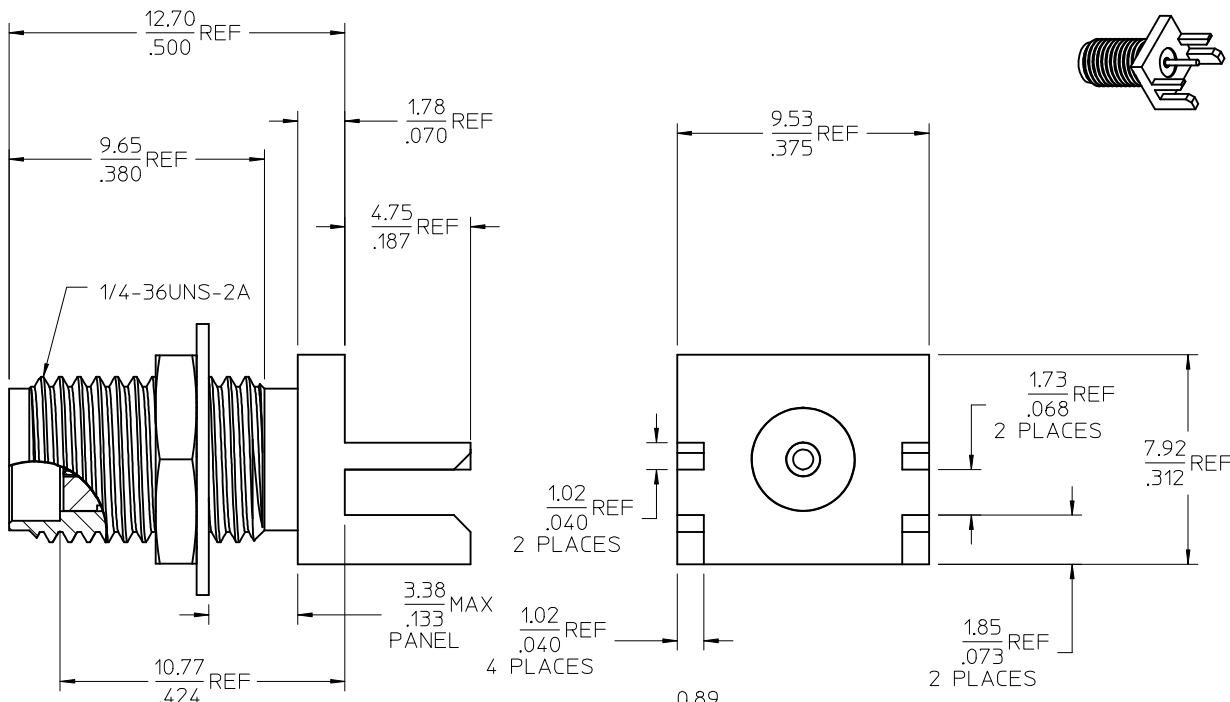
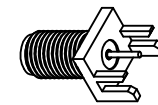
JAM NUT: BRASS
PLATED GOLD

LOCK WASHER: PHOSPHOR BRONZE
PLATED GOLD

HARDWARE:

JAM NUT: 7.877/310 HEX X 1.557/061

LOCK WASHER: ϕ 10.267/404 X ϕ 6.657/262 X .467/018



RECOMMENDED PCB LAYOUT

BOARD THICKNESS 1.577/062

PART # 73251-1290

MIL-STD-348A, FIG. 310.2	INTERFACE
SPECIFICATION	DESCRIPTION

CHG: ADDED .424 DIM AND THD	DESCRIPTION
EC NO: URF2015-0141	2014/10/24
DRWN:JLE02	2014/10/24
CHKD:SSS	2014/10/27
APPR:WSP/INK	2014/10/27
REV	A2

QUALITY SYMBOLS	$\nabla=0$	$\nabla=0$
-----------------	------------	------------

GENERAL TOLERANCES (UNLESS SPECIFIED)
4 PLACES \pm --- \pm ---
3 PLACES \pm --- \pm ---
2 PLACES \pm --- \pm ---
1 PLACE \pm --- \pm ---
ANGULAR \pm 2 °
DRAFT WHERE APPLICABLE MUST REMAIN WITHIN DIMENSIONS

DIMENSION STYLE	MM/IN
DRAWN BY	SSS
DATE	2000/08/00
CHECKED BY	SSS
DATE	2000/08/00
APPROVED BY	GMH
DATE	2000/08/00
MATERIAL NO.	732511290
SIZE	C

SCALE	DESIGN UNITS	THIRD ANGLE PROJECTION
	METRIC	
TITLE		
SMA, JACK EDGEMOUNT FOR .062 PCB SMA-J/PCB, EWR-2864		
MOLEX INCORPORATED		
DOCUMENT NO.	SD-73251-129	SHEET NO.
		1 OF 1
THIS DRAWING CONTAINS INFORMATION THAT IS PROPRIETARY TO MOLEX INCORPORATED AND SHOULD NOT BE USED WITHOUT WRITTEN PERMISSION		