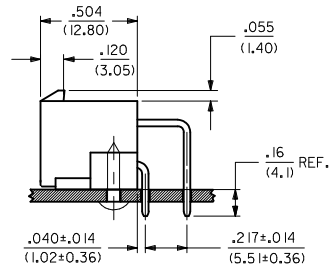
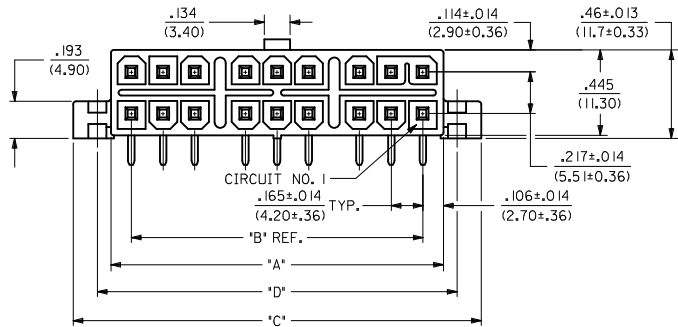
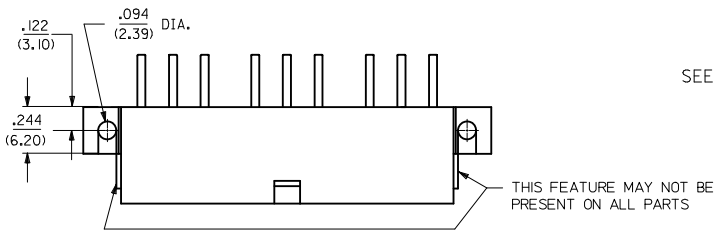


### OPTION A FLANGE MOUNT

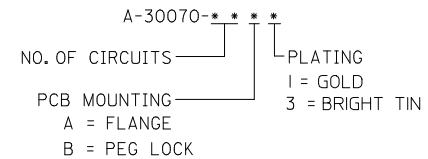
SEE SHT. 2 FOR ADDITIONAL INFORMATION

#### NOTES:

- MATERIALS:  
HOUSING: POLYESTER, UNFILLED, UL94 V-0, COLOR: BLACK  
PINS: BRASS
- PLATING:  
1=.000030/(0.00076) MIN. GOLD OVER  
.000050/(0.00127) MIN. NICKEL  
3=.000200/(0.00508) MIN. BRIGHT TIN OVER  
.000100/(0.00254) MIN. COPPER
- PRODUCT SPECIFICATION: PS-5556-003
- PACKAGING: BULK PACKAGING
- MATES WITH TPA RECEPTACLE NO. 30067-\*.  
PARTS ARE NOT DESIGNED TO BE MATED OR UNMATED WHILE CIRCUITS ARE LIVE.
- PART IS NOT DESIGNED FOR CURRENT SHARING.
- PART CONFORMS TO CLASS 'B' REQUIREMENTS OF COSMETIC SPECIFICATION PS-45499-002.

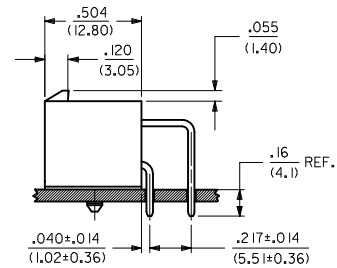
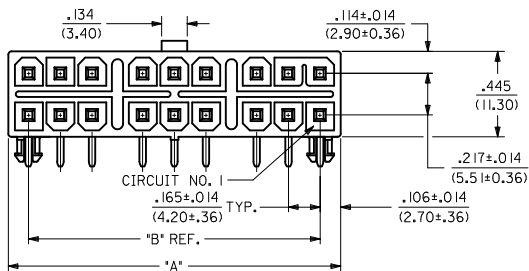
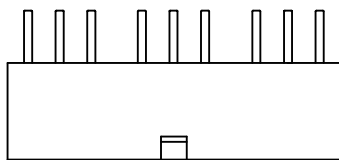


#### LEGEND



### OPTION B PEG MOUNT

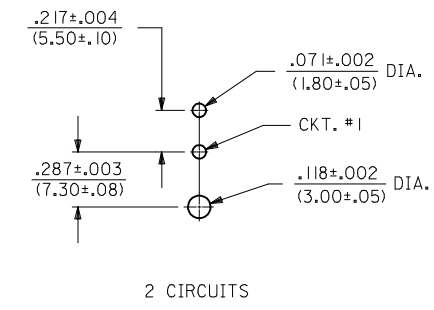
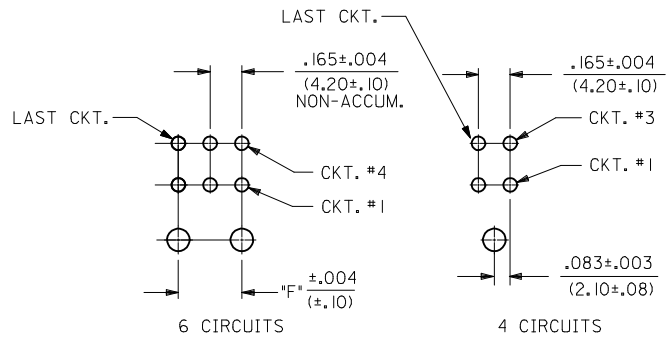
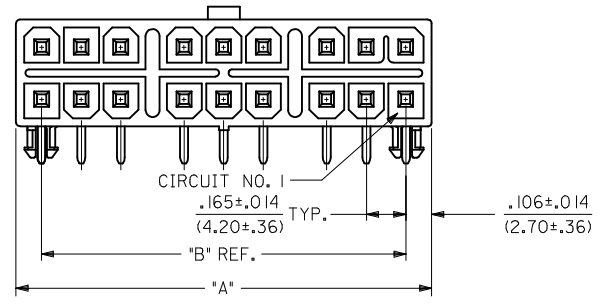
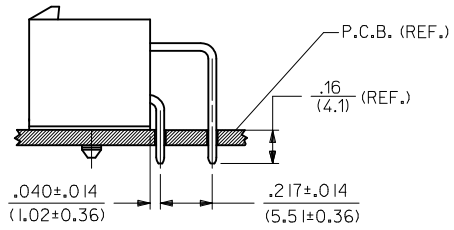
SEE SHT. 3 FOR ADDITIONAL INFORMATION



4	M1
3	M2
2	M4
1	M4
SHT REV.	

<b>ADD SCREW CALLOUT</b> EC NO: UCP2010-1556 DRWN: JAGUILAR 2009/12/29 CHKD: JIBELL 2009/12/30 APPR: FSMITH 2009/12/30 M4	<b>QUALITY SYMBOLS</b> ▽=0 ▽=0	<b>GENERAL TOLERANCES (UNLESS SPECIFIED)</b>		<b>DIMENSION STYLE</b> IN/MM		SCALE <b>2:1</b>	DESIGN UNITS METRIC	THIRD ANGLE PROJECTION	
		4 PLACES ± --- ± --- 3 PLACES ± --- ± .01 2 PLACES ± 0.25 ± .014 1 PLACE ± 0.36 ± ---	mm INCH	DRAWN BY DMF	DATE 1990/6/15	TITLE <b>MINI-FIT T.P.A. RIGHT ANGLE HEADER ASSEMBLY</b>			
		ANGULAR ±1/2°		CHECKED BY JRT	DATE 1990/6/15	MOLEX INCORPORATED			
		DRAFT WHERE APPLICABLE MUST REMAIN WITHIN DIMENSIONS		APPROVED BY SC	DATE 1990/6/15	MATERIAL NO. <b>SEE CHARTS</b>	DOCUMENT NO. <b>SDA-30070-****</b>	SHEET NO. <b>1 OF 4</b>	

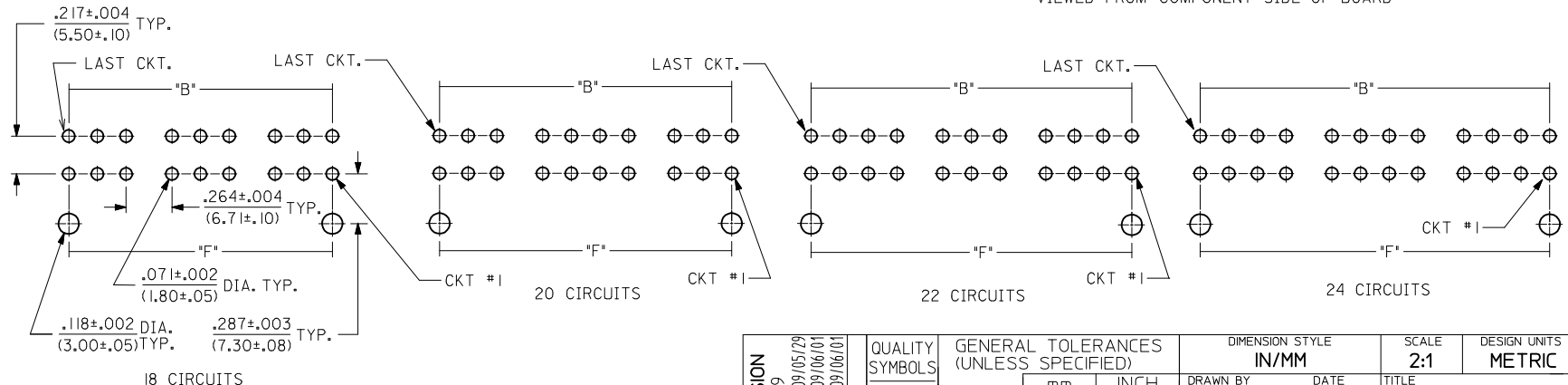
PEG MOUNT OPTION				
CKT. SIZE	ENG. NO.	DIM. "A"	DIM. "B"	DIM. "F"
2	A30070-02B*	.213 (5.40)	---	---
4	A30070-04B*	.378 (9.60)	.165 (4.20)	.16 (4.2)
6	A30070-06B*	.543 (13.80)	.331 (8.40)	.33 (8.4)
8	A30070-08B*	.709 (18.00)	.496 (12.60)	.50 (12.6)
10	A30070-10B*	.874 (22.20)	.661 (16.80)	.66 (16.8)
12	A30070-12B*	1.039 (26.40)	.827 (21.00)	.83 (21.0)
14	A30070-14B*	1.205 (30.60)	.992 (25.20)	.99 (25.2)
16	A30070-16B*	1.370 (34.80)	1.157 (29.40)	1.16 (29.4)
18	A30070-18B*	1.732 (44.00)	1.520 (38.60)	1.52 (38.6)
20	A30070-20B*	1.898 (48.20)	1.685 (42.80)	1.69 (42.8)
22	A30070-22B*	2.063 (52.40)	1.850 (47.00)	1.85 (47.0)
24	A30070-24B*	2.228 (56.60)	2.016 (51.20)	2.02 (51.2)



NOTE:  
DIMENSIONS SHOWN IN THIS  
VIEW ARE TYPICAL FOR ALL  
P.C.B. CONFIGURATIONS FROM  
6-16 CIRCUITS.

### OPTION "B" PEG MOUNT

RECOMMENDED HOLE LAYOUT FOR .070/(1.78) MAX. P.C.BOARD  
VIEWED FROM COMPONENT SIDE OF BOARD



NOTE:  
DIMENSIONS SHOWN IN THIS VIEW ARE  
TYPICAL FOR ALL P.C.B. CONFIGURATIONS  
OVER 18 CKTS.

<b>CORRECT DIMENSION</b> EC NO: UCP2009-0329 DRAWING: GAVILL 2009/05/29 CHKD: HK IPPER 2009/06/01 APPR: F. SMITH 2009/06/01 M2	QUALITY SYMBOLS ▽=0 ▽=0	GENERAL TOLERANCES (UNLESS SPECIFIED) <table border="1"> <tr> <th></th> <th>mm</th> <th>INCH</th> </tr> <tr> <td>4 PLACES ±</td> <td>---</td> <td>---</td> </tr> <tr> <td>3 PLACES ±</td> <td>---</td> <td>±.010</td> </tr> <tr> <td>2 PLACES ±</td> <td>0.25</td> <td>±.014</td> </tr> <tr> <td>1 PLACE ±</td> <td>0.36</td> <td>±---</td> </tr> </table>		mm	INCH	4 PLACES ±	---	---	3 PLACES ±	---	±.010	2 PLACES ±	0.25	±.014	1 PLACE ±	0.36	±---	DIMENSION STYLE <b>IN/MM</b>	SCALE <b>2:1</b>	DESIGN UNITS <b>METRIC</b>	THIRD ANGLE PROJECTION
		mm	INCH																		
	4 PLACES ±	---	---																		
	3 PLACES ±	---	±.010																		
2 PLACES ±	0.25	±.014																			
1 PLACE ±	0.36	±---																			
DRAFT WHERE APPLICABLE MUST REMAIN WITHIN DIMENSIONS	MATERIAL NO. <b>SEE CHART</b>	DRAWN BY DMF	DATE 1990/06/15	TITLE <b>MINI-FIT T.P.A. RIGHT ANGLE HEADER ASSEMBLY</b>	MOLEX INCORPORATED	SHEET NO. <b>3 OF 4</b>															
THIS DRAWING CONTAINS INFORMATION THAT IS PROPRIETARY TO MOLEX INCORPORATED AND SHOULD NOT BE USED WITHOUT WRITTEN PERMISSION	DOCUMENT NO. <b>SDA-30070-****</b>	APPROVED BY SC	DATE 1990/06/15	MOLEX	MOLEX INCORPORATED	SHEET NO. <b>3 OF 4</b>															

	13	12	11	10	9	8	7	6	5	4	3	2	1												
	PART NUMBER	ENG. NUMBER	CKT. SIZE	MTG. OPT.	PLATING (200 MI)	HSG. MAT'L.	PART NUMBER	ENG. NUMBER	CKT. SIZE	MTG. OPT.	PLATING	HSG. MAT'L.	PART NUMBER	ENG. NUMBER	CKT. SIZE	MTG. OPT.	PLATING	HSG. MAT'L.	PART NUMBER	ENG. NUMBER	CKT. SIZE	MTG. OPT.	PLATING	HSG. MAT'L.	
J	15-97-8022	A-30070-02A3	2	FLNG	TIN	94V-0	NO E.D.P.		2				15-97-8023	A-30070-02B3	2	PEGS	TIN	94V-0			2				
	15-97-8042	A-30070-04A3	4	↑	↑	↑	↑		4	↑	↑	↑	15-97-8043	A-30070-04B3	4	↑	↑	↑			4	↑	↑	↑	↑
	15-97-8062	A-30070-06A3	6						6				REL TO MFG	A-30070-06B3	6						6				
	15-97-8082	A-30070-08A3	8						8				↑	A-30070-08B3	8						8				
	15-97-8102	A-30070-10A3	10						10				↓	A-30070-10B3	10						10				
	15-97-8122	A-30070-12A3	12						12				↓	A-30070-12B3	12						12				
	REL TO MFG	A-30070-14A3	14						14				↓	A-30070-14B3	14						14				
I	15-97-8162	A-30070-16A3	16						16				REL TO MFG	A-30070-16B3	16						16				
	NO E.D.P.	A-30070-18A3	18						18				NO E.D.P.	A-30070-18B3	18						18				
	NO E.D.P.	A-30070-20A3	20						20				NO E.D.P.	A-30070-20B3	20						20				
	NO E.D.P.	A-30070-22A3	22	↓	↓	↓	↓		22	↓	↓	↓	NO E.D.P.	A-30070-22B3	22	↓	↓	↓			22	↓	↓	↓	↓
	NO E.D.P.	A-30070-24A3	24	FLNG	TIN	94V-0	NO E.D.P.		24				NO E.D.P.	A-30070-24B3	24	PEGS	TIN	94V-0			24				
H	PART NUMBER	ENG. NUMBER	CKT. SIZE	MTG. OPT.	PLATING (30 MI)	HSG. MAT'L.	PART NUMBER	ENG. NUMBER	CKT. SIZE	MTG. OPT.	PLATING	HSG. MAT'L.	PART NUMBER	ENG. NUMBER	CKT. SIZE	MTG. OPT.	PLATING (30 MI)	HSG. MAT'L.	PART NUMBER	ENG. NUMBER	CKT. SIZE	MTG. OPT.	PLATING	HSG. MAT'L.	
	15-97-8027	A-30070-02A1	2	FLNG	GOLD	94V-0			2				15-97-8028	A-30070-02B1	2	PEGS	GOLD	94V-0			2				
	15-97-8047	A-30070-04A1	4	↑	↑	↑			4	↑	↑	↑	15-97-8048	A-30070-04B1	4	↑	↑	↑			4	↑	↑	↑	
	15-97-8067	A-30070-06A1	6						6				REL TO MFG	A-30070-06B1	6						6				
	15-97-8087	A-30070-08A1	8						8				↑	A-30070-08B1	8						8				
	15-97-8107	A-30070-10A1	10						10				↓	A-30070-10B1	10						10				
	15-97-8127	A-30070-12A1	12						12				↓	A-30070-12B1	12						12				
G	REL TO MFG	A-30070-14A1	14						14				↓	A-30070-14B1	14						14				
	15-97-8167	A-30070-16A1	16						16				REL TO MFG	A-30070-16B1	16						16				
	NO E.D.P.	A-30070-18A1	18						18				NO E.D.P.	A-30070-18B1	18						18				
	NO E.D.P.	A-30070-20A1	20						20				NO E.D.P.	A-30070-20B1	20						20				
	NO E.D.P.	A-30070-22A1	22	↓	↓	↓	↓		22	↓	↓	↓	NO E.D.P.	A-30070-22B1	22	↓	↓	↓			22	↓	↓	↓	↓
	NO E.D.P.	A-30070-24A1	24	FLNG	GOLD	94V-0			24				NO E.D.P.	A-30070-24B1	24	PEGS	GOLD	94V-0			24				
F	PART NUMBER	ENG. NUMBER	CKT. SIZE	MTG. OPT.	PLATING	HSG. MAT'L.	PART NUMBER	ENG. NUMBER	CKT. SIZE	MTG. OPT.	PLATING	HSG. MAT'L.	PART NUMBER	ENG. NUMBER	CKT. SIZE	MTG. OPT.	PLATING	HSG. MAT'L.	PART NUMBER	ENG. NUMBER	CKT. SIZE	MTG. OPT.	PLATING	HSG. MAT'L.	
			2						2						2						2				
			4	↑	↑	↑			4	↑	↑	↑			4	↑	↑	↑			4	↑	↑	↑	
			6						6						6						6				
			8						8						8						8				
			10						10						10						10				
E			12						12						12						12				
			14						14						14						14				
			16						16						16						16				
			18						18						18						18				
			20						20						20						20				
			22	↓	↓	↓	↓		22	↓	↓	↓			22	↓	↓	↓			22	↓	↓	↓	
D			24						24						24						24				

A	B	C	D	E	F	G	H	I	J	<table border="1"> <tr> <td rowspan="4">UPDATE TITLE BLOCK EC NO: UCP2008-1664 DRAWN: SCHMIDT 2008/01/25 CHKD: JEBELL 2008/01/25 APPR: FSM/TH 2008/01/28</td> <td rowspan="4">DESCRIPTION REV M1</td> <td rowspan="4">QUALITY SYMBOLS ▽=0 ▽=0</td> <td colspan="2">GENERAL TOLERANCES (UNLESS SPECIFIED)</td> <td colspan="2">DIMENSION STYLE IN/MM</td> <td>SCALE ---</td> <td>DESIGN UNITS METRIC</td> <td colspan="2">THIRD ANGLE PROJECTION</td> </tr> <tr> <td>4 PLACES ±---</td> <td>±---</td> <td>mm</td> <td>INCH</td> <td>DRAWN BY DMF</td> <td>DATE 1990/06/15</td> <td colspan="4" rowspan="2">TITLE MINI-FIT T.P.A. RIGHT ANGLE HEADER ASSEMBLY</td> </tr> <tr> <td>3 PLACES ±---</td> <td>±---</td> <td></td> <td></td> <td>CHECKED BY JRT</td> <td>DATE 1990/06/15</td> </tr> <tr> <td>2 PLACES ±---</td> <td>±---</td> <td></td> <td></td> <td>APPROVED BY SC</td> <td>DATE 1990/06/15</td> <td colspan="2">MOLEX INCORPORATED</td> <td>DOCUMENT NO. SDA-30070-****</td> <td>SHEET NO. 4 OF 4</td> </tr> </table>														UPDATE TITLE BLOCK EC NO: UCP2008-1664 DRAWN: SCHMIDT 2008/01/25 CHKD: JEBELL 2008/01/25 APPR: FSM/TH 2008/01/28	DESCRIPTION REV M1	QUALITY SYMBOLS ▽=0 ▽=0	GENERAL TOLERANCES (UNLESS SPECIFIED)		DIMENSION STYLE IN/MM		SCALE ---	DESIGN UNITS METRIC	THIRD ANGLE PROJECTION		4 PLACES ±---	±---	mm	INCH	DRAWN BY DMF	DATE 1990/06/15	TITLE MINI-FIT T.P.A. RIGHT ANGLE HEADER ASSEMBLY				3 PLACES ±---	±---			CHECKED BY JRT	DATE 1990/06/15	2 PLACES ±---	±---			APPROVED BY SC	DATE 1990/06/15	MOLEX INCORPORATED		DOCUMENT NO. SDA-30070-****	SHEET NO. 4 OF 4
										UPDATE TITLE BLOCK EC NO: UCP2008-1664 DRAWN: SCHMIDT 2008/01/25 CHKD: JEBELL 2008/01/25 APPR: FSM/TH 2008/01/28	DESCRIPTION REV M1	QUALITY SYMBOLS ▽=0 ▽=0	GENERAL TOLERANCES (UNLESS SPECIFIED)		DIMENSION STYLE IN/MM		SCALE ---	DESIGN UNITS METRIC	THIRD ANGLE PROJECTION																																									
													4 PLACES ±---	±---	mm	INCH	DRAWN BY DMF	DATE 1990/06/15	TITLE MINI-FIT T.P.A. RIGHT ANGLE HEADER ASSEMBLY																																									
													3 PLACES ±---	±---			CHECKED BY JRT	DATE 1990/06/15																																										
2 PLACES ±---	±---			APPROVED BY SC	DATE 1990/06/15	MOLEX INCORPORATED		DOCUMENT NO. SDA-30070-****	SHEET NO. 4 OF 4																																																			
DRAFT WHERE APPLICABLE MUST REMAIN WITHIN DIMENSIONS										SEE CHART		THIS DRAWING CONTAINS INFORMATION THAT IS PROPRIETARY TO MOLEX INCORPORATED AND SHOULD NOT BE USED WITHOUT WRITTEN PERMISSION																																																