

**PLEASE CHECK WWW.MOLEX.COM FOR LATEST PART INFORMATION**

**Part Number:** [0443000400](#)  
**Status:** **Active**  
**Overview:** [Micro-Fit, 3.0™](#)  
**Description:** 3.00mm (.118") Micro-Fit 3.0 BMI™ Plug Housing, Dual Row, Panel Mount, 4 Circuits

**Documents:**

<a href="#">Product Literature (PDF)</a>	<a href="#">Drawing (PDF)</a>
<a href="#">Product Literature (PDF)</a>	<a href="#">Product Specification PS-44300-001 (PDF)</a>
<a href="#">3D Model</a>	<a href="#">RoHS Certificate of Compliance (PDF)</a>

**General**

Product Family	Crimp Housings
Series	44300
Overview	<a href="#">Micro-Fit, 3.0™</a>
Product Name	Micro-Fit 3.0 BMI™

**Physical**

Circuits (maximum)	4
Color - Resin	Black
Flammability	94V-0
Gender	Male
Glow-Wire Compliant	No
Material - Resin	Polyester
Number of Rows	2
Packaging Type	Bag
Panel Mount	Yes
Pitch - Mating Interface (in)	0.118 In
Pitch - Mating Interface (mm)	3.00 mm
Stackable	No
Temperature Range - Operating	-40°C to +105°C

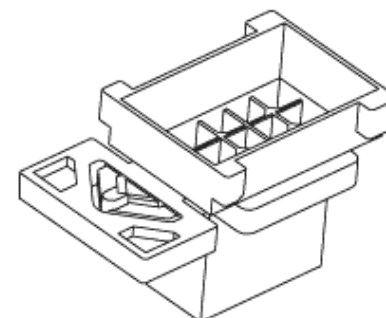
**Electrical**

CSA	LR19980
Current - Maximum	5A
TUV	R72081037
UL	E29179

**Material Info**

**Reference - Drawing Numbers**

Product Specification	PS-44300-001
Product Specification	RPS-44300-001
Sales Drawing	SD-44300-001



*Series image - Reference only*

**EU RoHS**

**ELV and RoHS  
Compliant**  
**REACH SVHC  
Contains SVHC: No  
Halogen-Free  
Status**

**China RoHS**



**Need more information on product  
environmental compliance?**

Email [productcompliance@molex.com](mailto:productcompliance@molex.com)  
Please visit the [Contact Us](#) section for any non-product compliance questions.

**Search Parts in this Series**

[44300 Series](#)

**Mates With**

[44133](#) , [44764](#) , [44769](#)

**Use With**

[43031](#)

**PLEASE CHECK WWW.MOLEX.COM FOR LATEST PART INFORMATION**