

PLEASE CHECK WWW.MOLEX.COM FOR LATEST PART INFORMATION

Part Number: [0471030001](#)

Status: **Active**

Overview:

Description: 2.00mm (.079") Pitch Battery Connector, SMT, Contact Width 1.20mm (.047"), 4 Circuits, Lead-free

Documents:

[3D Model](#)

[Product Specification PS-47103-001 \(PDF\)](#)

[Drawing \(PDF\)](#)

[RoHS Certificate of Compliance \(PDF\)](#)

General

Product Family	PCB Headers
Series	47103
Application	Board-to-Board
Comments	Dimple on Contact Area
Overview	Battery Connectors
Product Name	Battery Connector
Product Name	Compression Connector
Product Name	One Piece

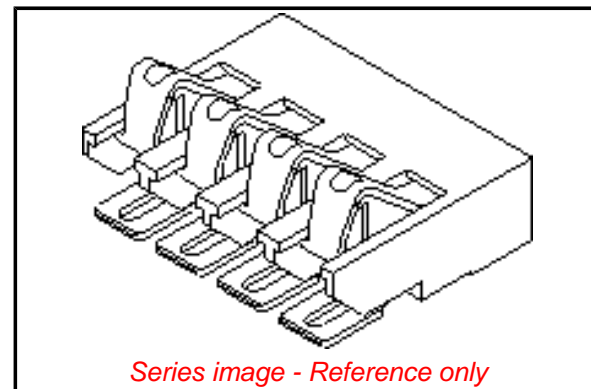
Physical

Breakaway	No
Circuits (Loaded)	4
Circuits (maximum)	4
Durability (mating cycles max)	10,000
First Mate / Last Break	Yes
Glow-Wire Compliant	No
Guide to Mating Part	No
Keying to Mating Part	None
Lock to Mating Part	None
Mated Height (in)	0.091 In
Mated Height (mm)	2.30 mm
Material - Plating Mating	Gold
Material - Plating Termination	Tin
Number of Rows	1
Orientation	Vertical
PCB Locator	No
PCB Retention	None
Packaging Type	Embossed Tape on Reel
Pitch - Mating Interface (in)	0.079 In
Pitch - Mating Interface (mm)	2.00 mm
Plating min: Mating (µin)	30
Plating min: Mating (µm)	0.76
Plating min: Termination (µin)	150
Plating min: Termination (µm)	3.80
Polarized to Mating Part	No
Polarized to PCB	No
Shrouded	No
Stackable	No
Temperature Range - Operating	-40°C to +85°C
Termination Interface: Style	Surface Mount

Electrical

Current - Maximum	1A
Voltage - Maximum	200V

Material Info



Series image - Reference only

EU RoHS

**ELV and RoHS
Compliant**

REACH SVHC

Contains SVHC: No

Halogen-Free

Status

Not Reviewed

China RoHS



**Need more information on product
environmental compliance?**

Email productcompliance@molex.com
Please visit the [Contact Us](#) section for any
non-product compliance questions.

Search Parts in this Series

[47103 Series](#)

Reference - Drawing Numbers

Product Specification

Sales Drawing

PS-47103-001

SD-47103-001

This document was generated on 11/05/2009

PLEASE CHECK WWW.MOLEX.COM FOR LATEST PART INFORMATION