

PLEASE CHECK WWW.MOLEX.COM FOR LATEST PART INFORMATION

Part Number: [0878305021](#)
Status: **Active**
Overview:
Description: 2.00mm (.079") Pitch Milli-Grid™ Straddle Mount Header, 50 Circuits, 0.38µm (15µ") Gold (Au) Selective Plating, Tray Packaging, Lead-free

Documents:

[3D Model](#) [RoHS Certificate of Compliance \(PDF\)](#)
[Drawing \(PDF\)](#)

General

Product Family	PCB Headers
Series	87830
Application	Board-to-Board
Overview	Milli-Grid™
Product Name	Milli-Grid™

Physical

Breakaway	Yes
Circuits (Loaded)	50
Circuits (maximum)	50
First Mate / Last Break	No
Glow-Wire Compliant	No
Guide to Mating Part	No
Keying to Mating Part	None
Lock to Mating Part	None
Material - Plating Mating	Gold
Material - Plating Termination	Tin
Number of Rows	2
Orientation	Vertical
PCB Locator	No
PCB Retention	None
PCB Thickness Recommended (in)	0.039 In
PCB Thickness Recommended (mm)	1.00 mm
Packaging Type	Tray
Pitch - Mating Interface (in)	0.079 In
Pitch - Mating Interface (mm)	2.00 mm
Pitch - Term. Interface (in)	0.079 In
Pitch - Term. Interface (mm)	2.00 mm
Plating min: Mating (µin)	15
Plating min: Mating (µm)	0.38
Plating min: Termination (µin)	75
Plating min: Termination (µm)	1.90
Polarized to Mating Part	No
Polarized to PCB	No
Shrouded	No
Stackable	Yes
Temperature Range - Operating	-55°C to +105°C
Termination Interface: Style	Straddle Mount

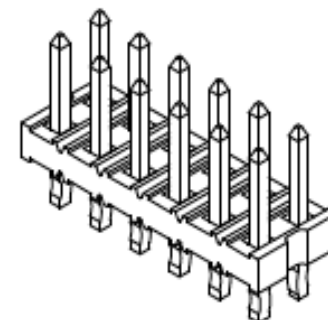
Electrical

Current - Maximum	2A
Voltage - Maximum	125V

Material Info

Reference - Drawing Numbers

Sales Drawing	SD-87830-003
---------------	--------------



Series image - Reference only

EU RoHS

ELV and RoHS Compliant
REACH SVHC Contains SVHC: No
Halogen-Free Status
Not Reviewed

China RoHS



Need more information on product environmental compliance?

Email productcompliance@molex.com
Please visit the [Contact Us](#) section for any non-product compliance questions.

Duration at Max.	14
Process Temperature (seconds)	
Lead-free Process Capability	Reflow Capable (SMT only)
Max. Cycles at Max.	1
Process Temperature	
Process Temperature max. C	265

Search Parts in this Series

[87830 Series](#)

Mates With

[79107](#) Board-to-Board Top Entry Through Hole Receptacle. [79108](#) Board-to-Board FFC/FPC Top Entry Through Hole Receptacle. [79109](#) Board-to-Board Top/Bottom Entry SMT Receptacle. [87381](#) Board-to-Board Top Entry SMT Receptacle

This document was generated on 11/05/2009

PLEASE CHECK WWW.MOLEX.COM FOR LATEST PART INFORMATION