

PLEASE CHECK WWW.MOLEX.COM FOR LATEST PART INFORMATION

Part Number: [0459841461](#)

Status: **Active**

Overview:

Description: 1.27mm (.050"), 12.00mm (.472") Pitch, EXTreme LPHPower™ Receptacle Header, Right Angle, 10 Power Contacts, 32 Signal Contacts, Select Gold (Au) Plating, for 3.18mm (.125") Thick PC Board, with Guide Posts, with Press-fit Plastic Pegs

Documents:

[3D Model](#)

[Product Specification PS-45984-001 \(PDF\)](#)

[Drawing \(PDF\)](#)

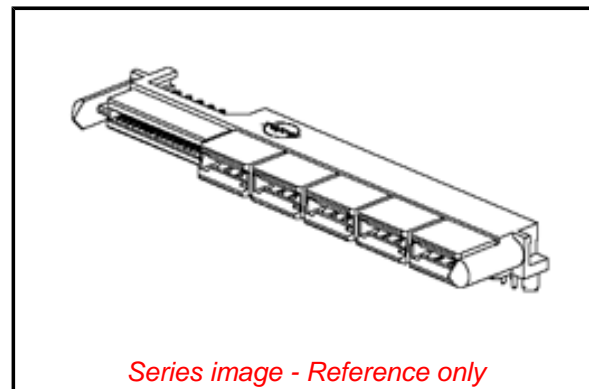
[RoHS Certificate of Compliance \(PDF\)](#)

General

Product Family	PCB Receptacles
Series	45984
Application	Board-to-Board
Overview	EXTreme LPHPower™#153;
Product Name	EXTreme LPHPower™

Physical

Circuits (Loaded)	42
Circuits (maximum)	42
Circuits Detail	10 Power, 32 Signal
Color - Resin	Black
Durability (mating cycles max)	250
Flammability	94V-0
Glow-Wire Compliant	No
Guide to Mating Part	Yes
Keying to Mating Part	Yes
Lock to Mating Part	No
Material - Metal	High Performance Alloy (HPA)
Material - Metal	Phosphor Bronze
Material - Plating Mating	Gold
Material - Plating Termination	Tin
Material - Resin	High Temperature Thermoplastic
Number of Rows	2
Orientation	Right Angle
PC Tail Length (in)	0.177 In
PC Tail Length (mm)	4.50 mm
PCB Locator	Yes
PCB Retention	Yes
PCB Thickness Recommended (in)	0.125 In
PCB Thickness Recommended (mm)	3.18 mm
Packaging Type	Tray
Pitch - Mating Interface (in)	0.050 In
Pitch - Mating Interface (in)	0.472 In
Pitch - Mating Interface (mm)	1.27 mm
Pitch - Mating Interface (mm)	12.00 mm
Plating min: Mating (µin)	30
Plating min: Mating (µm)	0.75
Plating min: Termination (µin)	150
Plating min: Termination (µin)	75
Plating min: Termination (µm)	1.875
Plating min: Termination (µm)	3.75
Polarized to Mating Part	Yes
Polarized to PCB	Yes
Stackable	No
Surface Mount Compatible (SMC)	Yes



Series image - Reference only

EU RoHS

**ELV and RoHS
Compliant**

REACH SVHC

Contains SVHC: No

Halogen-Free

Status

Not Reviewed

China RoHS



**Need more information on product
environmental compliance?**

Email productcompliance@molex.com
Please visit the [Contact Us](#) section for any
non-product compliance questions.

Duration at Max.	20
Process Temperature (seconds)	
Lead-free Process Capability	Wave Capable (TH only)
Max. Cycles at Max.	3
Process Temperature	
Process Temperature max. C	260

Search Parts in this Series

[45984 Series](#)

Mates With

[45985](#) EXTreme LPHPower™ Headers,
1.57mm (.062") Card Edge

Temperature Range - Operating	-40°C to +105°C
Termination Interface: Style	Through Hole
Electrical	
CSA	LR 19980
Current - Maximum	20A
Grounding to PCB	No
TUV	30683046
UL	E29179
Voltage - Maximum	250V AC (RMS)/DC

Material Info

Reference - Drawing Numbers

Product Specification	PS-45984-001
Sales Drawing	SD-45984-100

This document was generated on 11/04/2009

PLEASE CHECK WWW.MOLEX.COM FOR LATEST PART INFORMATION