

PLEASE CHECK WWW.MOLEX.COM FOR LATEST PART INFORMATION

Part Number: [0039291047](#)

Status: **Active**

Overview:

Description: 4.20mm (.165") Pitch Mini-Fit Jr.™ Header, Dual Row, Right Angle, with PCB Mounting Flange, 4 Circuits, PA Polyamide Nylon 6/6 94V-0, Tin (Sn) Plating

Documents:

[3D Model](#)

[Drawing \(PDF\)](#)

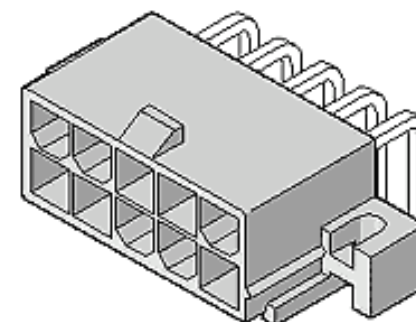
[RoHS Certificate of Compliance \(PDF\)](#)

General

Product Family	PCB Headers
Series	5569
Application	Wire-to-Board
Comments	11A max. with Mini-Fit HCS™ Terminals
Overview	Mini-Fit Jr.™
Product Name	Mini-Fit Jr.™

Physical

Breakaway	No
Circuits (Loaded)	4
Circuits (maximum)	4
Circuits Detail	4
Color - Resin	Natural
Durability (mating cycles max)	30
First Mate / Last Break	No
Flammability	94V-0
Flammability	94V-2
Glow-Wire Compliant	No
Guide to Mating Part	No
Keying to Mating Part	None
Lock to Mating Part	Yes
Material - Metal	Brass
Material - Plating Mating	Tin
Material - Plating Termination	Tin
Material - Resin	Nylon
Number of Rows	2
Orientation	Right Angle
PCB Locator	Yes
PCB Retention	Yes
PCB Thickness Recommended (in)	0.070 In
PCB Thickness Recommended (mm)	1.78 mm
Packaging Type	Bag
Pitch - Mating Interface (in)	0.165 In
Pitch - Mating Interface (mm)	4.20 mm
Pitch - Term. Interface (in)	0.165 In
Pitch - Term. Interface (mm)	4.20 mm
Plating min: Mating (µin)	276
Plating min: Mating (µm)	7.00
Plating min: Termination (µin)	200
Plating min: Termination (µm)	5.00
Polarized to Mating Part	Yes
Polarized to PCB	Yes
Shrouded	Fully
Stackable	No
Surface Mount Compatible (SMC)	No
Temperature Range - Operating	-40°C to +105°C



Series image - Reference only

EU RoHS

**ELV and RoHS
Compliant**

REACH SVHC

Contains SVHC: No

Halogen-Free

Status

Not Reviewed

China RoHS



**Need more information on product
environmental compliance?**

Email productcompliance@molex.com
Please visit the [Contact Us](#) section for any
non-product compliance questions.

Search Parts in this Series

[5569 Series](#)

Mates With

[5557 Mini-Fit Jr.™ Receptacle Housing](#)

Termination Interface: Style

Through Hole

Electrical

CSA
Current - Maximum
TUV
UL
Voltage - Maximum

LR19980
8A
R72081037
E29179
600V

Solder Process Data

Lead-free Process Capability

Wave Capable (TH only)

Material Info

Old Part Number

5569-04A1-210

Reference - Drawing Numbers

Product Specification
Product Specification
Product Specification
Product Specification
Product Specification
Product Specification
Product Specification
Sales Drawing

RPS-5557-009
RPS-5557-024
RPS-5557-031
RPS-5557-036
RPS-5557-039
RPS-5557-050
RPS-5557-053
SD-5569-002

This document was generated on 11/25/2009

PLEASE CHECK WWW.MOLEX.COM FOR LATEST PART INFORMATION