

PLEASE CHECK WWW.MOLEX.COM FOR LATEST PART INFORMATION

Part Number: [0015977082](#)

Status: **Active**

Overview:

Description: 4.20mm (.165") Pitch Mini-Fit TPA™ Header, Dual Row, Vertical, with PCB Mounting Flange, 8 Circuits, Tin (Sn) Plating, without Drain Holes

Documents:

[3D Model](#)

[Product Specification PS-5556-003 \(PDF\)](#)

[Drawing \(PDF\)](#)

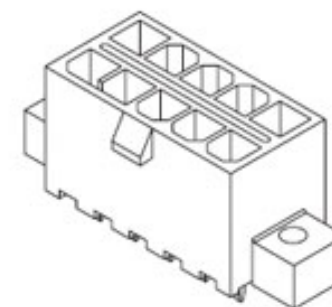
[RoHS Certificate of Compliance \(PDF\)](#)

General

Product Family	PCB Headers
Series	30069
Application	Wire-to-Board
Comments	Square Pin Solder Type High Vibration Application
Overview	Mini-Fit TPA™#153;
Product Name	Mini-Fit TPA™

Physical

Breakaway	No
Circuits (Loaded)	8
Circuits (maximum)	8
Color - Resin	Black
Durability (mating cycles max)	30
First Mate / Last Break	No
Flammability	94V-0
Glow-Wire Compliant	No
Guide to Mating Part	No
Keying to Mating Part	None
Lock to Mating Part	Yes
Material - Metal	Brass
Material - Plating Mating	Tin
Material - Plating Termination	Tin
Material - Resin	Polyester
Number of Rows	2
Orientation	Vertical
PCB Locator	Yes
PCB Retention	Yes
PCB Thickness Recommended (in)	0.070 In
PCB Thickness Recommended (mm)	1.80 mm
Packaging Type	Tray
Pitch - Mating Interface (in)	0.165 In
Pitch - Mating Interface (mm)	4.20 mm
Pitch - Term. Interface (in)	0.165 In
Pitch - Term. Interface (mm)	4.20 mm
Plating min: Mating (µin)	35
Plating min: Mating (µm)	0.90
Plating min: Termination (µin)	35
Plating min: Termination (µm)	0.90
Polarized to Mating Part	Yes
Polarized to PCB	Yes
Shrouded	Partial
Stackable	No
Surface Mount Compatible (SMC)	No
Temperature Range - Operating	-40°C to +105°C
Termination Interface: Style	Through Hole



Series image - Reference only

EU RoHS

**ELV and RoHS
Compliant**

REACH SVHC

Contains SVHC: No

Halogen-Free

Status

Not Halogen-Free

China RoHS



**Need more information on product
environmental compliance?**

Email productcompliance@molex.com
Please visit the [Contact Us](#) section for any
non-product compliance questions.

Search Parts in this Series

[30069](#) Series

Mates With

[30067](#) Mini-Fit TPA™ Receptacle Housing

Use With

Mini-Fit TPA™ Receptacle Housing [30071](#) ,
[30072](#)

Electrical

CSA	LR19980
Current - Maximum	7A
TUV	R72081037
UL	E29179
Voltage - Maximum	600V

Solder Process Data

Duration at Max. Process Temperature (seconds)	5
Lead-free Process Capability	Wave Capable (TH only)
Max. Cycles at Max. Process Temperature	1
Process Temperature max. C	260

Material Info

Old Part Number	30069-08A1
-----------------	------------

Reference - Drawing Numbers

Product Specification	PS-5556-003
Sales Drawing	SDA-30069-****

This document was generated on 11/05/2009

PLEASE CHECK WWW.MOLEX.COM FOR LATEST PART INFORMATION