

PLEASE CHECK WWW.MOLEX.COM FOR LATEST PART INFORMATION

Part Number: [0015060040](#)

Status: **Active**

Overview:

Description: 4.20mm (.165") Pitch Mini-Fit BMI™ Receptacle Housing, Dual Row with Panel Mount Ears, PA Polyamide Nylon 6/6, UL 94V-2, 4 Circuits

Documents:

[3D Model](#)

[Packaging Specification \(PDF\)](#)

[Drawing \(PDF\)](#)

[Product Specification PS-5556-002 \(PDF\)](#)

[RoHS Certificate of Compliance \(PDF\)](#)

General

Product Family

Crimp Housings

Series

42474

Comments

Current = 12A max. per circuit when this receptacle is loaded with 45750 series terminals crimped to 16 AWG wire and mated to a header. See Molex product specification PS-45750-001 for additional current derating information.

Overview

Mini-Fit BMI™

Product Name

Mini-Fit BMI™

Physical

Breakaway

No

Circuits (maximum)

4

Color - Resin

Natural

Flammability

94V-2

Gender

Female

Glow-Wire Compliant

No

Lock to Mating Part

None

Material - Resin

Nylon

Number of Rows

2

Packaging Type

Bag

Panel Mount

Yes

Pitch - Mating Interface (in)

0.165 In

Pitch - Mating Interface (mm)

4.20 mm

Polarized to Mating Part

Yes

Stackable

No

Temperature Range - Operating

-40°C to +105°C

Electrical

CSA

LR19980

Current - Maximum

12A

Current - Maximum

8A

TUV

R72081037

UL

E29179

Material Info

Old Part Number

42474-0411

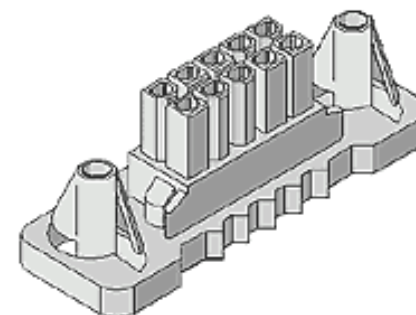
Reference - Drawing Numbers

Product Specification

PS-5556-002

Sales Drawing

SD-42474-****



Series image - Reference only

EU RoHS

ELV and RoHS

Compliant

REACH SVHC

Contains SVHC: No

Halogen-Free

Status

Not Reviewed

China RoHS



Need more information on product environmental compliance?

Email productcompliance@molex.com

Please visit the [Contact Us](#) section for any non-product compliance questions.

Search Parts in this Series

[42474 Series](#)

Mates With

[42475](#) Mini-Fit BMI™ Plug Housing. [43879](#)

MiniFit CPI™ Header. Mini-Fit BMI™

Header [42404](#) , [42440](#). Mini-Fit SMC™

Surface Mount Compatible Header [43810](#) ,

[44068](#)

Use With

[5556](#) Mini-Fit™ Crimp Terminal