

[Molex.com](#)

English  
日本語  
한국어  
简体中文

[Register | Login](#)  
[My Parts \( 0 items \)](#)

Search site: Search:  [Go](#)

- Product Name**
- Cross-Ref**
- Catalog**
- Literature**
- Industries**
- Standards**
- Contact Us**
- About Us**
- Investors**
- Careers**

[Connectors](#)  
 [Sockets](#)  
 [I/O Connectors](#)  
 [Cable Assemblies](#)  
 [Fiber Optics](#)  
 [Printed Circuit Products](#)  
 [Industrial Products](#)  
 [Lighting Products](#)

**Switch Language**

English

[Home](#)  
[FFC/FPC Connectors](#)  
[Datasheet](#)

**Need Assistance?**

- [Contact Us](#)
- [Find a Distributor](#)
- [Order Samples](#)
- [Tech Library](#)
- [Ecocare](#)
- [Electrical Models](#)

[Printer-friendly page](#)

[Email this page](#)

**Part Number:**

**0541324097**

**Status:**

**Active**

**Description:**

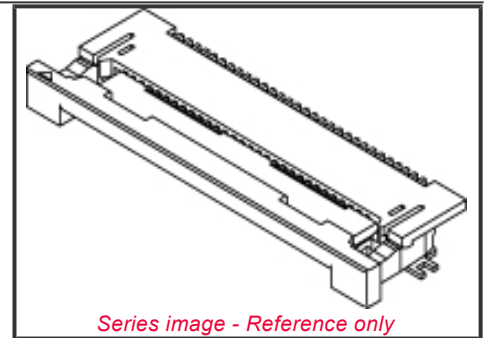
0.50mm (.020") Pitch FFC/FPC Connector, Right Angle, SMT, ZIF, Bottom Contact Style, 40 Circuits, Lead-free

**Documents:** *Note - Please disable browser pop-up blockers for documents on www.molex.com*

[Drawing \(PDF\)](#)

[Product Specification PS-54132-058 \(PDF\)](#)

[3D Model](#)



**EU RoHS**  
ELV and RoHS  
Compliant

**REACH SVHC**  
Not Reviewed

**Halogen-Free Status**  
Not Halogen-Free

**China RoHS**



**Need more information on product environmental compliance?**

Email [productcompliance@molex.com](mailto:productcompliance@molex.com)

For a multiple part number RoHS Certificate of Compliance, [click here](#)

Please visit the [Contact Us](#) section for any non-product compliance questions.

**Search Parts in this Series**

[54132Series](#)

**Order Products:**

**Part Detail:** [\(show all\)](#)

[General](#)[Physical](#)[Electrical](#)[Agency Certification](#)[Material Info](#)[Reference - Drawing Numbers](#)

**General**

Product Family	FFC/FPC Connectors
Series	<a href="#">54132</a>
Product Name	N/A

**Physical**

Circuits (Loaded)	40
Color - Resin	Black, Natural
Contact Position	Bottom
Durability (mating cycles max)	20
Entry Angle	90° Angle
Flammability	94V-0
Mated Height (in)	0.079 In
Mated Height (mm)	2.00 mm
Material - Metal	Phosphor Bronze
Material - Plating Mating	Tin-Bismuth
Material - Plating Termination	Tin-Bismuth
Material - Resin	High Temperature Thermoplastic
Number of Rows	1
Orientation	Right Angle
PCB Locator	No
PCB Retention	None
Packaging Type	Embossed Tape on Reel
Pitch - Mating Interface (in)	0.020 In
Pitch - Mating Interface (mm)	0.50 mm
Plating min: Mating (µin)	40
Plating min: Mating (µm)	1
Plating min: Termination (µin)	40
Plating min: Termination (µm)	1
Polarized to PCB	Yes
Stackable	No
Surface Mount Compatible (SMC)	N/A
Temperature Range - Operating	-20°C to +85°C
Termination Interface: Style	Surface Mount
Wire/Cable Type	FFC/FPC

**Electrical**(Please review the Product Specification for specific details.)

Current - Maximum per Contact	0.5A
Voltage - Maximum	50V

**Agency Certification**

UL	E29179
----	--------

**Material Info**

**Reference - Drawing Numbers**

Product Specification PS-54132-058, RPS-54132-064, RPS-54132-067, RPS-54132-069, RPS-54132-074, RPS-54132-077, RPS-54132-079

Sales Drawing SD-54132-060, SD-54132-061

- [Feedback](#)
- [Privacy](#)
- [Legal](#)
- [Site Map](#)
- [Help](#)

• Find us on

Copyright 2005-2010

