

[Molex.com](#)

English  
日本語  
한국어  
简体中文

[Register | Login](#)  
[My Parts \( 0 items \)](#)

Search site:Search:  [Go](#)

- Product Name**
- Cross-Ref**
- Catalog**
- Literature**
- Industries**
- Standards**
- Contact Us**
- About Us**
- Investors**
- Careers**

- [Connectors](#)
- [Sockets](#)
- [I/O Connectors](#)
- [Cable Assemblies](#)
- [Fiber Optics](#)
- [Printed Circuit Products](#)
- [Industrial Products](#)
- [Lighting Products](#)

**Switch Language**

- [Home](#)
- [PCB Headers](#)
- [Datasheet](#)

**Need Assistance?**

- [Contact Us](#)
- [Find a Distributor](#)
- [Order Samples](#)
- [Tech Library](#)
- [Ecocare](#)
- [Electrical Models](#)

[Printer-friendly page](#)

[Email this page](#)

**Part Number:**

**0015977104**

**Status:**

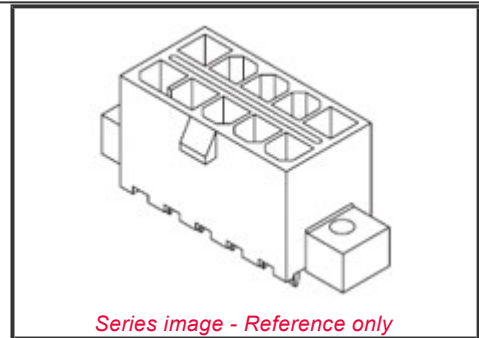
**Active**

**Overview:**

**Mini-Fit TPA™**

**Description:**

4.20mm (.165") Pitch Mini-Fit TPA™ Header, Dual Row, Vertical, with PCB Mounting Flange, 10 Circuits, Gold (Au) Plating, without Drain Holes



**Documents:** *Note - Please disable browser pop-up blockers for documents on www.molex.com*

[Drawing \(PDF\)](#)

[Product Specification PS-5556-003 \(PDF\)](#)

[3D Model](#)

**EU RoHS**  
**ELV and RoHS**  
**Compliant**

**China RoHS**



**REACH SVHC**  
Not Reviewed

**Halogen-Free**  
**Status**  
**Not Halogen-Free**

**Need more information on product environmental compliance?**

Email [productcompliance@molex.com](mailto:productcompliance@molex.com)

For a multiple part number RoHS Certificate of Compliance, [click here](#)

Please visit the [Contact Us](#) section for any non-product compliance questions.

**Search Parts in this Series**

[30069](#)Series

**Mates With**

[30067](#) Mini-Fit TPA™ Receptacle Housing

**Use With**

Mini-Fit TPA™ Receptacle Housing  
[30071](#), [30072](#)

**Order Products:**

**Part Detail:** [\(show all\)](#)

[General](#)[Physical](#)[Electrical](#)[Agency Certification](#)[Solder Process](#) [Data](#)[Material Info](#)[Reference - Drawing Numbers](#)

**General**

Product Family	PCB Headers
Series	<u>30069</u>
Application	Wire-to-Board
Comments	Current = 13A max. per circuit when header is mated to a receptacle loaded with <u>45750</u> Mini-Fit Plus HCS™ Crimp Terminal Crimped to to 16 AWG wire. See Molex product specification PS-45750-001 for additional current de-rating information. Square Pin, Solder Type, High Vibration Application
Overview	<u>Mini-Fit TPA™</u>
Product Name	Mini-Fit TPA™

**Physical**

Breakaway	No
Circuits (Loaded)	10
Circuits (maximum)	10
Color - Resin	Black
Durability (mating cycles max)	30
First Mate / Last Break	No
Flammability	94V-0
Glow-Wire Compliant	No
Guide to Mating Part	No
Keying to Mating Part	None
Lock to Mating Part	Yes
Material - Metal	Brass
Material - Plating Mating	Gold
Material - Plating Termination	Tin
Material - Resin	Polyester
Number of Rows	2
Orientation	Vertical
PCB Locator	Yes
PCB Retention	Yes
PCB Thickness Recommended (in)	0.070 In
PCB Thickness Recommended (mm)	1.80 mm
Packaging Type	Tray
Pitch - Mating Interface (in)	0.165 In
Pitch - Mating Interface (mm)	4.20 mm
Pitch - Term. Interface (in)	0.165 In
Pitch - Term. Interface (mm)	4.20 mm
Plating min: Mating (µin)	30
Plating min: Mating (µm)	0.76
Plating min: Termination (µin)	100

Plating min: Termination ( $\mu\text{m}$ )	2.50
Polarized to Mating Part	Yes
Polarized to PCB	Yes
Shrouded	Partial
Stackable	No
Surface Mount Compatible (SMC)	No
Temperature Range - Operating	-40°C to +105°C
Termination Interface: Style	Through Hole

**Electrical**(Please review the Product Specification for specific details.)

Current - Maximum per Contact	13A
Voltage - Maximum	600V

**Agency Certification**

CSA	LR19980
TUV	R72081037
UL	E29179

**Solder Process Data**

Duration at Max. Process Temperature (seconds)	5
Lead-free Process Capability	Wave Capable (TH only)
Max. Cycles at Max. Process Temperature	1
Process Temperature max. C	260

**Material Info**

Old Part Number	30069-10A2
-----------------	------------

**Reference - Drawing Numbers**

Product Specification	PS-5556-003
Sales Drawing	SDA-30069-****

