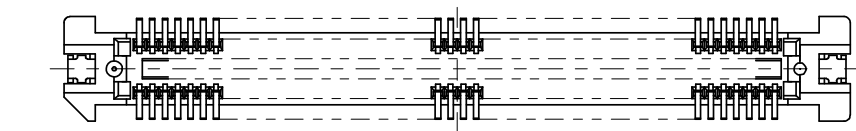
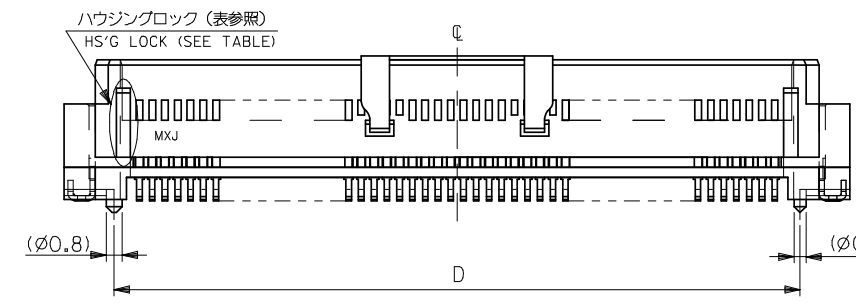


推奨基板寸法
RECOMMENDED PCB PATTERN LAYOUT
(SCALE 2:1)



注) NOTES

- 材質
MATERIAL
ハウジング: ガラス入りPPS、茶色、UL94V-0
HOUSING: G.F.PPS, BROWN, UL94V-0
ターミナル: 銅合金 (t=0.2)
TERMINAL: COPPER ALLOY
吸着カバー: ステンレス (t=0.2)
VACUUM COVER: STAINLESS STEEL
- メッキ仕様
PLATING
接点部: 金メッキ 0.25µmMIN.
CONTACT AREA: GOLD 0.25 MICROMETER MIN.
半田付け部: 錫メッキ 1.0µmMIN.
SOLDER TAIL AREA: TIN 1.0 MICROMETER MIN.
下地メッキ: ニッケルメッキ 1.5µmMIN.
UNDER-PLATING: NICKEL 1.5 MICROMETER MIN.
- テールのバラッキ寸法
TAIL COPLANARITY
テール平坦度は、0.1 MAX.とする。
TAILS COPLANARITY TO BE 0.1MAX.
- 本製品は 53647-***2 の鉛フリー品である。
THIS PRODUCT IS LEAD FREE OF 53647-***2.

材料 MATERIAL	注) 参照 SEE NOTES
仕上げ FINISH	注) 参照 SEE NOTES
適用電線範囲 WIRE RANGE	— # —
被覆外径 INS. RANGE	— # —

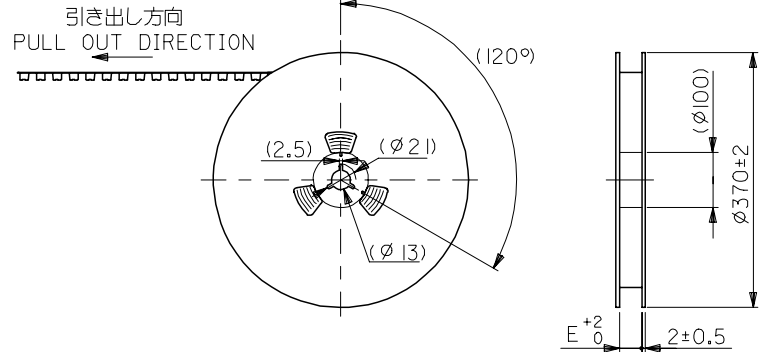
REVISED	EC NO: J2008-4144
DRY/NINAKAMURA	2008/06/23
CHKD: T. HARUYAMA	2008/06/23
APPR: NUKITA	2008/08/19

GENERAL TOLERANCES (UNLESS SPECIFIED)	
10 UNDER	±0.2
10 OVER 30 UNDER	±0.25
30 OVER	±0.3
ANGULAR ±3 °	
DRAFT WHERE APPLICABLE MUST REMAIN WITHIN DIMENSIONS	

DIMENSION STYLE	
MM ONLY	
DRAWN BY	DATE
Y. WADA	'04/02/27
CHECKED BY	DATE
M. SASAO	'04/02/27
APPROVED BY	DATE
M. SASAO	'04/02/27
MATERIAL NO.	
SEE CHART	
SIZE A3	

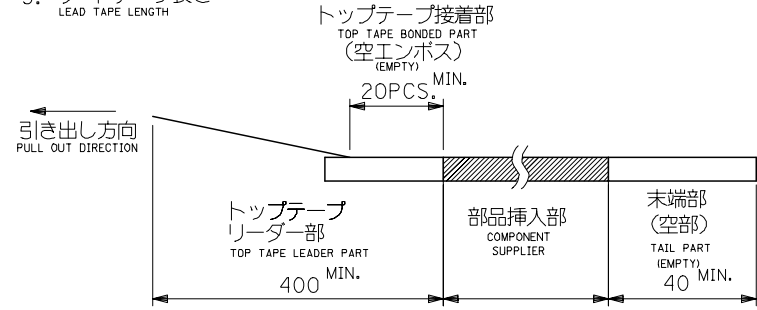
SCALE	DESIGN UNITS	THIRD ANGLE PROJECTION
---	METRIC	◎ □
TITLE		
0.635 PITCH B-T0-B PLUG HS'G COVER ASS'Y -LEAD FREE-		
MOLEX MOLEX INCORPORATED		
DOCUMENT NO.		SHEET NO.
SD-53647-002		1 OF 1

無し NO	52.67	53.77	50.165	57.67	53647-1674	53647-1675	53647-1609	160	○
	46.32	47.42	43.815	51.32	53647-1474	53647-1475	53647-1409	140	○
	39.97	41.07	37.465	44.97	53647-1274	53647-1275	53647-1209	120	○
	33.62	34.72	31.115	38.62	53647-1074	53647-1075	53647-1009	100	○
有り YES	27.27	28.37	24.765	32.27	53647-0874	53647-0875	53647-0809	80	○
	14.57	15.67	12.065	19.57	53647-0474	53647-0475	53647-0409	40	○
	11.4	12.5	8.89	16.4	53647-0374	53647-0375	53647-0309	30	○
	8.22	9.32	5.715	13.22	53647-0274	53647-0275	53647-0209	20	○
ハウジングロック HS'G LOCK	D	C	B	A	エンボス梱包 EMBOSSED PACKAGING	スティック梱包 STICK PACKAGING	製品番号 MATERIAL NO.	極数 CKT. NO.	量産対応 AVAILABLE

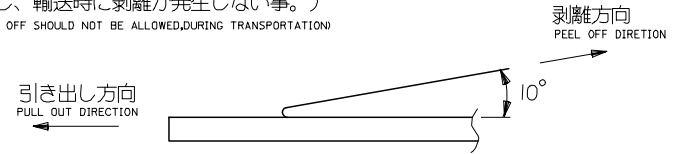


注)
NOTES

- 製品番号 53647-***9 の詳細寸法については、SD-53647-002 を参照下さい。
IN THE PACKAGE, PART NO. 53647-***9 DETAILED DIMENSIONS, SEE SD-53647-002
- 梱包数量 : 840個/リール
NUMBER OF CONNECTORS : 840 PCS/REEL
- リードテープ長さ
LEAD TAPE LENGTH



- トップテープの剥離強度 (剥離方向は下図参照)
PEELING OFF FORCE OF TOP TAPE (PEELING DIRECTION AS SHOWN IN FOLLOWING FIG.)
0.1~1.3N {10~130gf}
尚、本規格値は、出荷時に適用。
THIS REQUIREMENT SHOULD BE APPLIED AT SHIPMENT
(但し、輸送時に剥離が発生しない事。)
(PEEL OFF SHOULD NOT BE ALLOWED, DURING TRANSPORTATION)

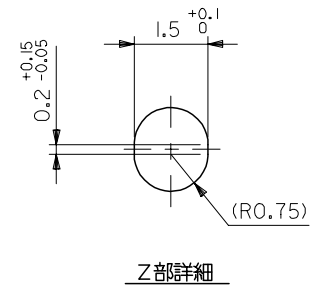
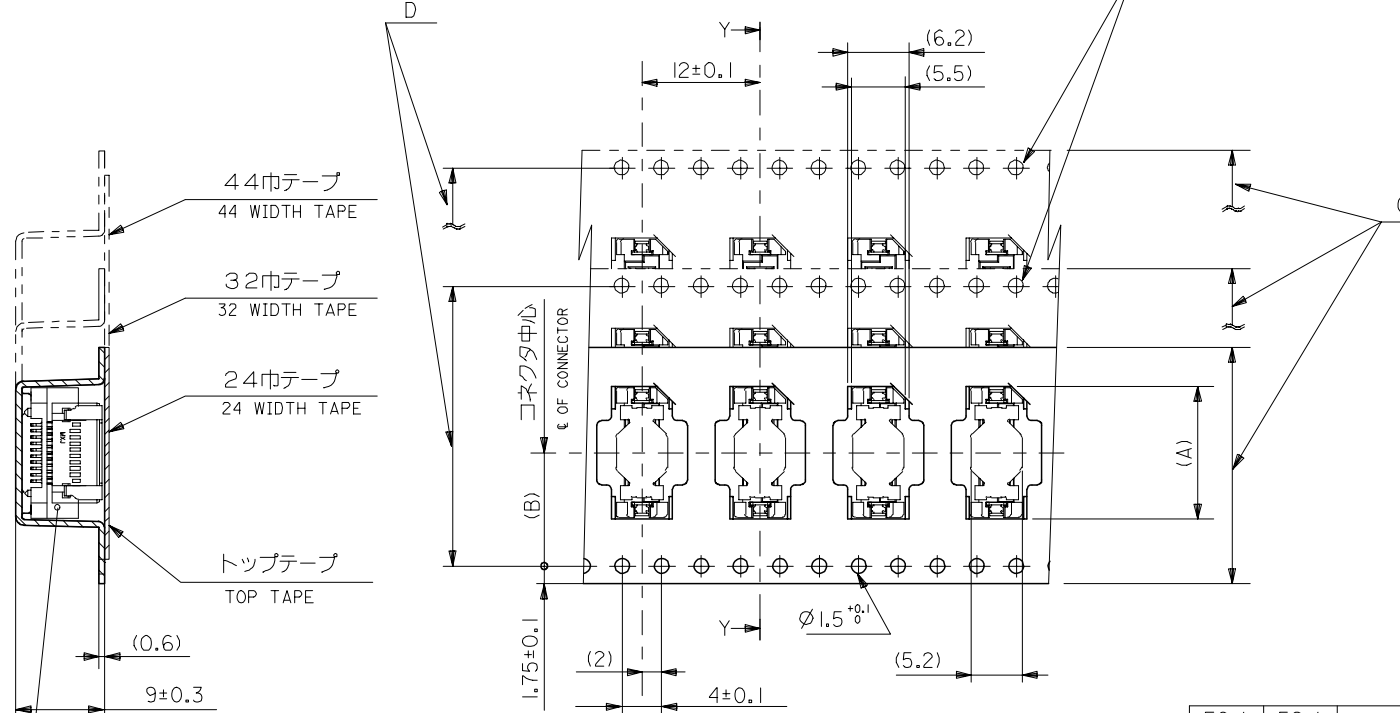


- 材料
MATERIAL
キャリアテープ : ポリプロピレン (PP)
CARRIER TAPE : POLYPROPYLENE (PP)
トップテープ : PET, PE, PEF
TOP TAPE : PET, PE, PEF
リール : 紙
REEL : CARD BOARD
- 本製品は53647-***4の鉛フリー品である。
THIS PRODUCT IS LEAD FREE OF 53647-***4.

MODEL NO. 53647-***9

REVISED EC NO: J2006-1852 DRWN: NABEI 2005/12/02 CHKD: TOYODA 2005/12/05 APPR: NUKITA 2005/12/14	GENERAL TOLERANCES (UNLESS SPECIFIED)		DIMENSION STYLE MM ONLY		SCALE ---	DESIGN UNITS METRIC	THIRD ANGLE PROJECTION	
	10 UNDER	± ---	DRAWN BY Y. WADA	DATE '04/03/01	TITLE 53647-***9 TAPING PACKAGE -LEAD FREE- MOLEX INCORPORATED			
	10 OVER 30 UNDER	± ---	CHECKED BY M. SASAO	DATE '04/03/01				
	30 OVER	± ---	APPROVED BY M. SASAO	DATE '04/03/01				
ANGULAR	± --- °	MATERIAL NO. SEE CHART		DOCUMENT NO. SD-53647-003		SHEET NO. 1 OF 3		
DRAFT WHERE APPLICABLE MUST REMAIN WITHIN DIMENSIONS		SIZE A3 THIS DRAWING CONTAINS INFORMATION THAT IS PROPRIETARY TO MOLEX INCORPORATED AND SHOULD NOT BE USED WITHOUT WRITTEN PERMISSION						

引き出し方向
PULL OUT DIRECTION



累積ピッチ : 40±0.2
ACCUMULATIVE
PITCH : 40±0.2

断面 Y-Y
SECTION Y-Y

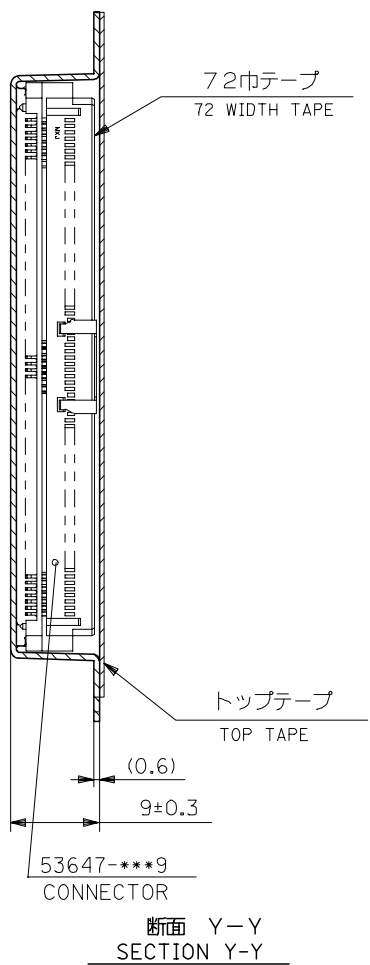
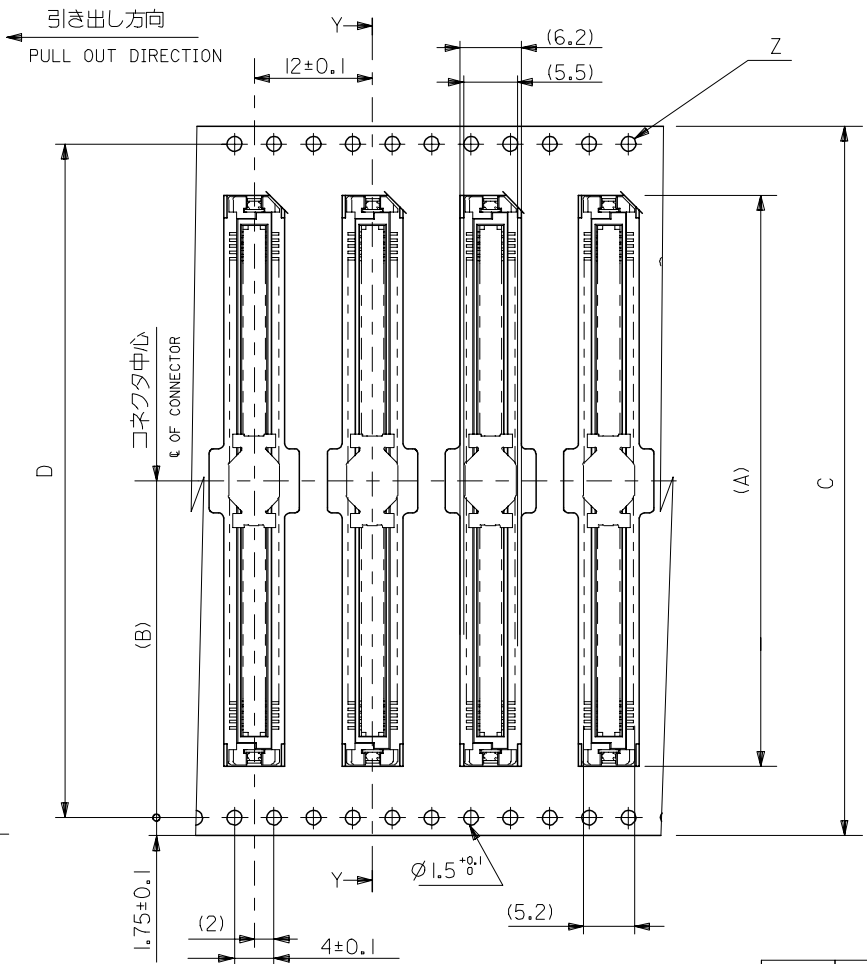
56.4	52.4	56 ^{+0.3}	26.2	38.9	53647-1074	100
44.4	40.4	44 ^{+0.3}	20.2	32.6	↑ -0874	80
44.4	40.4	44 ^{+0.3}	20.2	26.2	-0674	60
32.4	28.4	32 ^{+0.3}	14.2	19.9	↓ -0474	40
24.4	—	24 ^{+0.3}	11.5	16.7	-0374	30
E	D	C	キャリアテープ幅 CARRIER TAPE WIDTH	(B)	(A)	MATERIAL NO. 極致 NO. OF CKTS.
				MODEL NO. 53647-***9		

REVISED EC NO: J2006-1852 DRWN: NABEI 2005/12/02 CHKD: KTOYODA 2005/12/05 APPR: NUKITA 2005/12/14 DESCRIPTION REV	GENERAL TOLERANCES (UNLESS SPECIFIED)		DIMENSION STYLE MM ONLY		SCALE ---	DESIGN UNITS METRIC	THIRD ANGLE PROJECTION
	10 UNDER	± ---	DRAWN BY Y. WADA	DATE '04/03/01	TITLE 53647-***9 TAPING PACKAGE -LEAD FREE-		
	10 OVER 30 UNDER	± ---	CHECKED BY M. SASAO	DATE '04/03/01	MOLEX INCORPORATED		
	30 OVER	± ---	APPROVED BY M. SASAO	DATE '04/03/01	DOCUMENT NO. SD-53647-003		
	ANGULAR	± --- °	MATERIAL NO.		SHEET NO. 2 OF 3		
DRAFT WHERE APPLICABLE MUST REMAIN WITHIN DIMENSIONS		SIZE A3		THIS DRAWING CONTAINS INFORMATION THAT IS PROPRIETARY TO MOLEX INCORPORATED AND SHOULD NOT BE USED WITHOUT WRITTEN PERMISSION			

10 9 8 7 6 5 4 3 2 1

F
E
D
C
B
A

F
E
D
C
B
A



累積ピッチ : 40±0.2
ACCUMULATIVE PITCH : 40±0.2

72.4	68.4	72 ±0.3	34.2	51.6	53647-1474	140
E	D	C	(B)	(A)	MATERIAL NO.	極致 NO. OF CKTS.

REVISED EC NO: J2006-1852 DRWN: NABEI CHKD: TOYODA APPR: NUKITA	GENERAL TOLERANCES (UNLESS SPECIFIED)	DIMENSION STYLE MM ONLY	SCALE ---	DESIGN UNITS METRIC	MODEL NO. 53647-***9	THIRD ANGLE PROJECTION
	10 UNDER ± ---	DRAWN BY Y. WADA	DATE '04/03/01	TITLE 53647-***9 TAPING PACKAGE -LEAD FREE-		
	10 OVER 30 UNDER ± ---	CHECKED BY M. SASAO	DATE '04/03/01	MOLEX INCORPORATED		
	30 OVER ± ---	APPROVED BY M. SASAO	DATE '04/03/01	MATERIAL NO.	DOCUMENT NO. SD-53647-003	SHEET NO. 3 OF 3
ANGULAR ± --- °	DRAFT WHERE APPLICABLE MUST REMAIN WITHIN DIMENSIONS		SEE CHART			