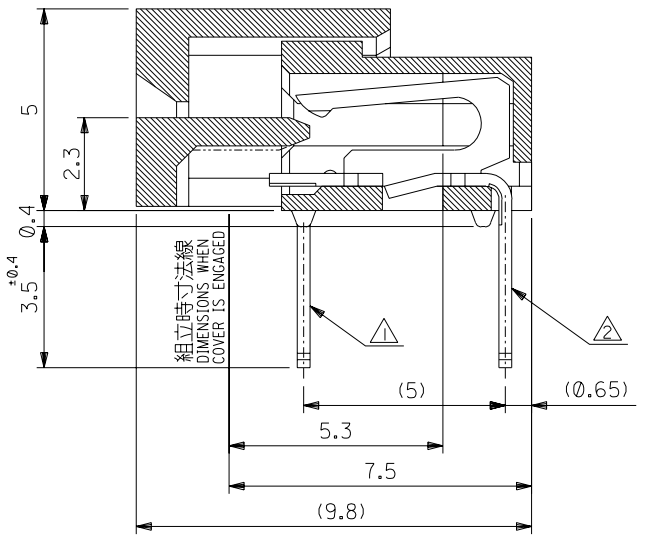
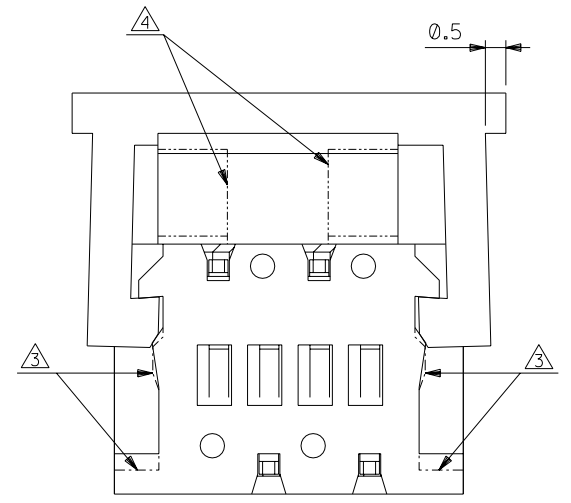
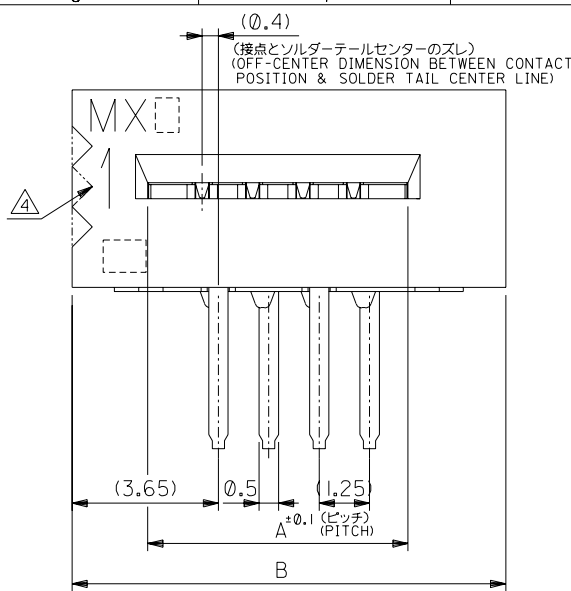


DO NOT SCALE DRAWING

DWG. NO. SD-5597-004



注記 NOTES

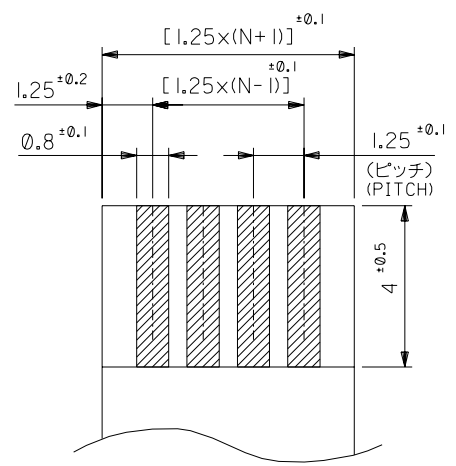
- ① MX J側を基準に奇数番目の極におけるソルダーテール。
SOLDER TAIL OF ODD CKTS, MXJ MARK AS BASIC.
- ② MX J側を基準に偶数番目の極におけるソルダーテール。
SOLDER TAIL OF EVEN CKTS, MXJ MARK AS BASIC.
- ③ 3極~10極に適用。APPLY FOR 3-10 CKTS.
- ④ 3極~19極に適用。APPLY FOR 3-19 CKTS.
- 5. () 内寸法は、参考値。
() DIMENSION IS FOR REFERENCE.
- 6. ソルダーテールは、先端が取付推奨穴にガイドされること。
ガイドされること。
SOLDER TAILS MAY BE CHECKED BY INSERTION FOR RECOMMENDED PCB BOARD HOLES.

| | | | | |
|-------|-------|--------------|------------|------------|
| 48.25 | 43.95 | 39-51-3343 | 5597-34APB | 34 |
| 47.00 | 42.70 | -3333 | -33APB | 33 |
| 45.75 | 41.45 | -3323 | -32APB | 32 |
| 44.50 | 40.20 | -3313 | -31APB | 31 |
| 43.25 | 38.95 | -3303 | -30APB | 30 |
| 42.00 | 37.70 | -3293 | -29APB | 29 |
| 40.75 | 36.45 | -3283 | -28APB | 28 |
| 39.50 | 35.20 | -3273 | -27APB | 27 |
| 38.25 | 33.95 | -3263 | -26APB | 26 |
| 37.00 | 32.70 | -3253 | -25APB | 25 |
| 35.75 | 31.45 | -3243 | -24APB | 24 |
| 34.50 | 30.20 | -3233 | -23APB | 23 |
| 33.25 | 28.95 | -3223 | -22APB | 22 |
| 32.00 | 27.70 | -3213 | -21APB | 21 |
| 30.75 | 26.45 | -3203 | -20APB | 20 |
| 29.50 | 25.20 | -3193 | -19APB | 19 |
| 28.25 | 23.95 | -3183 | -18APB | 18 |
| 27.00 | 22.70 | -3173 | -17APB | 17 |
| 25.75 | 21.45 | -3163 | -16APB | 16 |
| 24.50 | 20.20 | -3153 | -15APB | 15 |
| 23.25 | 18.95 | -3143 | -14APB | 14 |
| 22.00 | 17.70 | -3133 | -13APB | 13 |
| 20.75 | 16.45 | -3123 | -12APB | 12 |
| 19.50 | 15.20 | -3113 | -11APB | 11 |
| 18.25 | 13.95 | -3103 | -10APB | 10 |
| 17.00 | 12.70 | -3093 | -09APB | 9 |
| 15.75 | 11.45 | -3083 | -08APB | 8 |
| 14.50 | 10.20 | -3073 | -07APB | 7 |
| 13.25 | 8.95 | -3063 | -06APB | 6 |
| 12.00 | 7.70 | -3053 | -05APB | 5 |
| 10.75 | 6.45 | -3043 | -04APB | 4 |
| 9.50 | 5.20 | 39-51-3033 | 5597-03APB | 3 |
| B | A | MATERIAL NO. | ENG. NO. | 極数 CKT. |

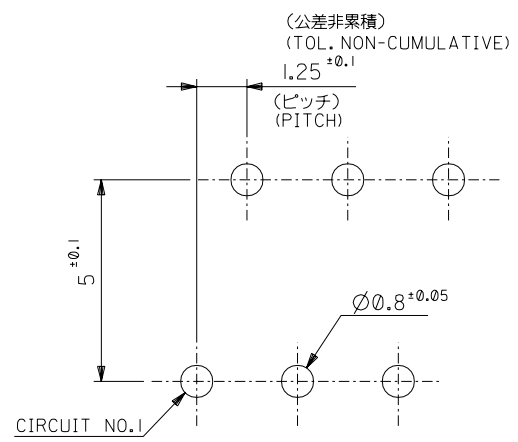
| | | | | | | | | | | | |
|--|---|--|--|---|---|----------------------------------|--------------------------|---------------------------------|-----------------------------|----------------------------|---------------------|
| ②64 NO. DRWN: CH'K: APPR: ②63 NO. DRWN: CH'K: APPR: ②62 NO. DRWN: CH'K: APPR: ②61 NO. DRWN: CH'K: APPR: | 再作図及び変更 REDRAWN & REVISED ②60 NO. J2003-2624 DRWN: K. TOJO '03/04/17 CH'K: H. Sasaki '03/04/17 APPR: H. Sasaki '03/04/17 | MATERIAL HOUSING, ACTUATOR : 材料 PBTP, UL94V-0 TERMINAL : PHOSPHOR-BRONZE THK : 0.3+ | GENERAL TOLERANCES: (UNLESS SPECIFIED) 一般公差 10 UNDER 未満 ±0.2 10 OVER 以上 30 UNDER 未満 ±0.25 30 OVER 以上 ±0.3 | SCALE 1:1 DESIGN UNITS <input checked="" type="checkbox"/> mm <input type="checkbox"/> INCH DRAWN BY & DATE K. TOJO '03/04/15 CHECKED BY & DATE H. Sasaki '03/04/17 APPROVED BY & DATE H. Sasaki '03/04/17 | DIMENSIONS: ②888 <input checked="" type="checkbox"/> mm <input type="checkbox"/> INCH <input checked="" type="checkbox"/> mm ONLY SHT REV ②219 <input type="checkbox"/> INCH <input type="checkbox"/> mm <input checked="" type="checkbox"/> mm ONLY ②219 REVISE ON CAD ONLY | TITLE: 1.25 FPC Conn Assy ZIF | MOLEX MOLEX INCORPORATED | CAD FILENAME SD-5597-004.S01 | MATERIAL NO. 39-51-3***3 | DRAWING NO. SD-5597-004 | SHEET NO. 1 OF 2 |
| | | | | | | | | | | | |

5597-004.S04

8 7 6 5 4 3 2 1



適合FPC/FCC推奨寸法
RECOMMENDED FPC/FFC
厚さ THK : 0.3 ±0.05



基板取付穴推奨寸法 (t=1.6)
RECOMMENDED P.C. BOARD
HOLE DIMENSION

| | | | | | | | | | | | | |
|--|--|--|--|--|---|----------------------|---|-------|---|--|--------------------------------------|--|
| DRAWING NO. DRAWN: CHK: APPR: | DRAWING NO. DRAWN: CHK: APPR: | DRAWING NO. DRAWN: CHK: APPR: | DRAWING NO. DRAWN: CHK: APPR: | DRAWING NO. DRAWN: CHK: APPR: | 再作図及び変更 REDRAWN & REVISED J2003-2624 DRAWN: K. TOJO '03/04/17 CHK: H. Sasaki '03/04/17 APPR: H. Sasaki '03/04/17 | MATERIAL 材料 | GENERAL TOLERANCES: (UNLESS SPECIFIED) 一般公差 | SCALE | DESIGN UNITS | DIMENSIONS: <input type="checkbox"/> mm <input type="checkbox"/> INCH <input checked="" type="checkbox"/> mm ONLY | SHT | REV |
| | | | | | | SEE SHEET I | 10 UNDER 未満 | /// | mm <input checked="" type="checkbox"/> INCH | | | |
| DRAWING NO. DRAWN: CHK: APPR: | DRAWING NO. DRAWN: CHK: APPR: | DRAWING NO. DRAWN: CHK: APPR: | DRAWING NO. DRAWN: CHK: APPR: | DRAWING NO. DRAWN: CHK: APPR: | 再作図及び変更 REDRAWN & REVISED J2003-2624 DRAWN: K. TOJO '03/04/17 CHK: H. Sasaki '03/04/17 APPR: H. Sasaki '03/04/17 | FINISH 仕上げ | 10 OVER 30 UNDER 未満 | /// | /// | TITLE: 1.25 FPC Conn Assy ZIF | DRAWN BY & DATE K. TOJO '03/04/15 | CHECKED BY & DATE H. Sasaki '03/04/17 |
| | | | | | | SEE SHEET I | 30 OVER 以上 | /// | /// | | | |
| DRAWING NO. DRAWN: CHK: APPR: | DRAWING NO. DRAWN: CHK: APPR: | DRAWING NO. DRAWN: CHK: APPR: | DRAWING NO. DRAWN: CHK: APPR: | DRAWING NO. DRAWN: CHK: APPR: | 再作図及び変更 REDRAWN & REVISED J2003-2624 DRAWN: K. TOJO '03/04/17 CHK: H. Sasaki '03/04/17 APPR: H. Sasaki '03/04/17 | WIRE RANGE 適用電線範囲 | ANGLE 角度 | /// | /// | MATERIAL NO. 39-51-3**3 | DRAWING NO. SD-5597-004 | SHEET NO. 2 OF 2 |
| | | | | | | INS. RANGE 被覆外径 | /// | /// | CAD FILENAME SD-5597-004.S02 | | | |

THIS DRAWING CONTAINS INFORMATION THAT IS PROPRIETARY TO MOLEX INCORPORATED AND SHOULD NOT BE USED WITHOUT WRITTEN PERMISSION.