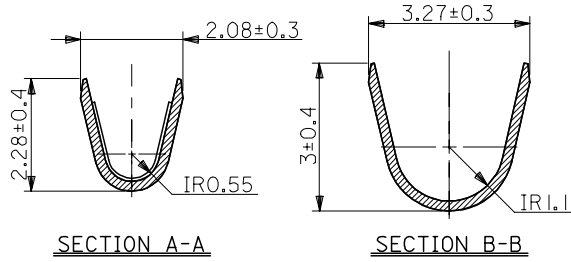
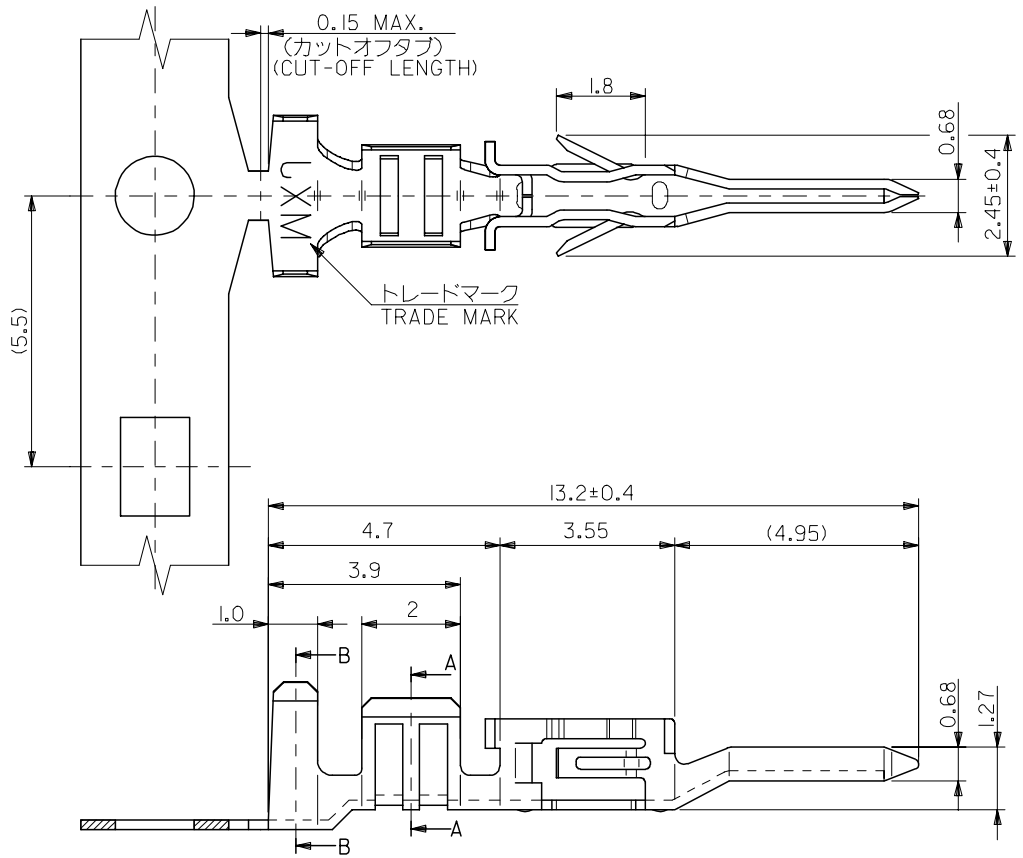


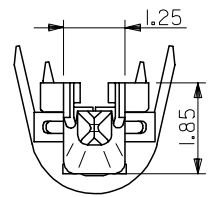
10 9 8 7 6 5 4 3 2 1

F
E
D
C
B
A



注記
NOTES

1. 材質
MATERIAL
りん青銅 (板厚: 0.2)
PHOSPHOR BRONZE (THICKNESS : 0.2)
2. メッキ仕様
TERMINAL PLATING
接点部 : 金メッキ 0.25 μm MIN.
CONTACT AREA : GOLD 0.25 μm MIN.
圧着部 : 錫メッキ 1.0 μm MIN.
CRIMP AREA : TIN 1.0 μm MIN.
下地メッキ : ニッケルメッキ 2 μm MIN.
UNDER PLATE : NICKEL 2 μm MIN.
3. 適用電線 : UL 1007 , AWG #18~22
APPLICABLE WIRE RANGE : UL 1007 , AWG #18~22
4. 被覆外径 : φ2.2 MAX.
INSULATION EXTERNAL DIA : φ2.2 MAX.
5. 適用ハウジング : 51233-**** , 51234-****
APPLICABLE HOUSING : 51233-**** , 51234-****



| | | |
|--------------------------------|--------------|------------|
| バラ状 LOOSE | 56119-8328 | 56119-8*** |
| 連鎖状 CHAIN | 56119-8228 | |
| 端子形状 TERMINAL CONFIGURATION | MATERIAL No. | MODEL No. |

| | | | | | | | | |
|---|--|-------|----------------------------|--------------------|--|------------------------|------------------------|--|
| RELEASED EC NO: J2005-2545 DRWN: YSUGIURA01 2005/03/04 CHKD: MTANAKA 2005/03/07 APPR: NUKITA 2005/03/15 | GENERAL TOLERANCES (UNLESS SPECIFIED) | | DIMENSION STYLE MM ONLY | | SCALE --- | DESIGN UNITS METRIC | THIRD ANGLE PROJECTION | |
| | 10 UNDER | ±0.2 | DRAWN BY YSUGIURA | DATE 2005/03/02 | TITLE COMPACT ROBOT CONN. (CRC) CRIMP PIN -LEAD FREE- | | | |
| | 10 OVER 30 UNDER | ±0.25 | CHECKED BY MTANAKA | DATE 2005/03/02 | MOLEX INCORPORATED | | | |
| | 30 OVER | ±0.3 | APPROVED BY NUKITA | DATE 2005/03/02 | DOCUMENT NO. SD-56119-004 | | | |
| | ANGULAR | ±3 ° | MATERIAL NO. SEE CHART | | SHEET NO. 1 OF 1 | | | |
| 0 | DRAFT WHERE APPLICABLE MUST REMAIN WITHIN DIMENSIONS | | SIZE A3 | | THIS DRAWING CONTAINS INFORMATION THAT IS PROPRIETARY TO MOLEX INCORPORATED AND SHOULD NOT BE USED WITHOUT WRITTEN PERMISSION | | | |