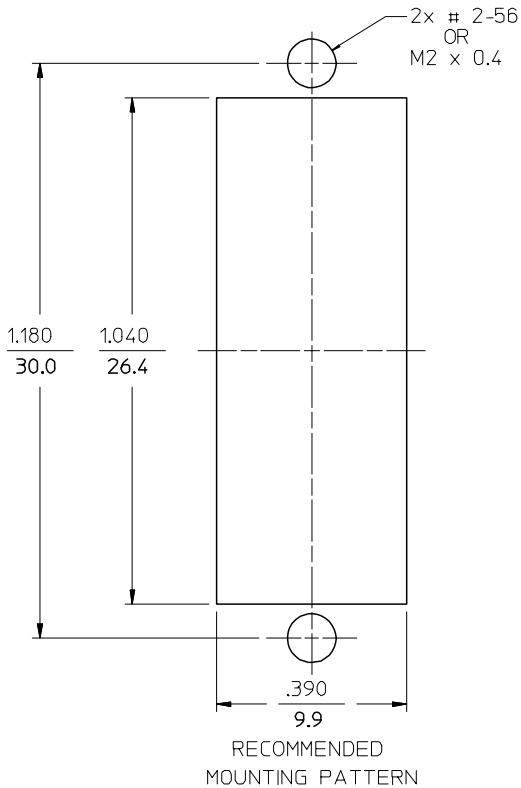
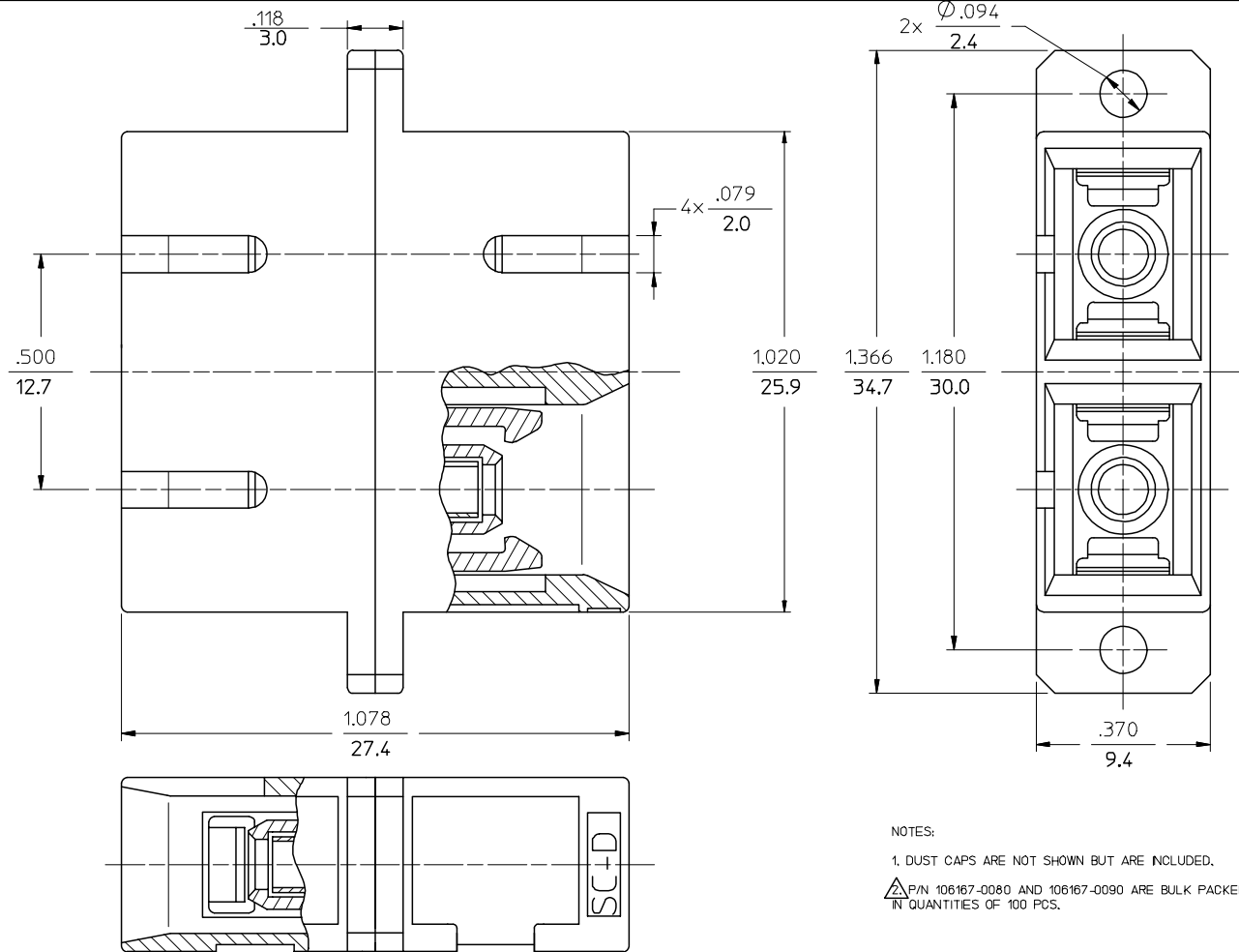


P/N OF ADAPTER	MATERIAL OF SLEEVE	TYPE	COLOR
106166-0000	ZR	SINGLE MODE	BLUE
106167-0000	PHOSPHOR BRONZE		
106167-0090		MULTIMODE	BEIGE
106166-0010	ZR		BLACK
106167-0010	PHOSPHOR BRONZE		
106166-0030	ZR		
106167-0030	PHOSPHOR BRONZE	SINGLE MODE	RED
106166-0040	ZR		
106167-0040	PHOSPHOR BRONZE	APC	GREEN
106166-0050	ZR		
106167-0050	PHOSPHOR BRONZE		AQUA
106167-0070	PHOSPHOR BRONZE		
106167-0080		MULTIMODE	BEIGE



NOTES:
 1. DUST CAPS ARE NOT SHOWN BUT ARE INCLUDED.
 P/N 106167-0080 AND 106167-0090 ARE BULK PACKED IN QUANTITIES OF 100 PCS.

ENTER DESCRIPTION EC NO: MF2006-0749 DRWNG: DRWNGKPEVNER CHKD: 2006/05/12 APPR: IGUMIN 2006/05/12	QUALITY SYMBOLS = 0 = 0	GENERAL TOLERANCES (UNLESS SPECIFIED) <table border="1"> <thead> <tr> <th></th> <th>mm</th> <th>INCH</th> </tr> </thead> <tbody> <tr> <td>4 PLACES</td> <td>± .005</td> <td>± .0005</td> </tr> <tr> <td>3 PLACES</td> <td>± .004</td> <td>± .0004</td> </tr> <tr> <td>2 PLACES</td> <td>± .003</td> <td>± .0003</td> </tr> <tr> <td>1 PLACE</td> <td>± .002</td> <td>± .0002</td> </tr> </tbody> </table>		mm	INCH	4 PLACES	± .005	± .0005	3 PLACES	± .004	± .0004	2 PLACES	± .003	± .0003	1 PLACE	± .002	± .0002	DIMENSION STYLE IN/MM DRAWN BY: RPACIFICI DATE: 2006/01/24 CHECKED BY: _____ DATE: _____	SCALE 4:1 DESIGN UNITS INCH	THIRD ANGLE PROJECTION
		mm	INCH																	
	4 PLACES	± .005	± .0005																	
	3 PLACES	± .004	± .0004																	
2 PLACES	± .003	± .0003																		
1 PLACE	± .002	± .0002																		
MATERIAL NO. SEE TABLE	DOCUMENT NO. SD-10616X-00X0	SHEET NO. 1 OF 1	TITLE DUPLEX ADAPTER (SC-D)																	
DRAFT WHERE APPLICABLE MUST REMAIN WITHIN DIMENSIONS			APPROVED BY: _____ DATE: _____ MOLEX INCORPORATED																	
THIS DRAWING CONTAINS INFORMATION THAT IS PROPRIETARY TO MOLEX INCORPORATED AND SHOULD NOT BE USED WITHOUT WRITTEN PERMISSION																				