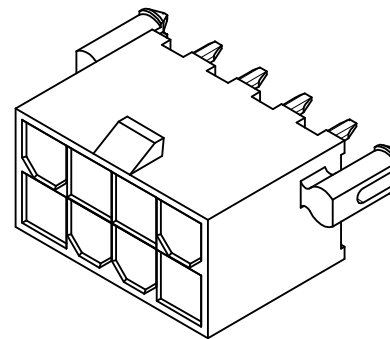
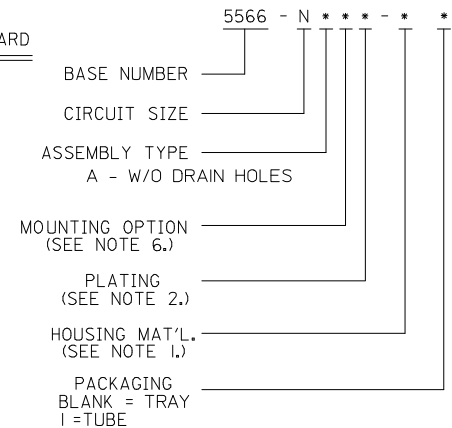


RECOMMENDED HOLE LAYOUT FOR .070/(1.78) MAX. THICK P. C. BOARD  
VIEWED FROM COMPONENT SIDE



CIRCUIT SIZE	DIM. "A"	DIM. "B"	DIM. "C"
2	—	.21 (5.4)	.370 (9.40)
4	.17 (4.2)	.38 (9.6)	.535 (13.60)
6	.33 (8.4)	.54 (13.8)	.701 (17.80)
8	.50 (12.6)	.71 (18.0)	.866 (22.00)
10	.66 (16.8)	.87 (22.2)	1.031 (26.20)
12	.83 (21.0)	1.04 (26.4)	1.197 (30.40)
14	.99 (25.2)	1.20 (30.6)	1.362 (34.60)
16	1.16 (29.4)	1.37 (34.8)	1.528 (38.80)
18	1.32 (33.6)	1.54 (39.0)	1.693 (43.00)
20	1.49 (37.8)	1.70 (43.2)	1.858 (47.20)
22	1.65 (42.0)	1.87 (47.4)	2.024 (51.40)
24	1.82 (46.2)	2.03 (51.6)	2.189 (55.60)

LEGEND:



NOTES:

- HOUSING MATERIAL:  
"BLANK" - NYLON 6/6, UNFILLED U.L. 94V-2, COLOR: NATURAL.  
210 - NYLON 6/6, UNFILLED U.L. 94V-0, COLOR: NATURAL.  
BL - NYLON 6/6, UNFILLED U.L. 94V-2, COLOR: BLACK.  
400 - NYLON 6/6, UNFILLED U.L. 94V-0, COLOR: BLACK.  
TERMINAL MATERIAL: BRASS
- TERMINAL PLATING:  
MS = .000100/(.00254) MIN. MATTE TIN OVER  
.000050/(.00127) MIN. NICKEL OVERALL.
- PRODUCT SPECIFICATION : SEE PS-5556-001
- PACKAGING: SEE CHARTS
- PART MATES WITH MINI-FIT JR. RECEPTACLE #5557.
- MOUNTING OPTIONS (SEE CHARTS):  
"BLANK" - NO PEGS  
2 - PEG MOUNT
- THIS PART CONFORMS TO CLASS B REQUIREMENTS OF COSMETIC SPECIFICATION PS-45499-002.
- ANTI-SHINGLING RIB WILL APPEAR ON ALL HOUSINGS MOLDED AFTER I-I-96.
- CONNECTORS ARE NOT TO BE MATED OR UNMATED WHILE CIRCUITS ARE LIVE.
- PART IS NOT DESIGNED FOR CURRENT SHARING.

REV	DESCRIPTION	QUALITY SYMBOLS	GENERAL TOLERANCES (UNLESS SPECIFIED)		DIMENSION STYLE IN/MM	SCALE 4:1	DESIGN UNITS METRIC	THIRD ANGLE PROJECTION
			mm	INCH				
A10	ADD MS P/N'S EC NO: UCP2014-1674 DRW: NGUYEN 2013/10/15 CHKD: JELL 2013/10/15 APPR: FSMITH 2013/10/22	▽=0 ▽=0 ▽=0	4 PLACES ± .005	± .005	DRAWN BY AD RATNOL	DATE 2006/01/17	<b>MINI-FIT JR. VERTICAL HEADER ASSEMBLIES WITH MOUNTING PEGS</b>  <b>molex</b> DOCUMENT NO. SD-5566-222 SHEET NO. 1 OF 2	
			3 PLACES ± .015	± .015	CHECKED BY GPOLGAR	DATE 2006/01/17		
			2 PLACES ± .038	± .020	APPROVED BY FSMITH	DATE 2011/12/09		
			1 PLACE ± .050	± .015				
			0 PLACE ±	±				
			ANGULAR ±1/2°		MATERIAL NO. <b>SEE SHEET 2</b>			
			DRAFT WHERE APPLICABLE MUST REMAIN WITHIN DIMENSIONS		SIZE C		THIS DRAWING CONTAINS INFORMATION THAT IS PROPRIETARY TO MOLEX INCORPORATED AND SHOULD NOT BE USED WITHOUT WRITTEN PERMISSION	

PLATING:				MS - PER NOTE 2			
DRAIN HOLES:				WITHOUT DRAIN HOLES			
MTG. OPTION:				WITHOUT PEGS			
HOUSING MAT'L:				NYLON 6/6 94V-2 NATURAL			
PACKAGING:				PK-5566-001			
PART NO.	ENG NO.	CKTS					
46999-0126	5566-02AMS	02					
46999-0127	5566-04AMS	04					
46999-0128	5566-06AMS	06					
46999-0129	5566-08AMS	08					
46999-0130	5566-10AMS	10					
46999-0131	5566-12AMS	12					
46999-0132	5566-14AMS	14					
46999-0133	5566-16AMS	16					
46999-0134	5566-18AMS	18					
46999-0135	5566-20AMS	20					
46999-0136	5566-22AMS	22					
46999-0137	5566-24AMS	24					

PLATING:				MS - PER NOTE 2			
DRAIN HOLES:				WITHOUT DRAIN HOLES			
MTG. OPTION:				WITHOUT PEGS			
HOUSING MAT'L:				NYLON 6/6 94V-0 NATURAL			
PACKAGING:				PK-5566-001			
PART NO.	ENG NO.	CKTS					
46999-0138	5566-02AMS-210	02					
46999-0139	5566-04AMS-210	04					
46999-0140	5566-06AMS-210	06					
46999-0141	5566-08AMS-210	08					
46999-0142	5566-10AMS-210	10					
46999-0143	5566-12AMS-210	12					
46999-0144	5566-14AMS-210	14					
46999-0145	5566-16AMS-210	16					
46999-0146	5566-18AMS-210	18					
46999-0147	5566-20AMS-210	20					
46999-0148	5566-22AMS-210	22					
46999-0149	5566-24AMS-210	24					

PLATING:				MS - PER NOTE 2			
DRAIN HOLES:				WITHOUT DRAIN HOLES			
MTG. OPTION:				WITHOUT PEGS			
HOUSING MAT'L:				NYLON 6/6 94V-0 BLACK			
PACKAGING:				PK-5566-001			
PART NO.	ENG NO.	CKTS					
46999-0564	5566-02AMS-400	02					
46999-0565	5566-04AMS-400	04					
46999-0566	5566-06AMS-400	06					
46999-0567	5566-08AMS-400	08					
46999-0568	5566-10AMS-400	10					
46999-0569	5566-12AMS-400	12					
46999-0570	5566-14AMS-400	14					
46999-0571	5566-16AMS-400	16					
46999-0572	5566-18AMS-400	18					
46999-0573	5566-20AMS-400	20					
46999-0574	5566-22AMS-400	22					
46999-0575	5566-24AMS-400	24					

PLATING:				MS - PER NOTE 2			
DRAIN HOLES:				WITHOUT DRAIN HOLES			
MTG. OPTION:				WITH PEGS			
HOUSING MAT'L:				NYLON 6/6 94V-2 NATURAL			
PACKAGING:				PK-5566-001			
PART NO.	ENG NO.	CKTS					
46999-0612	5566-02A2MS	02					
46999-0501	5566-04A2MS	04					
50-34-8559	5566-06A2MS	06					
46999-0613	5566-08A2MS	08					
46999-0614	5566-10A2MS	10					
46999-0615	5566-12A2MS	12					
46999-0616	5566-14A2MS	14					
46999-0617	5566-16A2MS	16					
46999-0618	5566-18A2MS	18					
50-34-8560	5566-20A2MS	20					
46999-0619	5566-22A2MS	22					
46999-0620	5566-24A2MS	24					

PLATING:				MS - PER NOTE 2			
DRAIN HOLES:				WITHOUT DRAIN HOLES			
MTG. OPTION:				WITH PEGS			
HOUSING MAT'L:				NYLON 6/6 94V-0 NATURAL			
PACKAGING:				PK-5566-001			
PART NO.	ENG NO.	CKTS					
46999-0621	5566-02A2MS-210	02					
46999-0502	5566-04A2MS-210	04					
50-34-8562	5566-06A2MS-210	06					
50-34-8563	5566-08A2MS-210	08					
46999-0622	5566-10A2MS-210	10					
46999-0623	5566-12A2MS-210	12					
50-34-8561	5566-14A2MS-210	14					
46999-0624	5566-16A2MS-210	16					
50-34-8564	5566-18A2MS-210	18					
50-36-2357	5566-20A2MS-210	20					
46999-0625	5566-22A2MS-210	22					
50-34-8566	5566-24A2MS-210	24					

PLATING:				MS - PER NOTE 2			
DRAIN HOLES:				WITHOUT DRAIN HOLES			
MTG. OPTION:				WITH PEGS			
HOUSING MAT'L:				NYLON 6/6 94V-0 BLACK			
PACKAGING:				PK-5566-001			
PART NO.	ENG NO.	CKTS					
46999-0335	5566-02A2MS-400	02					
46999-0336	5566-04A2MS-400	04					
46999-0337	5566-06A2MS-400	06					
46999-0338	5566-08A2MS-400	08					
46999-0339	5566-10A2MS-400	10					
46999-0340	5566-12A2MS-400	12					
46999-0341	5566-14A2MS-400	14					
46999-0342	5566-16A2MS-400	16					
46999-0343	5566-18A2MS-400	18					
46999-0344	5566-20A2MS-400	20					
46999-0345	5566-22A2MS-400	22					
46999-0346	5566-24A2MS-400	24					

<b>SEE SHEET 1</b> EC NO: UCP2014-1674 2013/10/15 DRAWINGUYEN 2013/10/15 CHKD:JBELL 2013/10/15 APPR:FSMITH 2013/10/22	QUALITY SYMBOLS 	GENERAL TOLERANCES (UNLESS SPECIFIED)		DIMENSION STYLE <b>IN/MM</b>		SCALE <b>1:1</b>	DESIGN UNITS <b>METRIC</b>	THIRD ANGLE PROJECTION
			mm	INCH	DRAWN BY ADRATNOL	DATE 2006/01/17	TITLE <b>MINI-FIT JR. VERTICAL          HEADER ASSEMBLIES WITH          MOUNTING PEGS</b>	
		4 PLACES ± ---	± ---		CHECKED BY GPOLGAR	DATE 2006/01/17		
		3 PLACES ± ---	± .015		APPROVED BY FSMITH	DATE 2011/12/09		
2 PLACES ± 0.38	± .020		MATERIAL NO. <b>SEE CHART</b>		DOCUMENT NO. <b>SD-5566-222</b>	SHEET NO. <b>2 OF 2</b>		
1 PLACE ± 0.50	± ---		DRAFT WHERE APPLICABLE MUST REMAIN WITHIN DIMENSIONS					
0 PLACE ±	±		THIS DRAWING CONTAINS INFORMATION THAT IS PROPRIETARY TO MOLEX INCORPORATED AND SHOULD NOT BE USED WITHOUT WRITTEN PERMISSION					