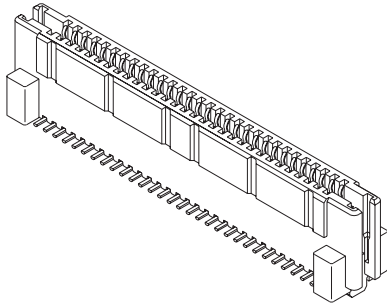


1.00mm (.039") Pitch SlimStack™ Board-to-Board Receptacle

52602
SMT, Dual Row
Vertical Stacking



Features and Benefits

- Stacking heights: 20.0mm
- Sizes 24 to 140 circuits
- Leaf-style design protects pins
- Anti-flux design
- Low insertion force
- Polarization pegs assist placement

Reference Information

Packaging: Tube
Mates With: 53397 and 53408
Designed In: Millimeters

Electrical

Voltage: 100V
Current: 0.5A
Contact Resistance: 70 milliohms max.
Dielectric Withstanding Voltage: 200V AC
Insulation Resistance: 1000 Megohms min.

Physical

Housing: White glass-filled LCP, UL 94V-0
Contact: Phosphor Bronze
Plating: Gold (0.25µm min.) over Nickel
Operating Temperature: -55 to +85°C

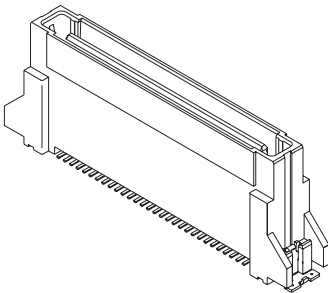
Circuits	Order No.	Lead-free
24	52602-0279	Yes
50	52602-0579	
60	52602-0679	
120	52602-1279	
140	52602-1479	

Note: Contact Molex for embossed tape specifications

Note: Use only one connector per daughterboard in order to insure proper mating alignment

1.00mm (.039") Pitch SlimStack™ Board-to-Board Plug

53408
SMT, Dual Row
Vertical Stacking



Features and Benefits

- Stacking heights: 18.0, 20.0mm
- Sizes 24 to 140 circuits
- Leaf-style design protects pins
- Antiflux design
- Low insertion force
- Polarization pegs assist placement

Reference Information

Packaging: Tube
Mates With: 52584 (H=18.0mm)
52602 (H=20.0mm)
Designed In: Millimeters

Electrical

Voltage: 100V
Current: 0.5A
Contact Resistance: 70 milliohms max.
Dielectric Withstanding Voltage: 200V AC
Insulation Resistance: 1000 Megohms min.

Physical

Housing: White glass-filled LCP, UL 94V-0
Contact: Phosphor Bronze
Plating: Gold (0.25µm) over Nickel
Operating Temperature: -55 to +85°C

Circuits	Order No.	Lead-free
24	53408-0279	Yes
50	53408-0579	
60	53408-0679	
80	53408-0879	
100	53408-1079	
120	53408-1279	
140	53408-1479	

Note: Contact Molex for embossed tape specifications

Note: Use only one connector per daughterboard in order to insure proper mating alignment