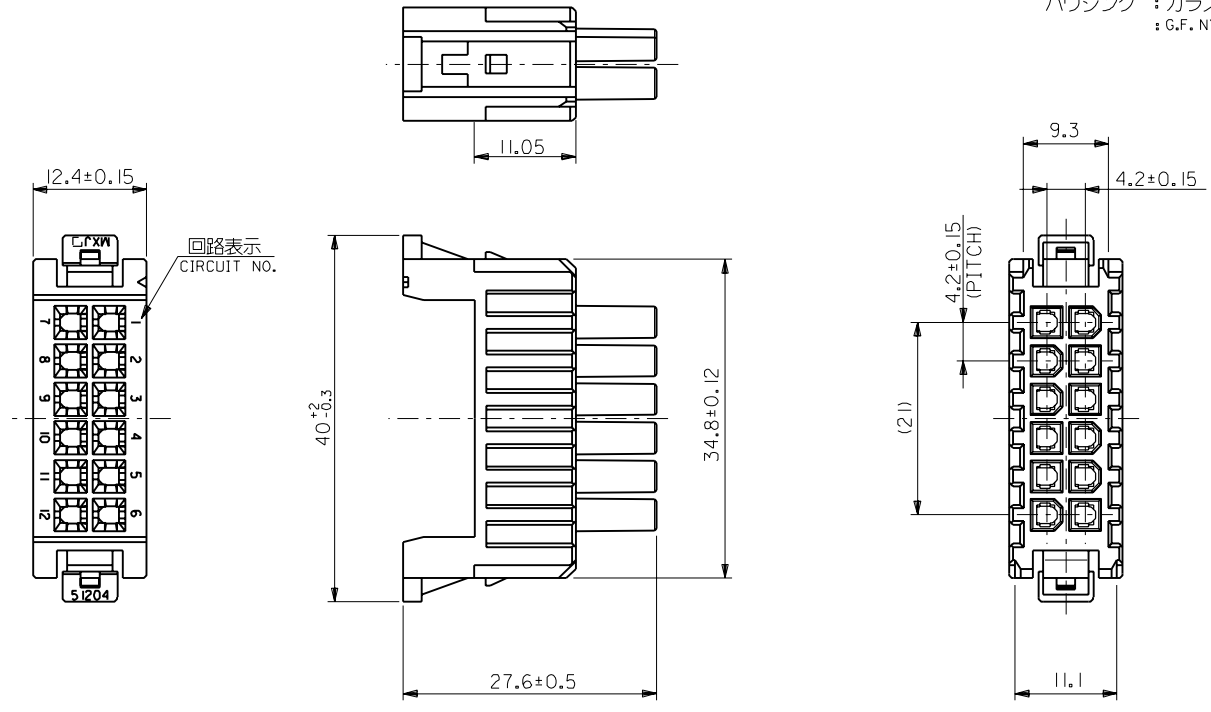


DWG. NO. SD-51204-002

注記  
NOTES.

1. 適合ターミナル : 5556\*\*\*\*  
APPLICABLE TERMINAL: 5556\*\*\*\*
2. 材質  
MATERIAL  
ハウジング : ガラス入りナイロン66 UL94V-0 色: 自然色  
: G.F. NYLON UL94V-0 COLOR : NATURAL



DO NOT SCALE DRAWING

EC NO. DRWN: CHK: APPR:	EC NO. DRWN: CHK: APPR:	EC NO. DRWN: CHK: APPR:	REVISED '98/12/23 EC NO. JD90898 DRWN: Y. TETSUKA CHK: SAKIYAMA/YO.ITO APPR: HIKESUGI	REV INS. RANGE 被覆外径	MATERIAL 材料	GENERAL TOLERANCES: (UNLESS SPECIFIED) 一般公差	SCALE 2-1	DESIGN UNITS <input checked="" type="checkbox"/> mm <input type="checkbox"/> INCH	THIRD ANGLE PROJECTION	DIMENSIONS: <input type="checkbox"/> mm <input type="checkbox"/> INCH <input checked="" type="checkbox"/> mm ONLY	SHT REV	REVISE ON CAD ONLY
					注記参照 SEE NOTES.	10 UNDER 未満	+0.2	DRAWN BY & DATE S. Adiyama 98/9/9	TITLE: POWER CONN. 12P SOCKET HOUSING			
					FINISH 仕上付	10 OVER 以上	+0.25	CHECKED BY & DATE Y.Og				
					WIRE RANGE 適用線径範囲	30 UNDER 未満	+0.3	APPROVED BY & DATE S. Adiyama				
						ANGLE 角度	+3°	CAD FILE NAME 51204002.S01	MATERIAL NO. SEE CHART	DRAWING NO. SD-51204-002	SHEET NO. 1 OF 1	SIZE B
THIS DRAWING CONTAINS INFORMATION THAT IS PROPRIETARY TO MOLEX INCORPORATED AND SHOULD NOT BE USED WITHOUT WRITTEN PERMISSION.												

51204-I200	51204-I200
MATERIAL.NO	MODEL.NO