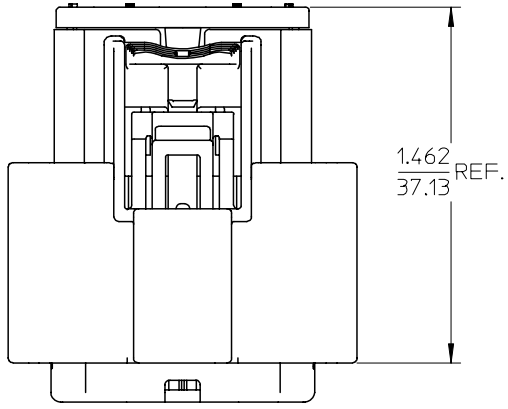
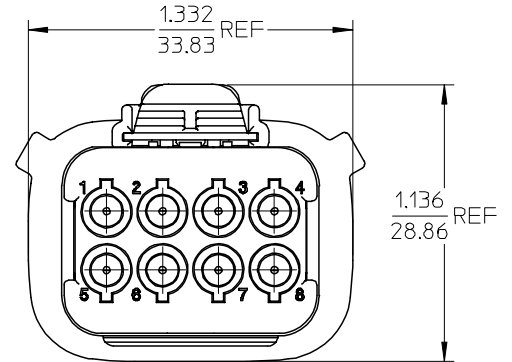
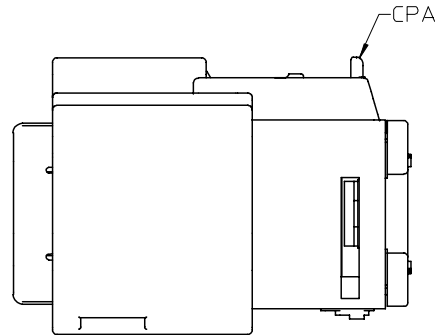
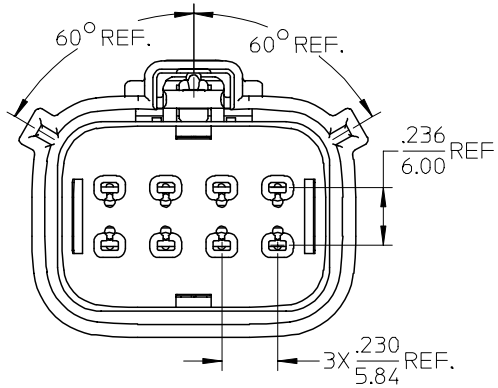
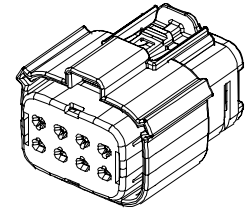


10 9 8 7 6 5 4 3 2 1



194180023	16-14	NO
194180022	22-18	
194180002	16-14	YES
194180001	22-18	
MATERIAL NUMBER	UL WIRE AWG	CPA



NOTES:

- MATERIALS:
HOUSING: POLYESTER (PBT), GLASS FILLED, UL94 V-0,
COLOR: BLACK.
SEALS: SILICONE RUBBER.
- PRODUCT SPECIFICATION: PS-19417-001.
- PACKAGING SPECIFICATION: PK-19418-001.
- MATES WITH: 19419 SERIES PLUG ASSEMBLIES.
- USE CONNECTOR WITH FEMALE CRIMP TERMINAL SERIES 19420.

REVISED EC NO: DRW: JPAMLCK 2005/08/30 CHKD: JPAMLCK 2005/09/12 APPR: JPAMLCK 2005/09/12 B1	DESCRIPTION QUALITY SYMBOLS ▽=0 ▽=0	GENERAL TOLERANCES (UNLESS SPECIFIED)		DIMENSION STYLE IN/MM		SCALE 1:1	DESIGN UNITS INCH	THIRD ANGLE PROJECTION
		4 PLACES ± --- ± ---	DRAWN BY BRUPERT	DATE 12/06/02	TITLE 8 WAY RECEPTACLE ASSEMBLY, KEY A POLARIZATION			
		3 PLACES ± --- ± .015	CHECKED BY JPAWLICK	DATE 12/06/02				
		2 PLACES ± 0.38 ± ---	APPROVED BY RDEROSS	DATE 12/06/02	MOLEX INCORPORATED DOCUMENT NO. SD-19418-003			
1 PLACE ± --- ± ---	MATERIAL NO. SEE CHART		SHEET NO. 1 OF 1					
DRAFT WHERE APPLICABLE MUST REMAIN WITHIN DIMENSIONS		THIS DRAWING CONTAINS INFORMATION THAT IS PROPRIETARY TO MOLEX INCORPORATED AND SHOULD NOT BE USED WITHOUT WRITTEN PERMISSION						

9 8 7 6 5 4 3 2 1