

DO NOT SCALE DRAWING DIMENSION IN METRIC

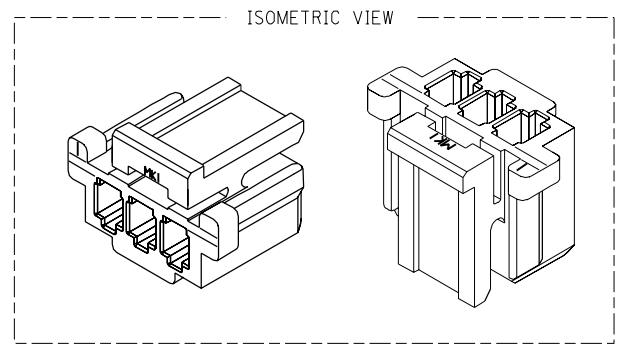
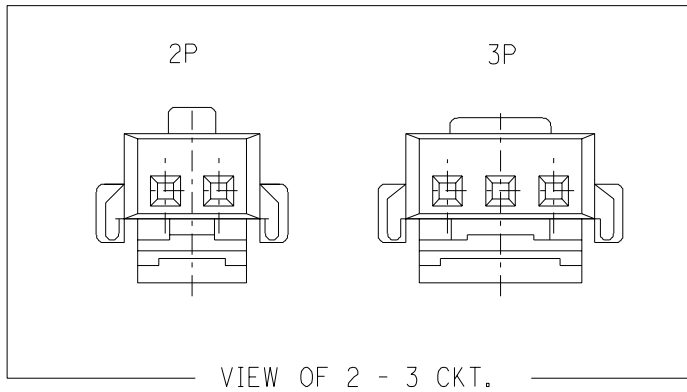
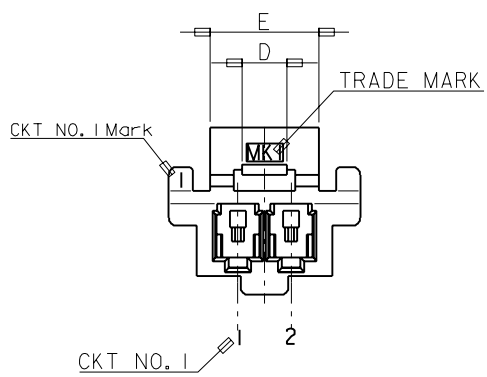
DWG. NO. SD-35507-001

SIMILAR ITEM

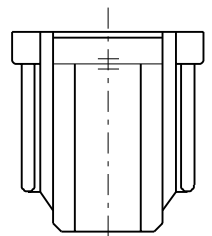
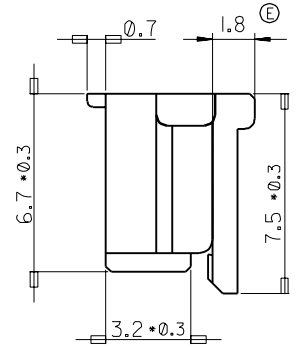
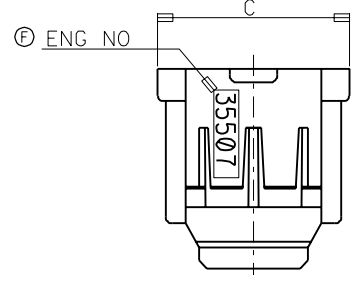
PROJECT NO.

B

REVISED

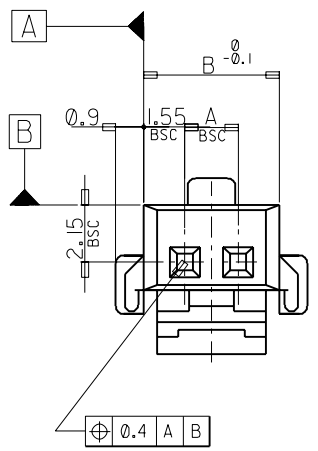


FOR 2 & 3 CKTS.



LEGEND

CKT NO.	**0*	COLOR	0 : NATURAL
			1 : BLACK
			2 : RED
			3 : YELLOW
			4 : BLUE
			5 : GREEN



NOTES

1. MATERIAL : POLYESTER, UL94V-0
2. FINISH : VARIABLE COLOR (SEE LEGEND)
3. PRODUCT SPECIFICATION NO : PS-35507-001
4. APPLICABLE TERMINAL : 50212-8000
5. MATES WITH : 35362-**, 35363-**

2.5	9.2	7.1	4	-030*	3
1.7	7.2	5.1	2	35507-020*	2
D	C	B	A	ENG NO.	CKT

30 over	+0.3
10 over 30 under	±0.25
10 under	±0.2
ANGLE	±3°
GENERAL TOLERANCE	

REVISED	EC NO. KOR 2002-0043
	DRWN: YSOOKIM (200011123)
	CHK: YSikKim
	APPR: CWLEE
DESCRIPTION	
REV	F

QUALITY SYMBOLS	MAJOR	CRITICAL
	▲	▼
	C	

GENERAL TOLERANCES: (UNLESS SPECIFIED)	
mm	INCH
4 PLACES	±0.1
3 PLACES	±0.1
2 PLACES	±0.1
1 PLACE	±0.1
ANGULAR: ± 0.1°	
DRAFT WHERE APPLICABLE MUST REMAIN WITHIN DIMENSIONS	

SCALE 1:1	DESIGN UNITS <input checked="" type="checkbox"/> mm <input type="checkbox"/> INCH
DRAWN BY & DATE Y.S.Kim 960911	
CHECKED BY & DATE Y.Sik.Kim	
APPROVED BY & DATE C.W.Lee	
CAD FILENAME SD35507.S02	

THIRD ANGLE PROJECTION		DIMENSIONS: <input type="checkbox"/> mm <input type="checkbox"/> INCH <input checked="" type="checkbox"/> mm ONLY		SHT	REV
TITLE: NEW 2.0 W/B CONN HOUSING (2 & 3 CKTS Only)		MOLEX INCORPORATED KOREA		REVISE ON CAD ONLY	
MATERIAL NO.	DRAWING NO. SD-35507-001	SHEET NO. 2/3		SIZE B	
THIS DRAWING CONTAINS INFORMATION THAT IS PROPRIETARY TO MOLEX INCORPORATED AND SHOULD NOT BE USED WITHOUT WRITTEN PERMISSION.					