

DWG. NO. SD-54457-025

F

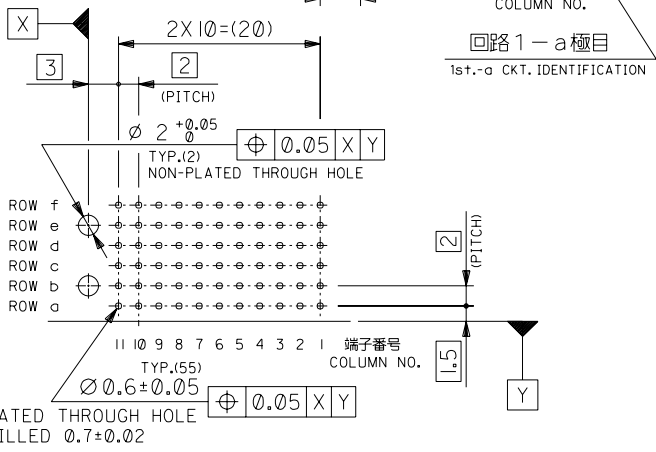
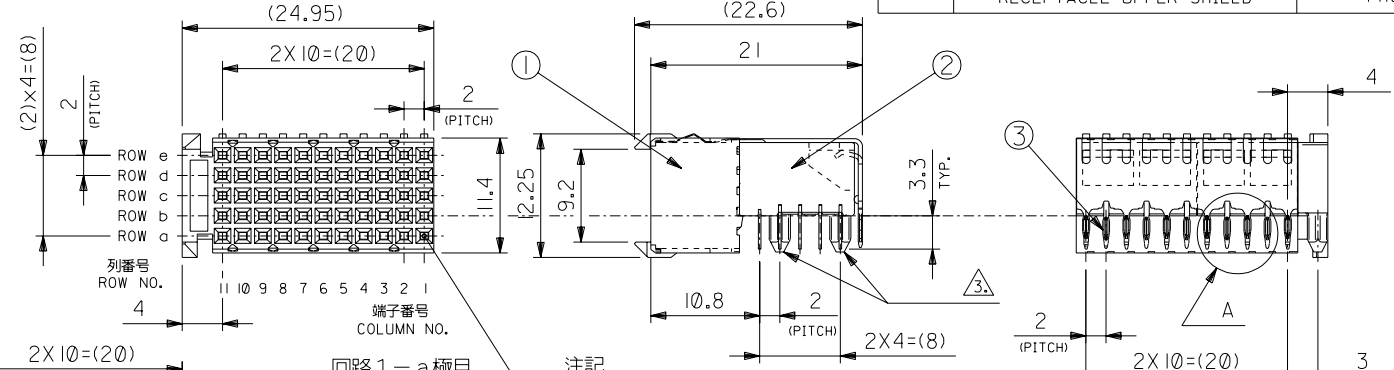
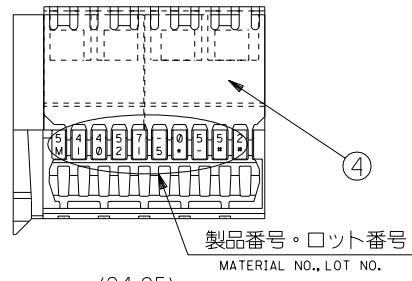
D

C

B

DO NOT SCALE DRAWING

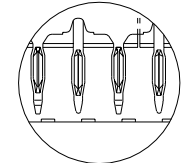
番号 NO.	部品 PART NAME	材質 MATERIAL	仕上げ FINISH
①	リセプタクル ハウジング RECEPTACLE HOUSING	液晶ポリマー、UL94V-0 LCP, UL94V-0	—
②	リセプタクル カバー RECEPTACLE COVER	液晶ポリマー、UL94V-0 LCP, UL94V-0	—
③	リセプタクル ターミナル RECEPTACLE TERMINAL	リン青銅 PHOSPHOR BRONZE	△1
④	リセプタクル アッパー シールド RECEPTACLE UPPER SHIELD	リン青銅 PHOSPHOR BRONZE	△2



注記 NOTES

- △1. ターミナルめっき仕様
TERMINAL PLATING
金めっき: 0.8 μm MIN. (接点部)
GOLD: 0.8 μm MIN. (CONTACT AREA)
半田めっき: 0.5 μm MIN. (プレスフィット部)
TIN-LEAD: 0.5 μm MIN. (PRESS-FIT AREA)
ニッケルめっき: 1.3 μm MIN. (下地めっき)
NICKEL: 1.3 μm MIN. (UNDER PLATING)
- △2. シールドめっき仕様
SHIELD PLATING
金めっき (接点部)
GOLD (CONTACT AREA)
半田めっき (プレスフィット部)
TIN-LEAD (PRESS-FIT AREA)
ニッケルめっき (下地めっき)
NICKEL (UNDER PLATING)
- △3. 基板保持用モールドペグ
RETENTION PEG (MOLD)
- △4. f列はシールドフレーム用基板穴。
THROUGH HOLE OF ROW f FOR SHIELD.

PRESS-FIT TAIL



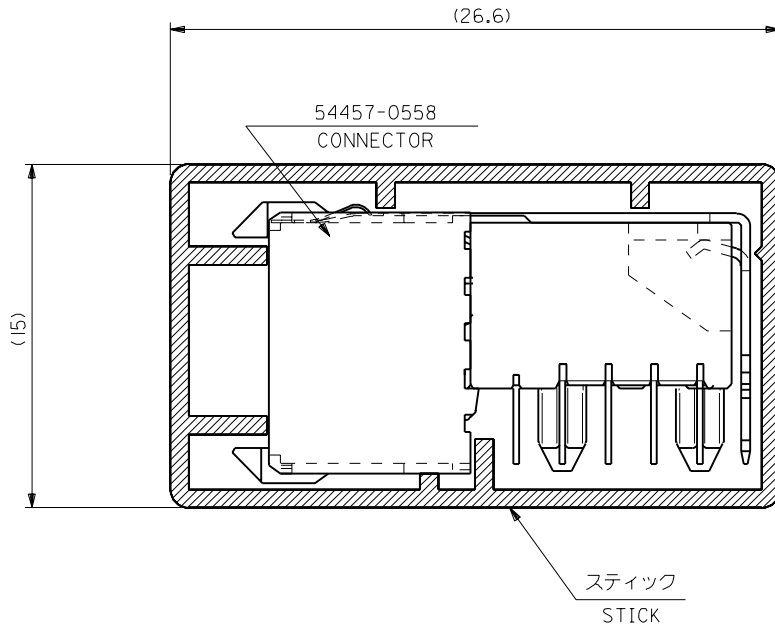
DETAIL A (SCALE:4-1)

MODEL NO.	54457-0558	55
MATERIAL NO.	54457-0558	極数 PIN
DIMENSIONS:		REV
<input type="checkbox"/> mm <input type="checkbox"/> INCH	<input checked="" type="checkbox"/> mm ONLY	REVISION ON CAD ONLY

REV	DESCRIPTION	MATERIAL 材料	FINISH 仕上げ	WIRE RANGE 適用線径範囲	INS. RANGE 被覆外径	GENERAL TOLERANCES: (UNLESS SPECIFIED) 一般公差	SCALE	DESIGN UNITS	THIRD ANGLE PROJECTION	TITLE:	MATERIAL NO.	DRAWING NO.	SHEET NO.
8	REVISED EC NO. J2003-0788 DRWN: S.ANDO CHK: A.NODA APPR: A.NODA	—	—	—	—	10 UNDER 未満 ±0.2	2-1	mm <input checked="" type="checkbox"/> INCH <input type="checkbox"/>	◎	"MZIP" B/B CONN. REC. RIGHT ANGLE ASS'Y TYPE C WITH SHIELD	54457-0558	SD-54457-025	1 OF 1
7	REVISED EC NO. JD2001-1170 DRWN: S.ANDO CHK: A.NODA APPR: H.IKESUGI	—	—	—	—	10 OVER 30 UNDER 未満 ±0.25	DRAWN BY & DATE <i>S. Ando</i>	<input type="checkbox"/> mm <input type="checkbox"/> INCH	<input type="checkbox"/> THIRD ANGLE PROJECTION	MOLEX MOLEX INCORPORATED	54457-0558	SD-54457-025	1 OF 1
6	REVISED EC NO. JD2000-1248 DRWN: S.HOSHIKAWA CHK: A.NODA APPR: H.IKESUGI	—	—	—	—	30 OVER 以上 ±0.3	CHECKED BY & DATE <i>A. Noda</i>	<input type="checkbox"/> THIRD ANGLE PROJECTION	<input type="checkbox"/> THIRD ANGLE PROJECTION				
5	RELEASED EC NO. JD2000-0529 DRWN: S.HOSHIKAWA CHK: A.NODA APPR: H.IKESUGI	—	—	—	—	ANGLE 角度 ±3°	APPROVED BY & DATE <i>H. Ando</i>	<input type="checkbox"/> THIRD ANGLE PROJECTION	<input type="checkbox"/> THIRD ANGLE PROJECTION	THIS DRAWING CONTAINS INFORMATION THAT IS PROPRIETARY TO MOLEX INCORPORATED AND SHOULD NOT BE USED WITHOUT WRITTEN PERMISSION.	54457-0558	SD-54457-025	SIZE B

SD-54457-025.S01

DWG. NO.
SD-54457-034



注記
NOTES

1. スティック両端はテープ止め。
BOTH ENDS WITH TAPES.
2. 全長：560±2mm
TOTAL LENGTH :
3. 肉厚：0.8±0.2mm
THICKNESS :

54457-0552	22	54457-0552	55
MODEL NO.	梱包数 QUANTITY	MATERIAL NO.	極数 PIN

SCALE 5-1	DESIGN UNITS <input checked="" type="checkbox"/> mm <input type="checkbox"/> INCH	PROJECTION <input checked="" type="checkbox"/> FIRST ANGLE	DIMENSIONS: <input type="checkbox"/> mm <input type="checkbox"/> INCH <input checked="" type="checkbox"/> mm ONLY	SHT REV
DRAWN BY & DATE <i>S. Hoshikawa</i> '00/05/18	CHECKED BY & DATE <i>A. Noda</i> '00/05/18	TITLE: "MZP" B/B CONN. REC. RIGHT ANGLE 54457-0558 STICK PACKING	MOLEX INCORPORATED	
CAD FILENAME SD-54457-034.S01	MATERIAL NO. SEE CHART	DRAWING NO. SD-54457-034	SHEET NO. 1 OF 1	

DO NOT SCALE DRAWING

EG4NO. DRWN: CHK: APPR:	EG3NO. DRWN: CHK: APPR:	EG2NO. DRWN: CHK: APPR:	EG1NO. DRWN: CHK: APPR:	RELEASED EG0NO. JD2000-1248 DRWN: S.HOSHIKAWA CHK: A.NODA APPR: H.IKESUGI
				0

MATERIAL 材料	スティック：ポリ塩化ビニル STICK: PVC
FINISH 仕上げ	—
WIRE RANGE 適用電線範囲	—
INS. RANGE 被覆外径	—

GENERAL TOLERANCES: (UNLESS SPECIFIED) 一般公差	10 UNDER 未満	+0.2
	10 OVER 以上 30 UNDER 未満	+0.25
	30 OVER 以上	+0.3
ANGLE 角度		+3°

THIS DRAWING CONTAINS INFORMATION THAT IS PROPRIETARY TO MOLEX INCORPORATED AND SHOULD NOT BE USED WITHOUT WRITTEN PERMISSION.		SIZE B
--	--	-----------