

NOTES

- 製品詳細寸法については図面 545481000/PSD/000 を参照下さい。
RE DETAILED DIMENSION, SEE 545481000/PSD/000
 - 梱包数量：3000個/リール
NUMBER OF CONNECTORS : 3000PCS/REEL
 - リードテープ長さ LEAD TAPE LENGTH
-
- カバーテープの剥離強度については、IEC60286-3に準拠。
COVER TAPE PEEL FORCE IS DEFINED BY IEC60286-3.
 - 材料 (MATERIAL)
キャリアテープ (CARRIER TAPE) : ポリプロピレン (POLYPROPYLENE)
トップテープ (TOPTAPE) : PET, PE, PEF
リール (REEL) : ポリスチレン (PS) <リサイクル材を含む>
POLYSTYREN (PS) <RECYCLE MATERIAL CONTAINED>
 - ELV及びRoHS適合品。
ELV AND RoHS COMPLIANT.

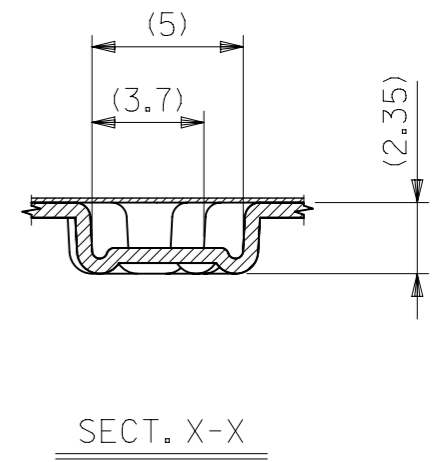
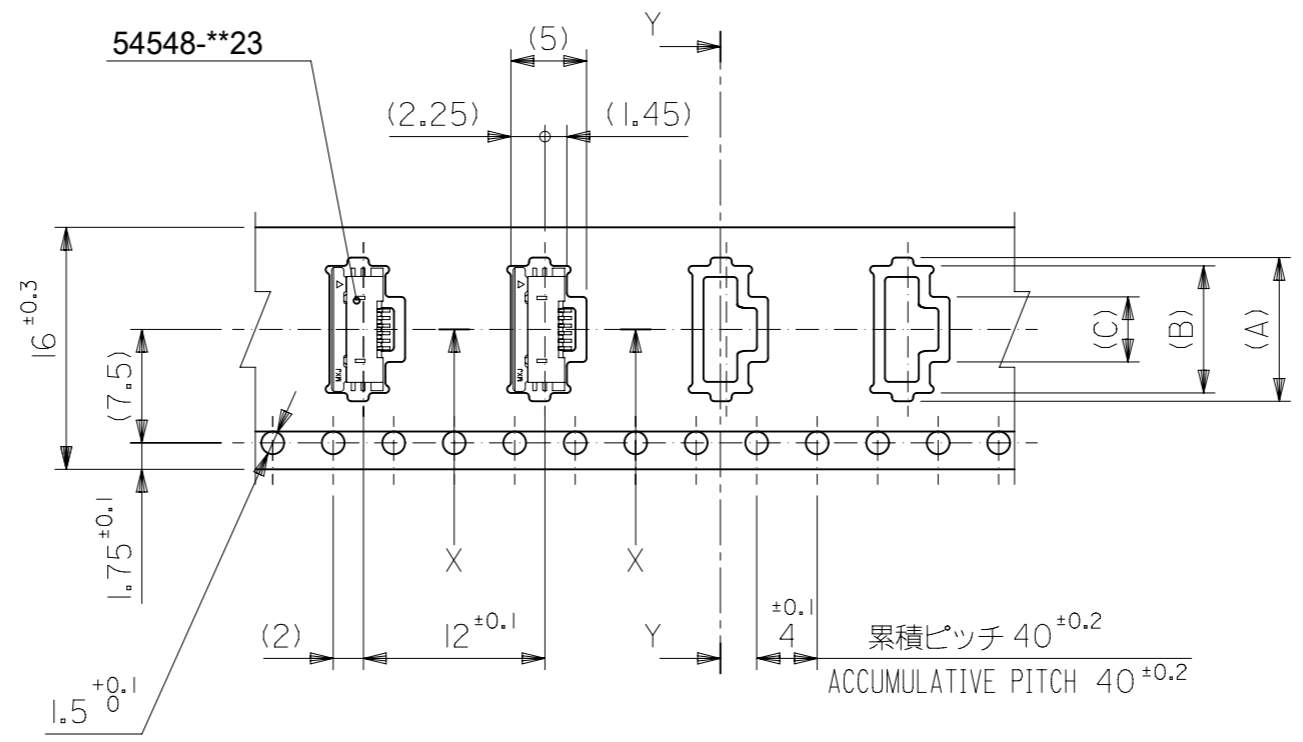
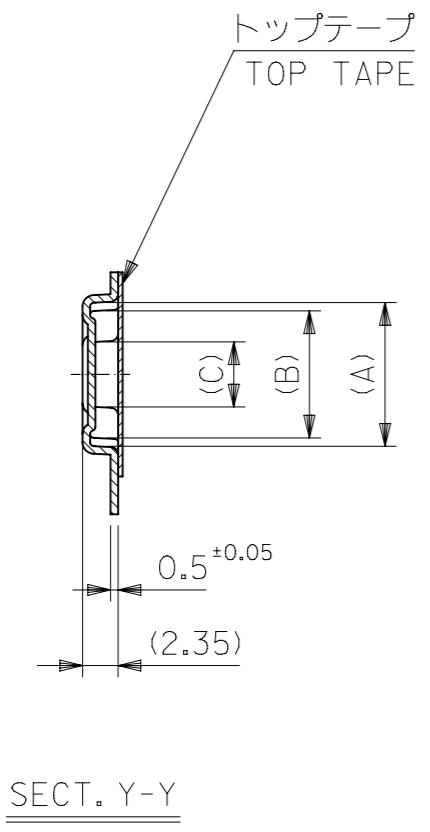
54548-**34

MODEL NO.

| | | | | | |
|-----------------------------------------------------------------------------------------------------------------------------------------------|-------|-----------------------------|--|--------------------------|--|
| THIS DRAWING CONTAINS INFORMATION THAT IS PROPRIETARY TO MOLEX ELECTRONIC TECHNOLOGIES, LLC AND SHOULD NOT BE USED WITHOUT WRITTEN PERMISSION | | CURRENT REV DESC: | | molex | |
| DIMENSION UNITS | SCALE | EC NO: 710011 | | | |
| mm | 1:1 | DRWN: NARENC 2022/05/30 | | PRODUCT CUSTOMER DRAWING | |
| GENERAL TOLERANCES (UNLESS SPECIFIED) | | CHK'D: YNAITO 2022/06/10 | | DOCUMENT NUMBER | |
| ANGULAR TOL ± 3.0° | | APPR: SHOSHIKAWA 2022/06/10 | | 545480000 | |
| 4 PLACES ± | | INITIAL REVISION: | | DOC TYPE | |
| 3 PLACES ± | | DRWN: NARENC 2022/05/30 | | PSD | |
| 2 PLACES ± | | APPR: SHOSHIKAWA 2022/06/10 | | DOC PART | |
| 1 PLACE ± | | SERIES | | 000 | |
| 0 PLACES ± | | MATERIAL NUMBER | | A | |
| DRAFT WHERE APPLICABLE MUST REMAIN WITHIN DIMENSIONS | | THIRD ANGLE PROJECTION | | REVISION | |
| DRAWING | | CUSTOMER | | 1 OF 3 | |
| A3-SIZE | | GENERAL MARKET | | | |
| 54548 | | | | | |

| GENERAL TOLERANCES (UNLESS SPECIFIED) | |
|----------------------------------------|-------|
| 10 ^{UNDER} | ±0.2 |
| 10 ^{OVER} 30 ^{UNDER} | ±0.25 |
| 30 ^{OVER} | ±0.3 |

引き出し方向
PULL OUT DIRECTION



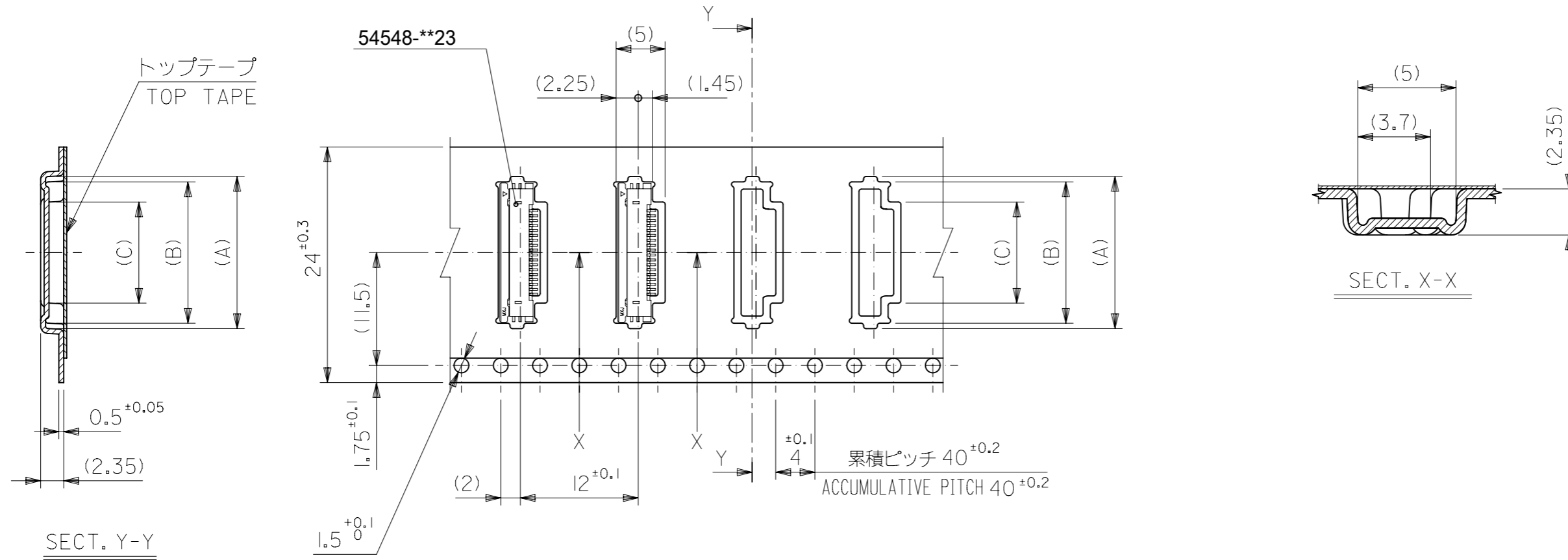
16mm幅キャリアテープ
16mm WIDTH CARRIER TAPE

| | | | | | | | |
|--------------------------------|------|------|-----|-----|-----|----------------------|---------------|
| 16 | 21.4 | 17.4 | 4.3 | 8.4 | 9.5 | 54548-0634 | 6 |
| | | | 3.8 | 7.9 | 9 | 54548-0534 | 5 |
| | | | 3.3 | 7.4 | 8.5 | 54548-0434 | 4 |
| キャリアテープ幅 CARRIER TAPE WIDTH | E | D | (C) | (B) | (A) | 製品番号 MATERIAL No. | 極数 CIRCUIT |
| | | | | | | 54548-**34 | MODEL NO. |

| | | | | | |
|-----------------------------------------------------------------------------------------------------------------------------------------------|--------------|---------------------------------------------------------|--|---------------------------------------------|--|
| THIS DRAWING CONTAINS INFORMATION THAT IS PROPRIETARY TO MOLEX ELECTRONIC TECHNOLOGIES, LLC AND SHOULD NOT BE USED WITHOUT WRITTEN PERMISSION | | CURRENT REV DESC: | | molex | |
| DIMENSION UNITS mm | SCALE 2:1 | EC NO: 710011 | | | |
| GENERAL TOLERANCES (UNLESS SPECIFIED) | | DRWN: NARENC 2022/05/30 | | EMBSTP PKG FOR 0.5 FPC CONN ZIF HSG ASSY | |
| ANGULAR TOL ± 3.0° | | CHK'D: YNAITO 2022/06/10 | | PRODUCT CUSTOMER DRAWING | |
| 4 PLACES ± | | APPR: SHOSHIKAWA 2022/06/10 | | DOCUMENT NUMBER | |
| 3 PLACES ± | | INITIAL REVISION: | | 545480000 | |
| 2 PLACES ± | | DRWN: NARENC 2022/05/30 | | DOC TYPE | |
| 1 PLACE ± | | APPR: SHOSHIKAWA 2022/06/10 | | PSD | |
| 0 PLACES ± | | DRAFT WHERE APPLICABLE MUST REMAIN WITHIN DIMENSIONS | | DOC PART | |
| THIRD ANGLE PROJECTION | | DRAWING | | REVISION | |
| A3-SIZE | | SERIES | | A | |
| 54548 | | MATERIAL NUMBER | | SHEET NUMBER | |
| SEE TABLE | | CUSTOMER | | 2 OF 3 | |
| GENERAL MARKET | | | | | |

| | |
|----------------------------------------|-------|
| GENERAL TOLERANCES (UNLESS SPECIFIED) | |
| 10 ^{UNDER} | ±0.2 |
| 10 ^{OVER} 30 ^{UNDER} | ±0.25 |
| 30 ^{OVER} | ±0.3 |

引き出し方向
PULL OUT DIRECTION



24mm幅キャリアテープ
24mm WIDTH CARRIER TAPE

| | | | | | | | |
|--------------------------------|------|------|------|------|------|----------------------|---------------|
| 24 | 29.4 | 25.4 | 11.3 | 15.4 | 16.5 | 54548-2034 | 20 |
| | | | 8.3 | 12.4 | 13.5 | 54548-1434 | 14 |
| | | | 7.8 | 11.9 | 13 | 54548-1334 | 13 |
| | | | 7.3 | 11.4 | 12.5 | 54548-1234 | 12 |
| | | | 6.3 | 10.4 | 11.5 | 54548-1034 | 10 |
| | | | 5.3 | 9.4 | 10.5 | 54548-0834 | 8 |
| | | | 4.8 | 8.9 | 10 | 54548-0734 | 7 |
| キャリアテープ幅 CARRIER TAPE WIDTH | E | D | (C) | (B) | (A) | 製品番号 MATERIAL No. | 極数 CIRCUIT |

54548-**34

MODEL NO.

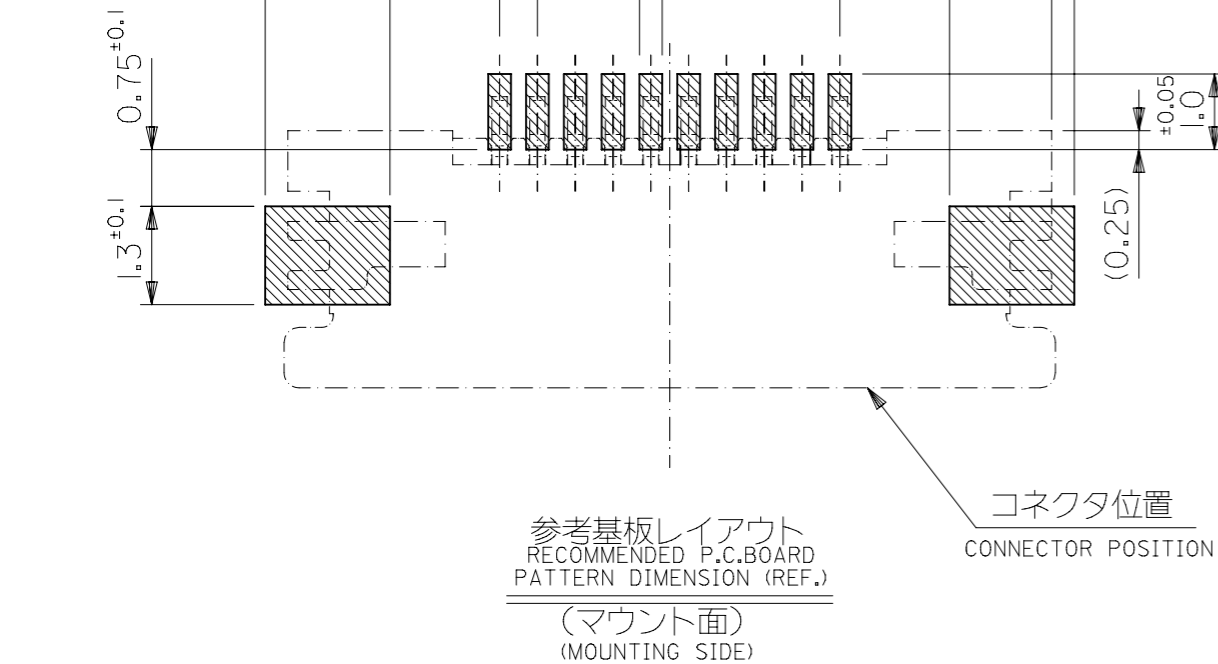
THIS DRAWING CONTAINS INFORMATION THAT IS PROPRIETARY TO MOLEX ELECTRONIC TECHNOLOGIES, LLC AND SHOULD NOT BE USED WITHOUT WRITTEN PERMISSION

| | | | | | | |
|---------------------------------------------------------|---------------------|-----------------------------|---------|--------------------------|-----------------|----------------|
| DIMENSION UNITS mm | SCALE 2:1 | CURRENT REV DESC: | | molex | | |
| GENERAL TOLERANCES (UNLESS SPECIFIED) | | EC NO: 710011 | | | | |
| ANGULAR TOL ± 3.0° | | DRWN: NARENC 2022/05/30 | | PRODUCT CUSTOMER DRAWING | | |
| 4 PLACES ± | | CHK'D: YNAITO 2022/06/10 | | DOCUMENT NUMBER | | |
| 3 PLACES ± | | APPR: SHOSHIKAWA 2022/06/10 | | 545480000 | | |
| 2 PLACES ± | | INITIAL REVISION: | | DOC TYPE | | |
| 1 PLACE ± | | DRWN: NARENC 2022/05/30 | | PSD | | |
| 0 PLACES ± | | APPR: SHOSHIKAWA 2022/06/10 | | DOC PART | | |
| DRAFT WHERE APPLICABLE MUST REMAIN WITHIN DIMENSIONS | | THIRD ANGLE PROJECTION | DRAWING | SERIES | MATERIAL NUMBER | CUSTOMER |
| | | | A3-SIZE | 54548 | SEE TABLE | GENERAL MARKET |
| | | | | | | REVISION |
| | | | | | | A |
| | | | | | | 3 OF 3 |

GENERAL TOLERANCES (UNLESS SPECIFIED)

| | |
|----------------------------------------|-------|
| 10 ^{UNDER} | ±0.2 |
| 10 ^{OVER} 30 ^{UNDER} | ±0.25 |
| 30 ^{OVER} | ±0.3 |

(公差非累積)
(NON-ACCUMULATIVE)



参考基板レイアウト
RECOMMENDED P.C. BOARD
PATTERN DIMENSION (REF.)
(マウント面)
(MOUNTING SIDE)

コネクタ位置
CONNECTOR POSITION

注記 NOTES

1. 使用材料 MATERIAL

- ハウジング : 液晶ポリマー (LCP)、ナチュラル(白色)、ガラス充填、UL94V-0
HOUSING LIQUID CRYSTAL POLYMER, NATURAL(WHITE), GLASS FILLED, UL-94V0
- アクチュエータ : ポリフェニレンサルファイド(PPS)、黒色ガラス充填、UL94V-0
ACTUATOR POLYPHENYLENE SULFIDE, BLACK, GLASS FILLED, UL-94V0
- ターミナル : リン青銅 (t=0.2)
TERMINAL PHOSPHOR BRONZE (t=0.2)
- 金具 : リン青銅 (t=0.2)、
FITTING NAIL PHOSPHOR BRONZE (t=0.2)

- めっき仕様 PLATING
ターミナル TERMINAL
錫銀ビスマスマッキ(1.0µm以上)
下地:ニッケルメッキ(1.0µm以上)
TIN SILVER BISMUTH PLATING (1.0 MICROMETER MINIMUM)
UNDER PLATE : NICKEL PLATING (1.0 MICROMETER MINIMUM)
- 金具 FITTING NAIL
錫メッキ(1.0µm以上)
下地:ニッケルメッキ(1.0µm以上)
TIN PLATING
TIN PLATING (1.0 MICROMETER MINIMUM)
UNDER PLATE : NICKEL PLATING (1.0 MICROMETER MINIMUM)

R0.3はFPCの導体部にかからないこと
R0.3 MUST NOT BE OVERLAPPED TO PATTERN OF FPC.

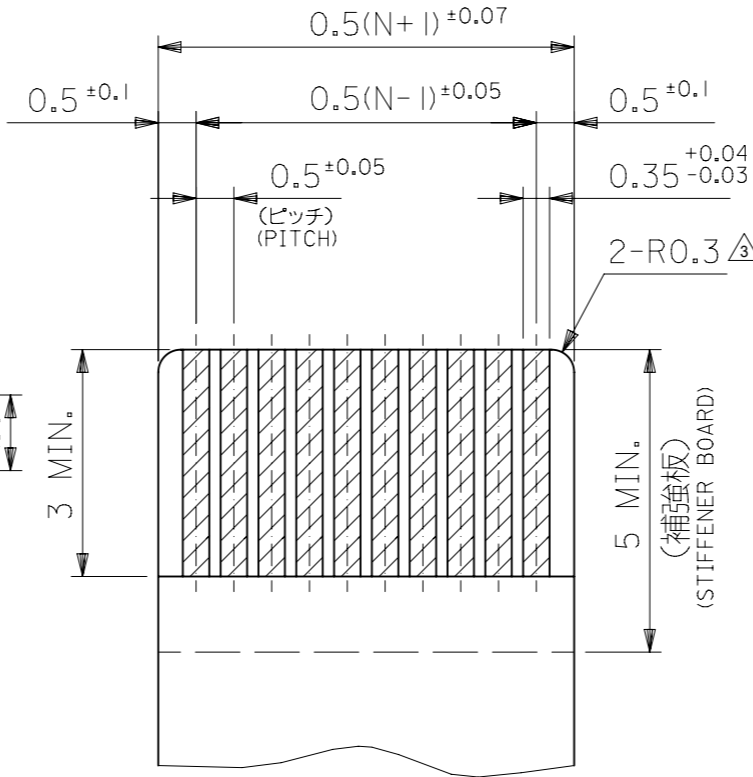
4. エンボステープ梱包時は、アクチュエータがロックした状態とする。
IN THE PACKAGE, ACTUATOR OF PART NO.54548-**23 SHOULD BE LOCKED.

△ソルダーテール半田付け面のズレ量、及び金具半田付け面のズレ量は、基準面 Z に対し上方向 0MAX.、下方向 0.15MAX.とし、相互のパラッキ量は0.1MAX.とする。
MISALIGNMENT OF SOLDER TAILS AND FITTING NAILS FROM UPPER DIRECTION: 0 MAX., LOWER DIRECTION: 0.15 MAX. OFFSET BETWEEN UPPER AND LOWER 0.1 MAX.

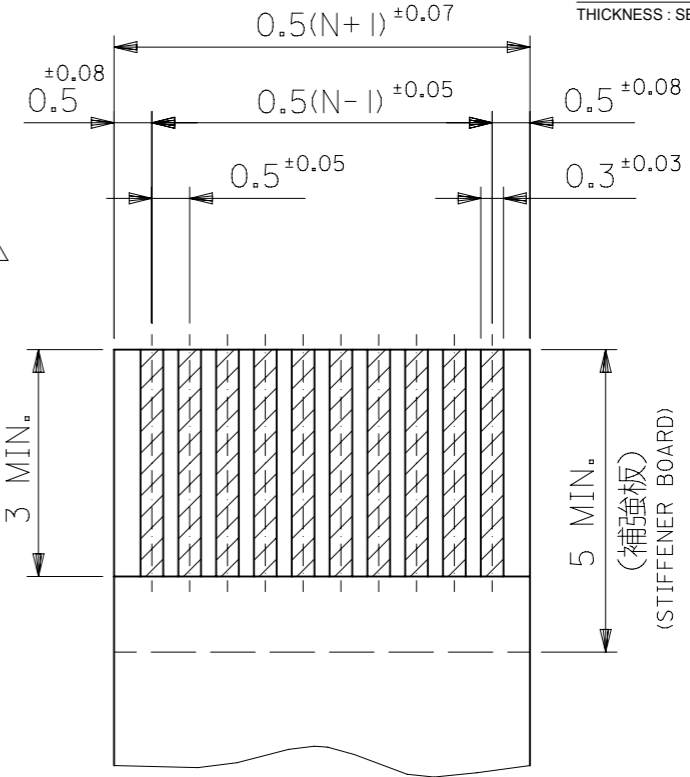
△偶数極に適用。
APPLY FOR EVEN CIRCUIT.

△パターンはくり止め用金具
FITTING NAIL FOR PREVENTION OF PEELING OF P.C.B. PATTERN.

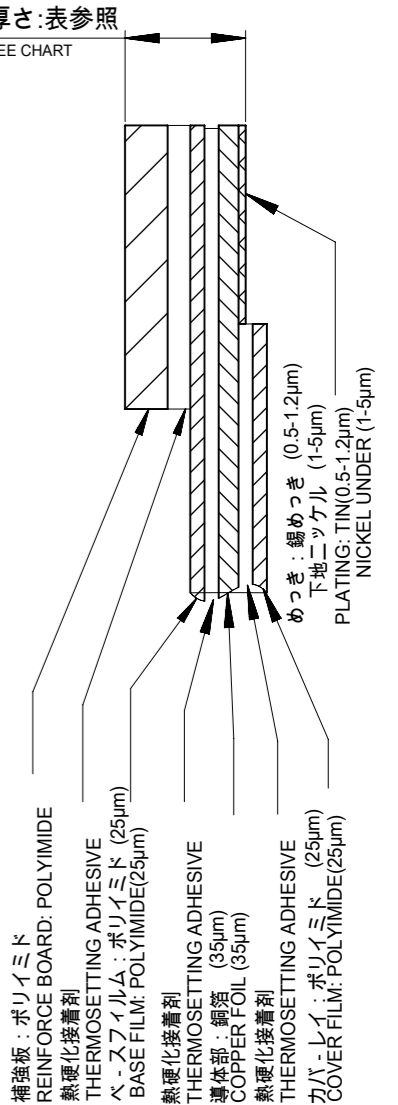
8. ELV及びRoHS適合品
ELV AND RoHS COMPLIANT



適合FPC推奨寸法
APPLICABLE FPC
RECOMMENDED DIMENSION
(仕上がり厚さ:表参照)
(THICKNESS:SEE CHART)



適合FFC推奨寸法
APPLICABLE FFC
RECOMMENDED DIMENSION
(仕上がり厚さ:表参照)
(THICKNESS:SEE CHART)



FPC構成推奨仕様
STRUCTURE OF FPC

FPC/FFCについて ABOUT FPC/FFC

打ち抜き方向は導体側から補強板側を推奨します。
導体部については軟箔銅35µmまたは50µmを推奨します。
RECOMMENDED PUNCHING DIRECTION: FROM CONDUCTOR SIDE TO STIFFENER SIDE
RECOMMENDED CONDUCTOR SPEC: SOFT COPPER FOIL
RECOMMENDED CONDUCTOR THICKNESS: 35 MICROMETER OR 50 MICROMETER

FPCについて ABOUT FPC

補強フィルム材質はポリイミドを推奨します。ベースフィルムは25µmを推奨します。
接着剤は熱硬化接着剤を推奨します。
尚、接着剤の接点部への付着は導通不良の原因になりますので、染み出しが無い様、お願い致します。
RECOMMENDED STIFFENER MATERIAL: POLYIMIDE
RECOMMENDED BASE FILM THICKNESS: 25 MICROMETER
RECOMMENDED ADHESIVE: THERMOSETTING ADHESIVE
NOTE: PLEASE PUT APPROPRIATE AMOUNT OF ADHESIVE ON ADHEREND BECAUSE THERE IS A POSSIBILITY THAT THE EXTRA ADHESIVE CAUSES THE DEFECT IN ELECTRICAL CONTINUITY.

54548-**23 MODEL No.

| | | | | | |
|-----------------------------------------------------------------------------------------------------------------------------------------------|-------|-----------------------------|--|--------------------------------------------------|--|
| THIS DRAWING CONTAINS INFORMATION THAT IS PROPRIETARY TO MOLEX ELECTRONIC TECHNOLOGIES, LLC AND SHOULD NOT BE USED WITHOUT WRITTEN PERMISSION | | CURRENT REV DESC: | | | |
| DIMENSION UNITS | SCALE | EC NO: 710011 | | | |
| mm | 1:1 | DRWN: NARENC 2022/05/30 | | 0.5 FPC CONN ZIF HSG ASSY FOR SMT RA BTM CONT | |
| GENERAL TOLERANCES (UNLESS SPECIFIED) | | CHK'D: YNAITO 2022/06/10 | | | |
| ANGULAR TOL ± 3.0° | | APPR: SHOSHIKAWA 2022/06/10 | | PRODUCT CUSTOMER DRAWING | |
| 4 PLACES ± | | INITIAL REVISION: | | DOCUMENT NUMBER | |
| 3 PLACES ± | | DRWN: NARENC 2022/05/30 | | 545481000 | |
| 2 PLACES ± | | APPR: SHOSHIKAWA 2022/06/10 | | DOC TYPE | |
| 1 PLACE ± | | MATERIAL NUMBER | | PSD | |
| 0 PLACES ± | | CUSTOMER | | 000 | |
| DRAFT WHERE APPLICABLE MUST REMAIN WITHIN DIMENSIONS | | THIRD ANGLE PROJECTION | | DOC PART | |
| | | DRAWING | | A | |
| | | SERIES | | REVISION | |
| | | A3-SIZE | | 2 OF 2 | |
| | | 54548 | | | |
| | | SEE TABLE | | | |
| | | GENERAL MARKET | | | |
| | | | | | |
| | | | | | |
| | | | | | |

| | |
|----------------------------------------|-------|
| GENERAL TOLERANCES (UNLESS SPECIFIED) | |
| 10 ^{UNDER} | ±0.2 |
| 10 ^{OVER} 30 ^{UNDER} | ±0.25 |
| 30 ^{OVER} | ±0.3 |