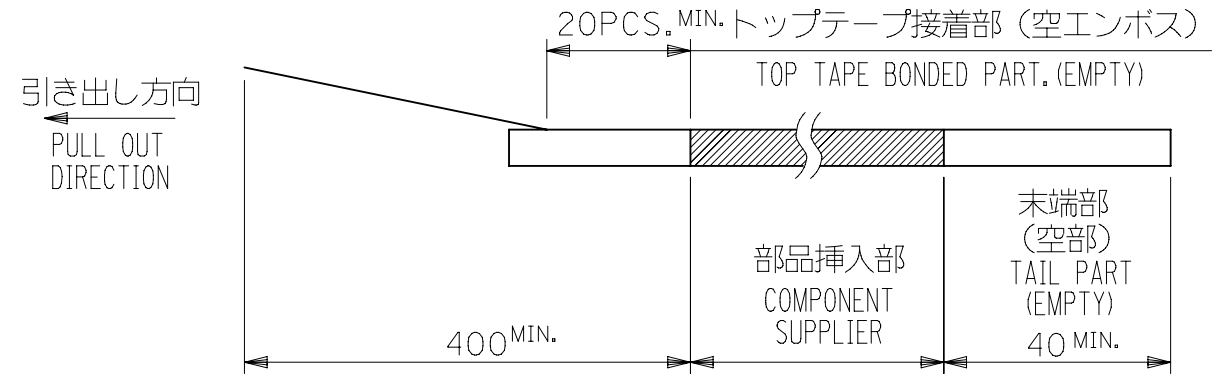


NOTES

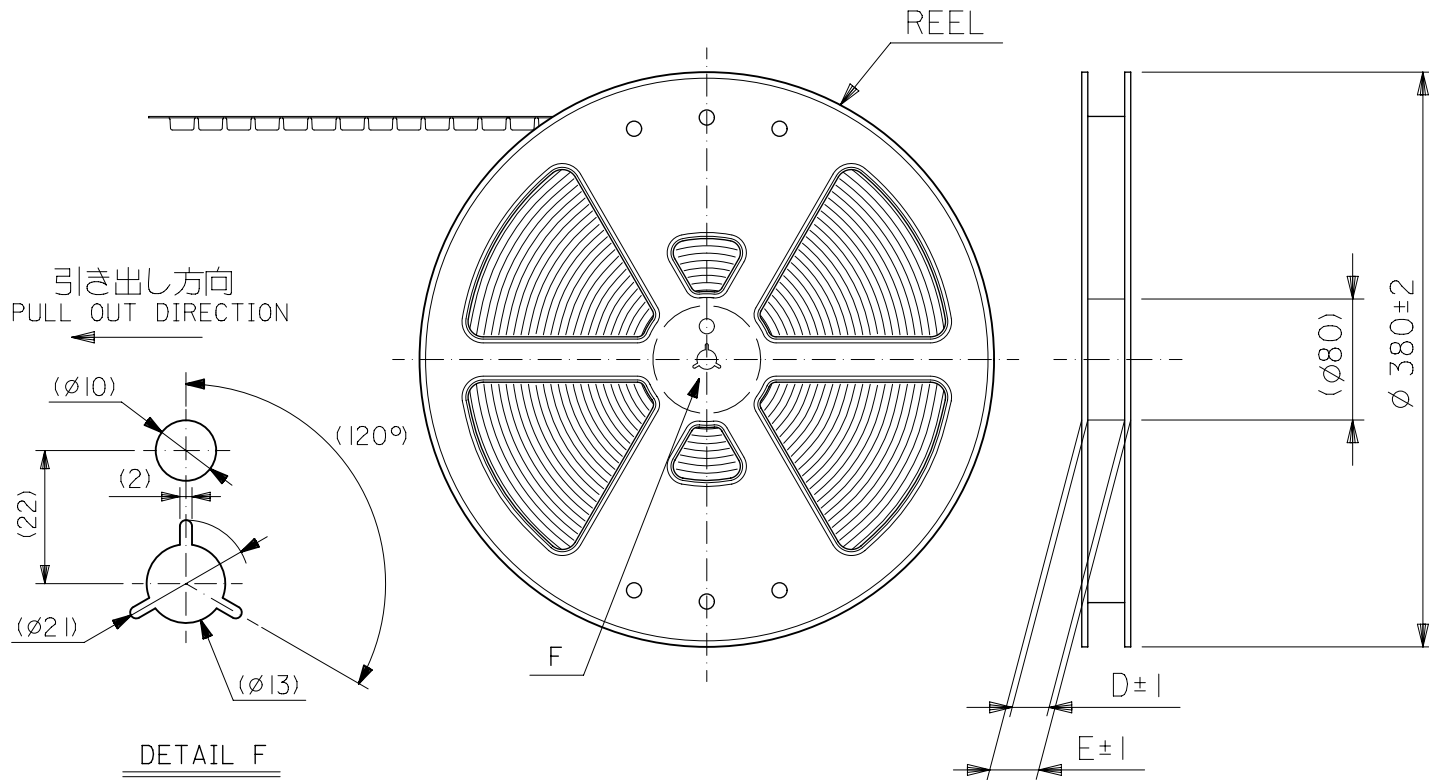
- 製品詳細寸法については図面 545501000/PSD/000 を参照下さい。
RE DETAILED DIMENSION, SEE 545501000/PSD/000
- 梱包数量：3000個/リール
NUMBER OF CONNECTORS : 3000PCS/REEL
- リードテープ長さ LEAD TAPE LENGTH



4. カバーテープの剥離強度については、IEC60286-3に準拠
Cover tape peel force is defined by IEC60286-3.

5. 材料 (MATERIAL)
 キャリアテープ (CARRIER TAPE) : ポリプロピレン (POLYPROPYLENE)
 トップテープ (TOPTAPE) : PET, PE, PEF
 リール (REEL) : ポリスチレン (PS) <リサイクル材を含む>
 POLYSTYRENE (PS) <RECYCLE MATERIAL CONTAINED>

6. ELV及びRoHS適合品
ELV AND RoHS COMPLIANT

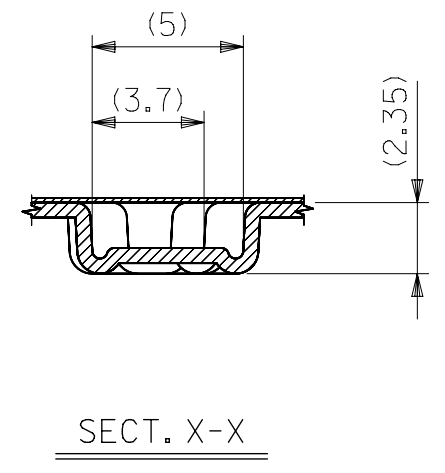
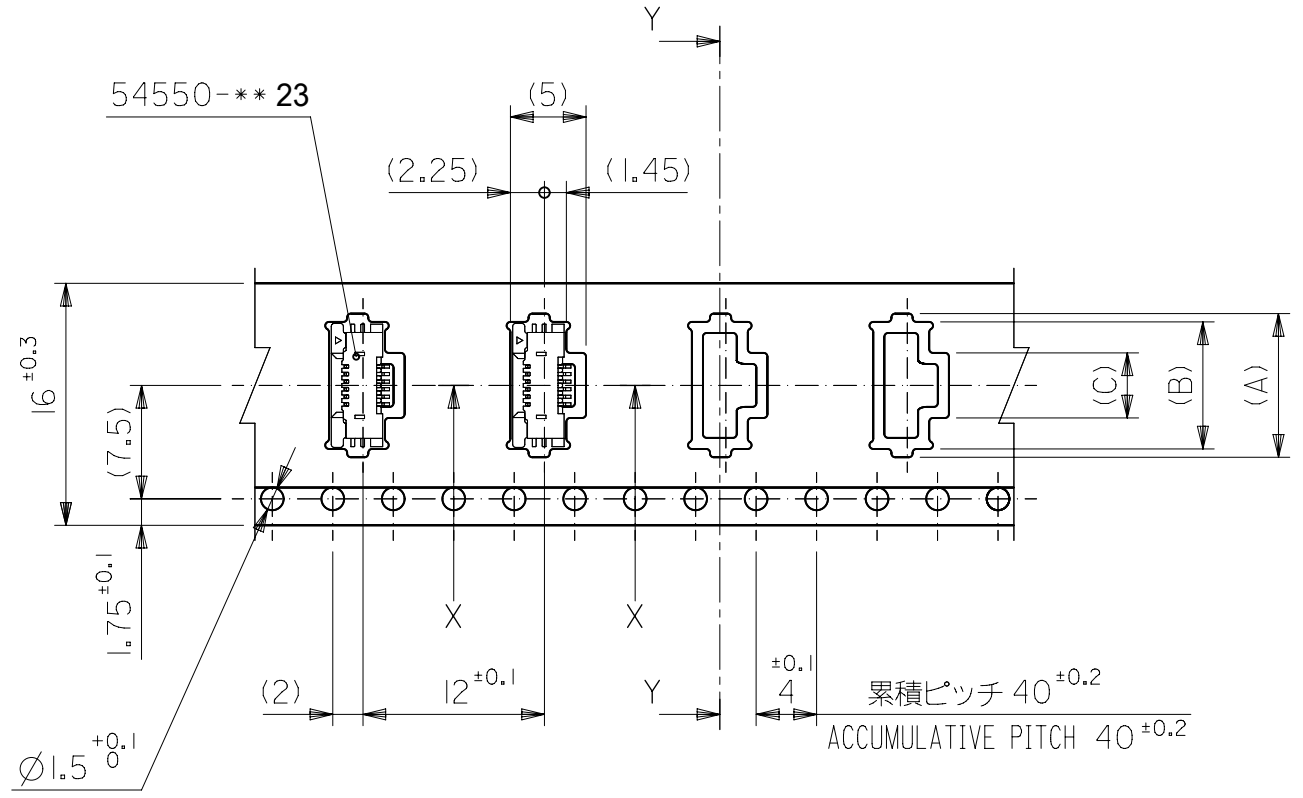
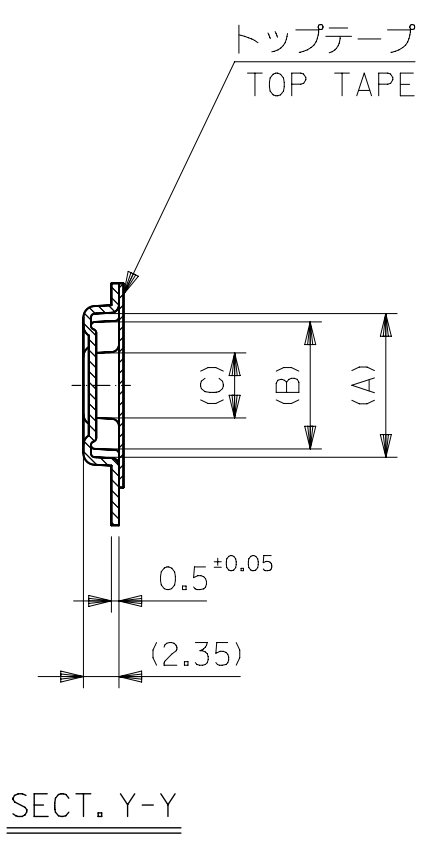


54550-***34 MODEL No.

THIS DRAWING CONTAINS INFORMATION THAT IS PROPRIETARY TO MOLEX ELECTRONIC TECHNOLOGIES, LLC AND SHOULD NOT BE USED WITHOUT WRITTEN PERMISSION		CURRENT REV DESC:		molex	
DIMENSION UNITS	SCALE				
mm	NTS			EMBOSS TAPE PACKAGED FOR 0.5MM FPC CONN ZIF R/A HOUSING ASSY	
GENERAL TOLERANCES (UNLESS SPECIFIED)				PRODUCT CUSTOMER DRAWING	
ANGULAR TOL ± 3.0°				DOCUMENT NUMBER	
4 PLACES ±		EC NO: 710011		545500000	
3 PLACES ±		DRWN: NARENC 2022/05/30		DOC TYPE	
2 PLACES ±		CHK'D: YNAITO 2022/06/10		PSD	
1 PLACE ±		APPR: SHOSHIKAWA 2022/06/10		DOC PART	
0 PLACES ±		INITIAL REVISION:		000	
		DRWN: NARENC 2022/05/30		A	
		APPR: SHOSHIKAWA 2022/06/10		REVISION	
DRAFT WHERE APPLICABLE MUST REMAIN WITHIN DIMENSIONS		THIRD ANGLE PROJECTION	DRAWING	SERIES	MATERIAL NUMBER
			A3-SIZE	54550	SEE TABLE
					CUSTOMER
					GENERAL MARKET
					SHEET NUMBER
					1 OF 4

GENERAL TOLERANCES (UNLESS SPECIFIED)	
10 ^{UNDER}	±0.2
10 ^{OVER} 30 ^{UNDER}	±0.25
30 ^{OVER}	±0.3

引き出し方向
PULL OUT DIRECTION

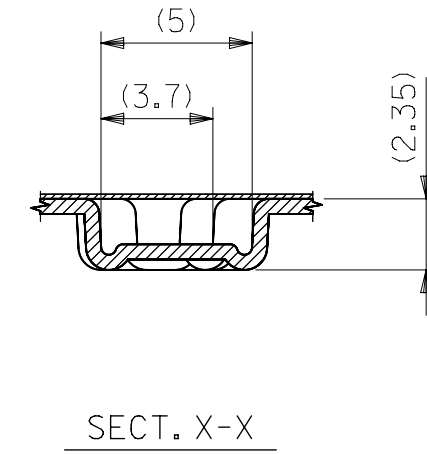
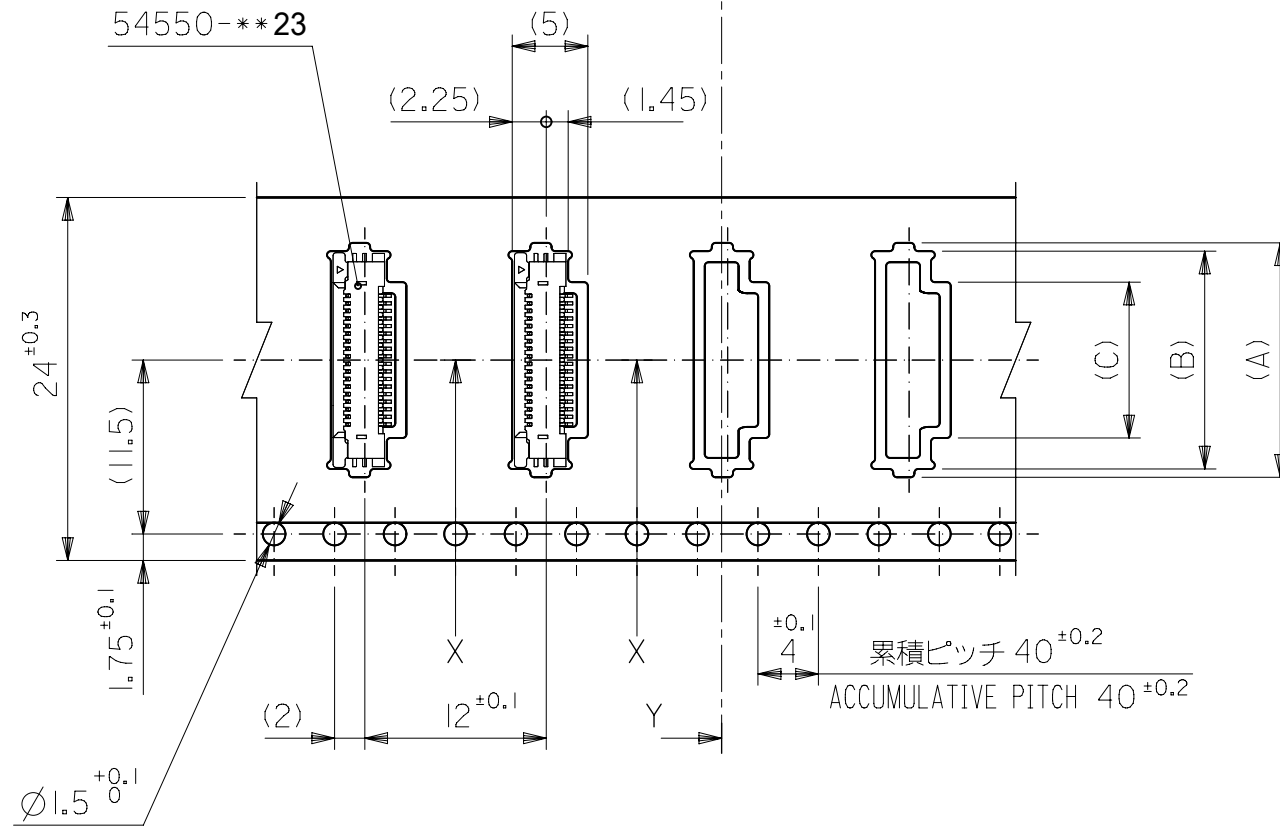
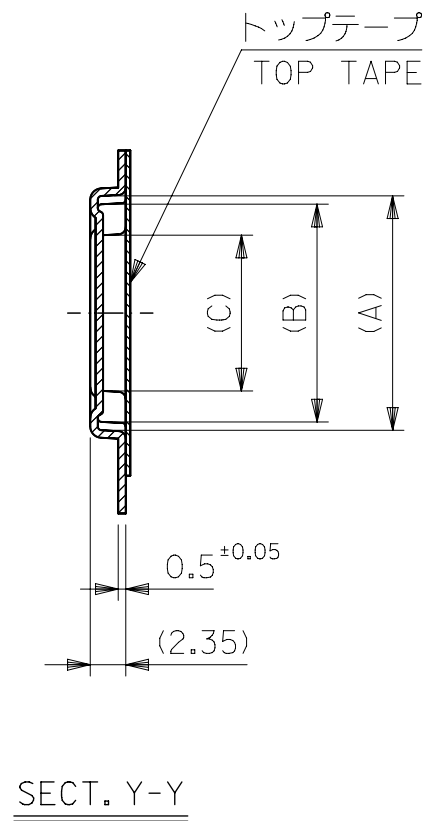


16mm幅キャリアテープ
16mm WIDTH CARRIER TAPE

16	21.4	17.4	4.3	8.4	9.5	54550-0634	6
			3.8	7.9	9	54550-0534	5
キャリアテープ幅 CARRIER TAPE WIDTH	E	D	(C)	(B)	(A)	製品番号 MATERIAL No.	極数 Ck+
						54550-**-34	MODEL No.

THIS DRAWING CONTAINS INFORMATION THAT IS PROPRIETARY TO MOLEX ELECTRONIC TECHNOLOGIES, LLC AND SHOULD NOT BE USED WITHOUT WRITTEN PERMISSION DIMENSION UNITS: mm SCALE: NTS CURRENT REV DESC:		molex EMBOSS TAPE PACKAGED FOR 0.5MM FPC CONN ZIF R/A HOUSING ASSY			
GENERAL TOLERANCES (UNLESS SPECIFIED) ANGULAR TOL ± 3.0°				EC NO: 710011 DRWN: NARENC 2022/05/30 CHK'D: YNAITO 2022/06/10 APPR: SHOSHIKAWA 2022/06/10	
GENERAL TOLERANCES (UNLESS SPECIFIED) 4 PLACES ± 3 PLACES ± 2 PLACES ± 1 PLACE ± 0 PLACES ±		INITIAL REVISION: DRWN: NARENC 2022/05/30 APPR: SHOSHIKAWA 2022/06/10		PRODUCT CUSTOMER DRAWING DOCUMENT NUMBER: 545500000 DOC TYPE: PSD DOC PART: 000 REVISION: A	
10 ^{UNDER} ±0.2 10 ^{OVER} 30 ^{UNDER} ±0.25 30 ^{OVER} ±0.3		DRAFT WHERE APPLICABLE MUST REMAIN WITHIN DIMENSIONS THIRD ANGLE PROJECTION		DRAWING: A3-SIZE SERIES: 54550 MATERIAL NUMBER: SEE TABLE CUSTOMER: GENERAL MARKET SHEET NUMBER: 2 OF 4	

引き出し方向
PULL OUT DIRECTION



24mm幅キャリアテープ
24mm WIDTH CARRIER TAPE

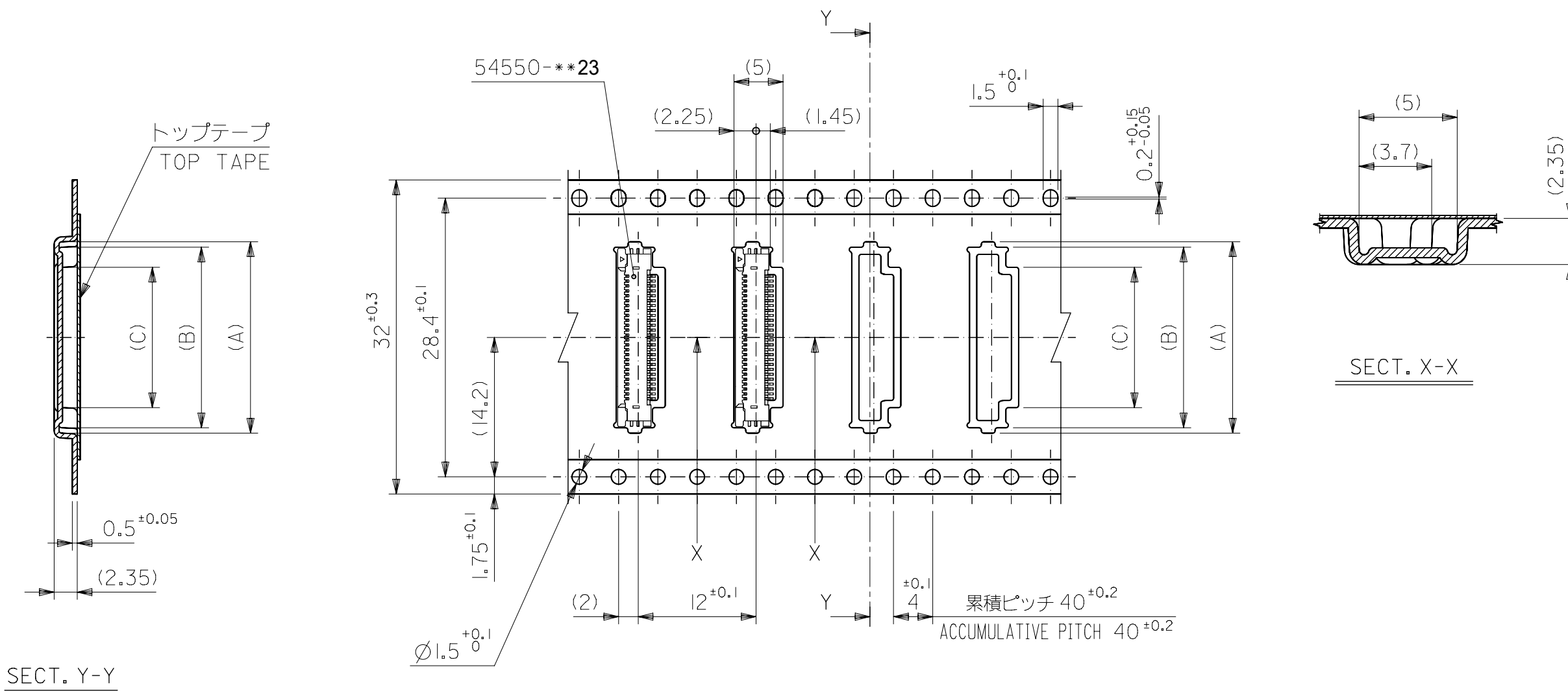
24	29.4	25.4	11.3	15.4	16.5	54550-20 34	20
			10.3	14.4	15.5	54550-18 34	18
			8.8	12.9	14	54550-15 34	15
			7.3	11.4	12.5	54550-12 34	12
			6.3	10.4	11.5	54550-10 34	10
			5.8	9.9	11	54550-09 34	9
			5.3	9.4	10.5	54550-08 34	8
キャリアテープ幅 CARRIER TAPE WIDTH	E	D	(C)	(B)	(A)	製品番号 MATERIAL No.	極数 Ck+
						54550-*** 34	MODEL No.

THIS DRAWING CONTAINS INFORMATION THAT IS PROPRIETARY TO MOLEX ELECTRONIC TECHNOLOGIES, LLC AND SHOULD NOT BE USED WITHOUT WRITTEN PERMISSION

DIMENSION UNITS mm	SCALE NTS	CURRENT REV DESC:		molex		
GENERAL TOLERANCES (UNLESS SPECIFIED)		EC NO: 710011				
ANGULAR TOL ± 3.0°		DRWN: NARENC 2022/05/30		PRODUCT CUSTOMER DRAWING		
4 PLACES ±		CHK'D: YNAITO 2022/06/10		DOCUMENT NUMBER		
3 PLACES ±		APPR: SHOSHIKAWA 2022/06/10		545500000		
2 PLACES ±		INITIAL REVISION:		DOC TYPE		
1 PLACE ±		DRWN: NARENC 2022/05/30		PSD		
0 PLACES ±		APPR: SHOSHIKAWA 2022/06/10		DOC PART		
DRAFT WHERE APPLICABLE MUST REMAIN WITHIN DIMENSIONS		THIRD ANGLE PROJECTION		REVISION		
		DRAWING		A		
		SERIES		SHEET NUMBER		
		54550		3 OF 4		
		MATERIAL NUMBER		CUSTOMER		
		SEE TABLE		GENERAL MARKET		

GENERAL TOLERANCES (UNLESS SPECIFIED)	
10 ^{UNDER}	±0.2
10 ^{OVER} 30 ^{UNDER}	±0.25
30 ^{OVER}	±0.3

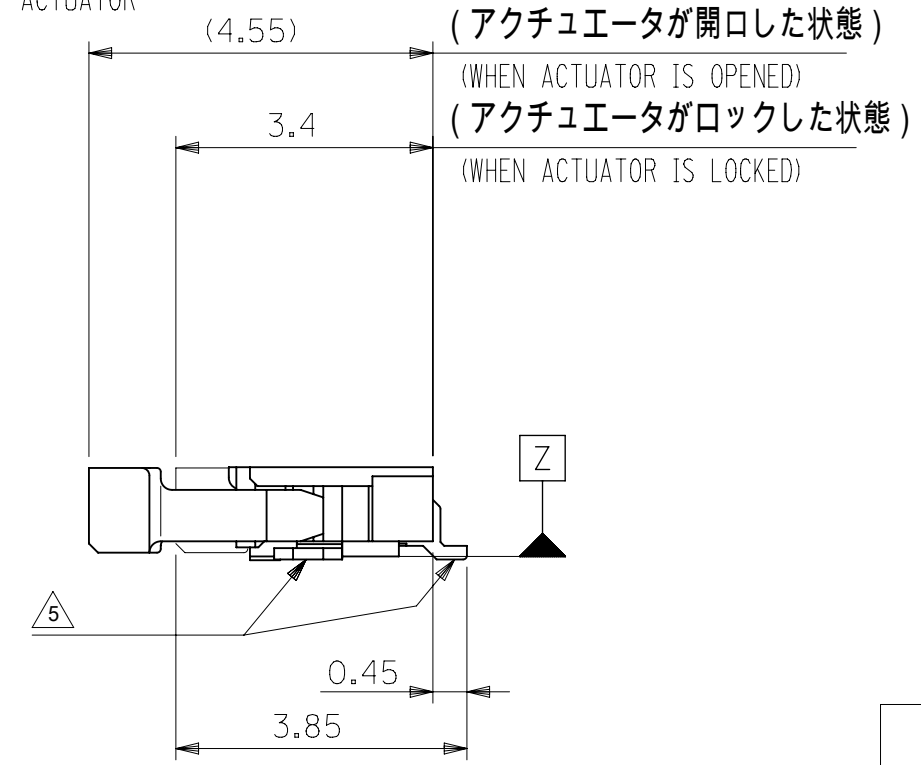
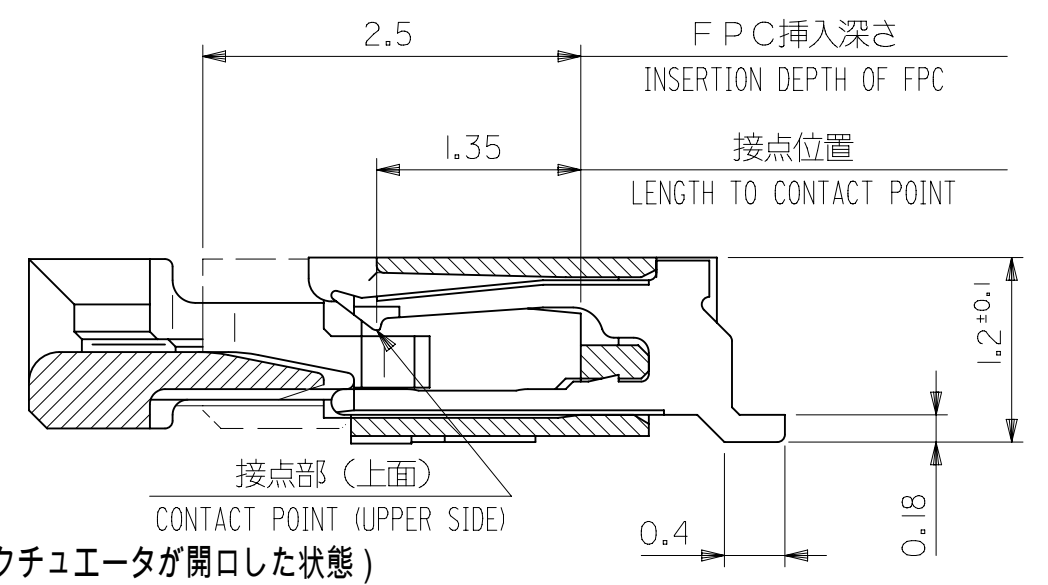
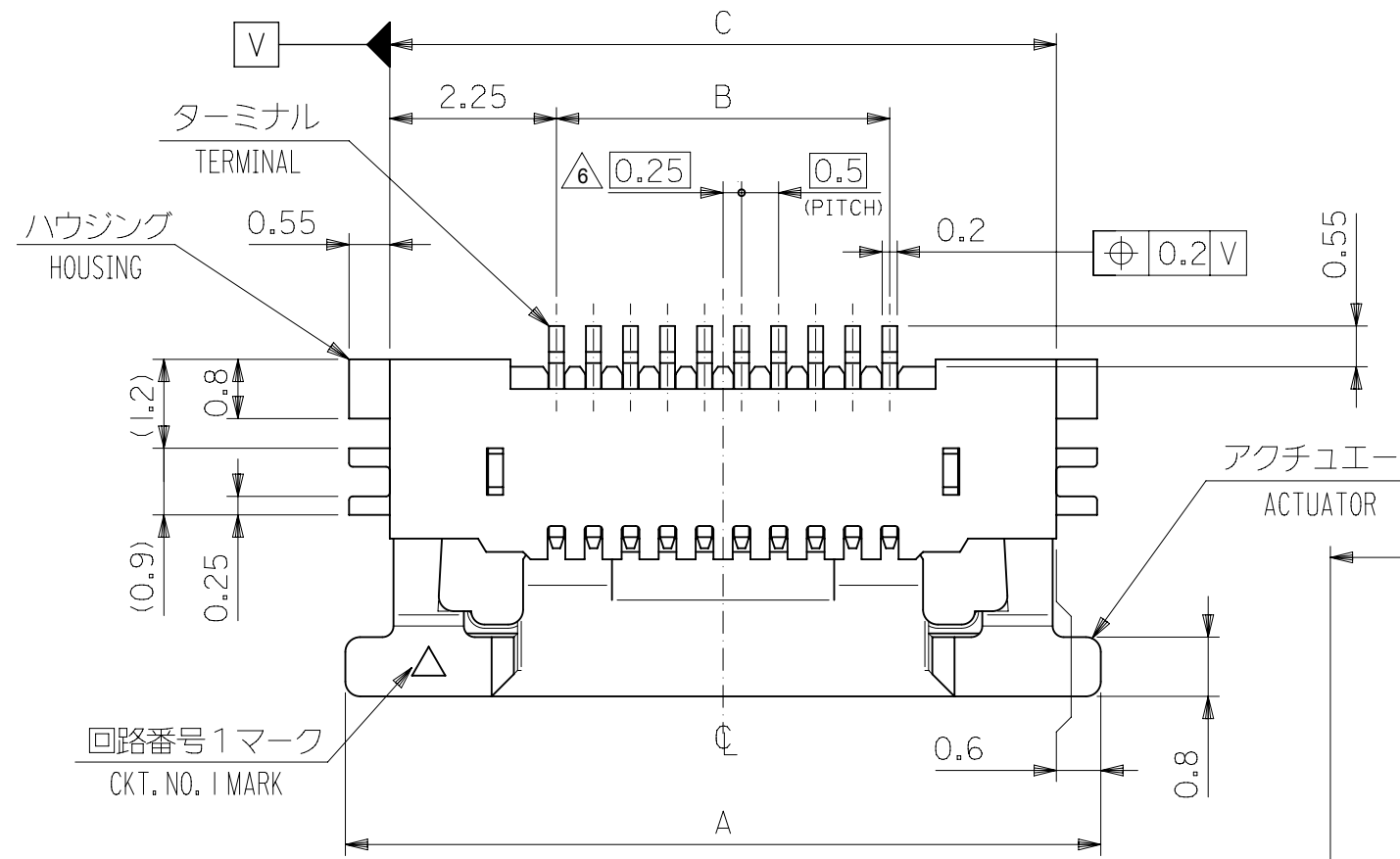
引き出し方向
PULL OUT DIRECTION



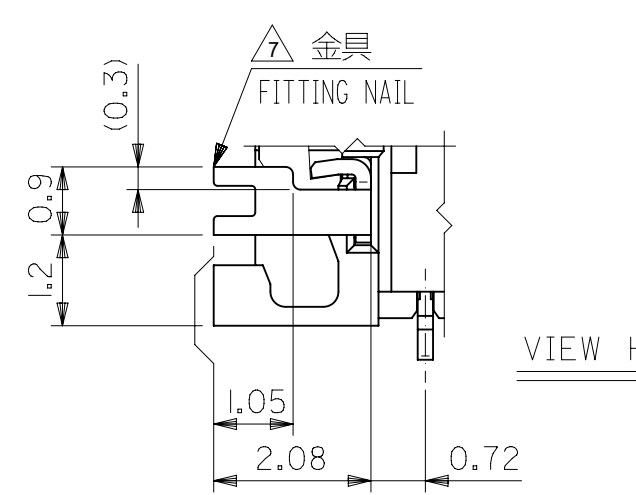
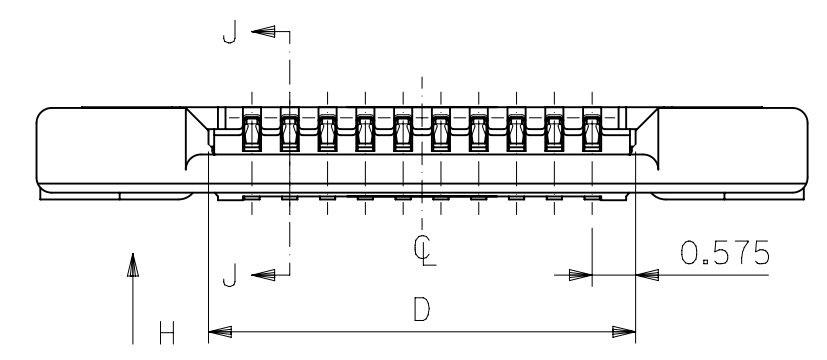
32mm幅キャリアテープ
32mm WIDTH CARRIER TAPE

32	37.4	33.4	13.3	17.4	18.5	54550-2434	24
キャリアテープ幅 CARRIER TAPE WIDTH	E	D	(C)	(B)	(A)	製品番号 MATERIAL No.	極数 Ck+
						54550-***34	MODEL No.

THIS DRAWING CONTAINS INFORMATION THAT IS PROPRIETARY TO MOLEX ELECTRONIC TECHNOLOGIES, LLC AND SHOULD NOT BE USED WITHOUT WRITTEN PERMISSION DIMENSION UNITS: mm SCALE: NTS GENERAL TOLERANCES (UNLESS SPECIFIED): ANGULAR TOL ± 3.0° 4 PLACES ± 3 PLACES ± 2 PLACES ± 1 PLACE ± 0 PLACES ± DRAFT WHERE APPLICABLE MUST REMAIN WITHIN DIMENSIONS		CURRENT REV DESC: EC NO: 710011 DRWN: NARENC 2022/05/30 CHK'D: YNAITO 2022/06/10 APPR: SHOSHIKAWA 2022/06/10 INITIAL REVISION: DRWN: NARENC 2022/05/30 APPR: SHOSHIKAWA 2022/06/10	molex EMBOSS TAPE PACKAGED FOR 0.5MM FPC CONN ZIF R/A HOUSING ASSY PRODUCT CUSTOMER DRAWING DOCUMENT NUMBER: 545500000 DOC TYPE: PSD DOC PART: 000 REVISION: A SHEET NUMBER: 4 OF 4
GENERAL TOLERANCES (UNLESS SPECIFIED) 10 ^{UNDER} ±0.2 10 ^{OVER} 30 ^{UNDER} ±0.25 30 ^{OVER} ±0.3	THIRD ANGLE PROJECTION DRAWING: A3-SIZE SERIES: 54550 MATERIAL NUMBER: SEE TABLE CUSTOMER: GENERAL MARKET		



SECT. J-J
SCALE 20:1



0.3 ± 0.03	12.65	16	11.5	17.2	54550-2434	24
	10.65	14	9.5	15.2	54550-2034	20
	9.65	13	8.5	14.2	54550-1834	18
	8.15	11.5	7	12.7	54550-1534	15
	6.65	10	5.5	11.2	54550-1234	12
	5.65	9	4.5	10.2	54550-1034	10
	5.15	8.5	4	9.7	54550-0934	9
	4.65	8	3.5	9.2	54550-0834	8
	3.65	7	2.5	8.2	54550-0634	6
3.15	6.5	2	7.7	54550-0534	5	
THICKNESS OF FPC	D	C	B	A	EMBOSSED TAPE	極数
					ORDER No. オーダー番号	CK+

CONNECTOR SERIES NO. : 54550-**23

THIS DRAWING CONTAINS INFORMATION THAT IS PROPRIETARY TO MOLEX ELECTRONIC TECHNOLOGIES, LLC AND SHOULD NOT BE USED WITHOUT WRITTEN PERMISSION

CURRENT REV DESC:

molex

0.5MM FPC CONN ZIF R/A HOUSING ASSY (UPPER CONTACT)

PRODUCT CUSTOMER DRAWING

EC NO: 710011
DRWN: NARENC 2022/05/30
CHK'D: YNAITO 2022/06/10
APPR: SHOSHIKAWA 2022/06/10

INITIAL REVISION:
DRWN: NARENC 2022/05/30
APPR: SHOSHIKAWA 2022/06/10

DOCUMENT NUMBER: 545501000
DOC TYPE: PSD
DOC PART: 000
REVISION: A

MATERIAL NUMBER: SEE TABLE
CUSTOMER: GENERAL MARKET
SHEET NUMBER: 1 OF 2

DIMENSION UNITS: mm SCALE: NTS

GENERAL TOLERANCES (UNLESS SPECIFIED):
ANGULAR TOL ± 3.0°

4 PLACES ±
3 PLACES ±
2 PLACES ±
1 PLACE ±
0 PLACES ±

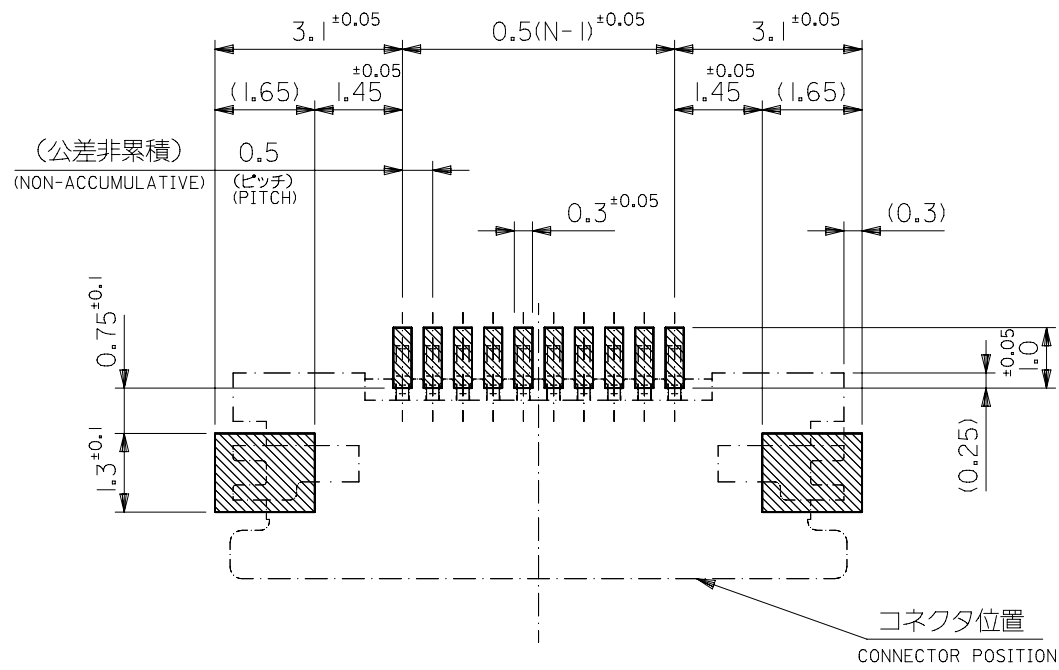
DRAFT WHERE APPLICABLE MUST REMAIN WITHIN DIMENSIONS

THIRD ANGLE PROJECTION

DRAWING: A3-SIZE
SERIES: 54550

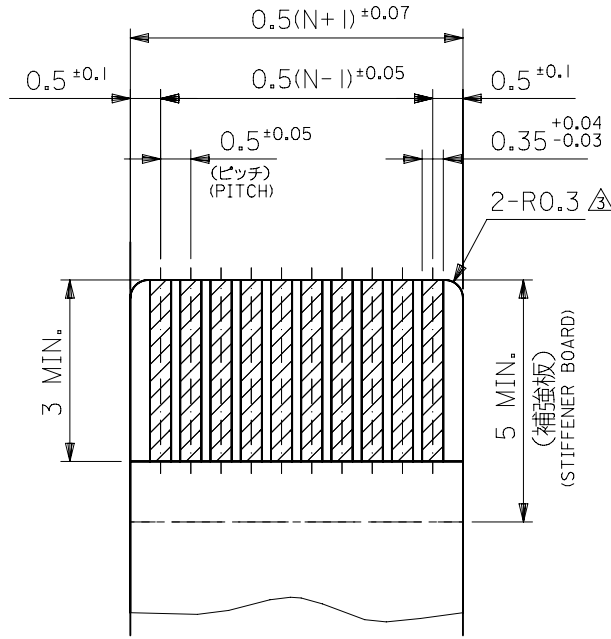
GENERAL TOLERANCES (UNLESS SPECIFIED)

10 ^{UNDER}	±0.2
10 ^{OVER} 30 ^{UNDER}	±0.25
30 ^{OVER}	±0.3

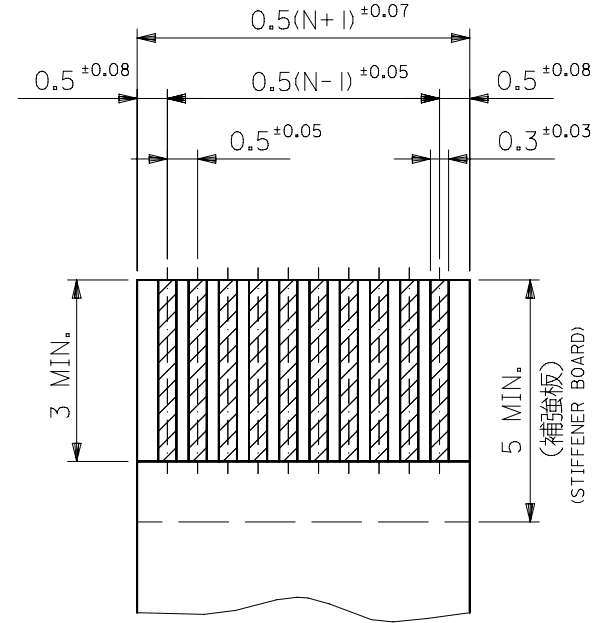


推奨基板レイアウト
RECOMMENDED P.C.BOARD
PATTERN DIMENSION
(マウント面)
(MOUNTING SIDE)

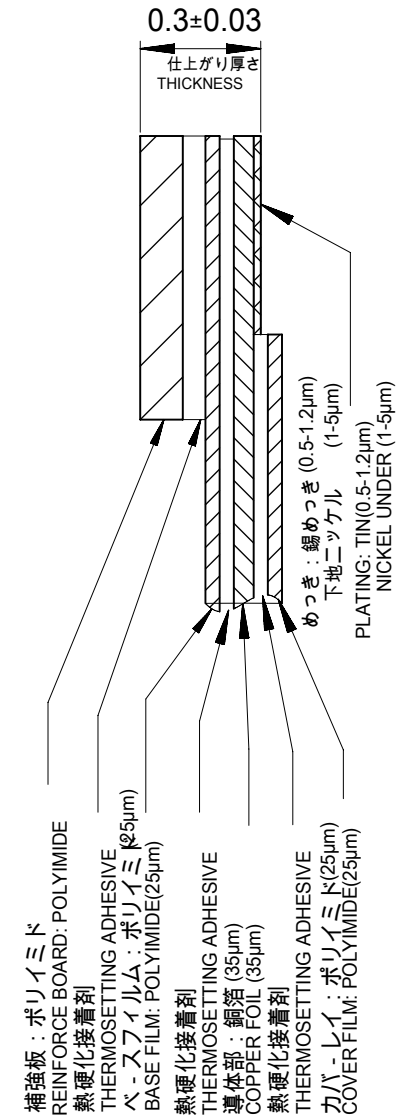
マスク厚 : 100μm
マスク開口率 : 100%
SCREEN THICKNESS : 100μm
SCREEN OPEN RATIO : 100%



適合FPC推奨寸法
APPLICABLE FPC
RECOMMENDED DIMENSION
(仕上がり厚さ:表参照)
(THICKNESS:SEE CHART)



適合FFC推奨寸法
APPLICABLE FFC
RECOMMENDED DIMENSION
(仕上がり厚さ:表参照)
(THICKNESS:SEE CHART)



FPC構成推奨仕様
STRUCTURE OF FPC

注記 NOTES

1. 使用材料 MATERIAL

- ハウジング : 液晶がマ- (LCP)、ナチュラル(白色)、ガラス充填、UL94V-0
HOUSING LIQUID QLYSTAL POLYMER, NATURAL(WHITE), GLASS FILLED, UL-94V0
アクチュエータ : ポリフェニレンサルファイド(PPS)、ナチュラル(茶色)ガラス充填、UL94V-0
ACTUATOR POLYPHENYRENE SULFIDE, NATURAL(BROWN), GLASS FILLED, UL-94V0
ターミナル : リン青銅 (t=0.2)
TERMINAL PHOSPHOR BRONZE (t=0.2)
金具 : リン青銅 (t=0.2)、FITTING NAIL PHOSPHOR BRONZE (t=0.2)

2. めっき仕様 PLATING
ターミナル TERMINAL
錫銀ビスマスメッキ(1.0μm以上)
下地:ニッケルメッキ(1.0μm以上)
TIN SILVER BISMUTH PLATING (1.0 MICROMETER MINIMUM)
UNDER PLATE : NICKEL PLATING (1.0 MICROMETER MINIMUM)
金具 FITTING NAIL
錫メッキ(1.0μm以上)
下地:ニッケルメッキ(1.0μm以上)
TIN PLATING
TIN PLATING (1.0 MICROMETER MINIMUM)
UNDER PLATE : NICKEL PLATING (1.0 MICROMETER MINIMUM)

⚠ R0.3はFPCの導体部にかからないこと
R0.3 MUST NOT BE OVERLAPED TO PATTERN OF FPC.

4. エンボステーブ梱包時は、アクチュエータがロックした状態とする。
IN THE PACKAGE,ACTUATOR OF PART NO.54550-***23 SHOULD BE LOCKED.

⚠ ソルダータール半田付け面のズレ量、及び金具半田付け面のズレ量は、基準面 Z に対し上方向 0MAX、下方向 0.15MAX.とし
相互のバラツキ量は0.1MAX.とする。
MISALIGNMENT OF SOLDER TAILS AND FITTING NAILS FROM Z
UPPER DIRECTION:0 MAX. , LOWER DIRECTION:0.15 MAX.
OFFSET BETWEEN UPPER AND LOWER 0.1MAX.

⚠ 偶数極に適用。
APPLY FOR EVEN CIRCUIT.
⚠ パターンはくり止め用金具
FITTING NAIL FOR PREVENTION OF PEELING OF P.C.B. PATTERN.

8. ELV及びRoHS適合品
ELV AND RoHS COMPLIANT

FPC/FFCについて ABOUT FPC/FFC

打ち抜き方向は導体側から補強板側を推奨します。
導体部については軟箔銅35μmまたは50μmを推奨します。
RECOMMENDED PUNCHING DIRECTION: FROM CONDUCTOR SIDE TO STIFFENER SIDE
RECOMMENDED CONDUCTOR SPEC: SOFT COPPER FOIL
RECOMMENDED CONDUCTOR THICKNESS: 35 MICROMETER OR 50 MICROMETER

FPCについて ABOUT FPC

補強フィルム材質はポリイミドを推奨します。ベースフィルムは25μmを推奨します。
接着剤は熱硬化接着剤を推奨します。
尚、接着剤の接点部への付着は導通不良の原因になりますので、染み出しが無い様、お願い致します。
RECOMMENDED STIFFENER MATERIAL: POLYIMIDE
RECOMMENDED BASE FILM THICKNESS: 25 MICROMETER
RECOMMENDED ADHESIVE: THERMOSETTING ADHESIVE
NOTE: PLEASE PUT APPROPRIATE AMOUNT OF ADHESIVE ON ADHEREND BECAUSE THERE IS A POSSIBILITY THAT THE EXTRA ADHESIVE CAUSES THE DEFECT IN ELECTRICAL CONTINUITY.

54550-***23 MODEL No.

THIS DRAWING CONTAINS INFORMATION THAT IS PROPRIETARY TO MOLEX ELECTRONIC TECHNOLOGIES, LLC AND SHOULD NOT BE USED WITHOUT WRITTEN PERMISSION		CURRENT REV DESC:		molex	
DIMENSION UNITS	SCALE				
mm	NTS			0.5MM FPC CONN ZIF R/A HOUSING ASSY (UPPER CONTACT)	
GENERAL TOLERANCES (UNLESS SPECIFIED)				PRODUCT CUSTOMER DRAWING	
ANGULAR TOL ± 3.0°				DOCUMENT NUMBER	
4 PLACES ±		EC NO: 710011		545501000	
3 PLACES ±		DRWN: NARENC 2022/05/30		DOC TYPE	
2 PLACES ±		CHK'D: YNAITO 2022/06/10		PSD	
1 PLACE ±		APPR: SHOSHIKAWA 2022/06/10		000	
0 PLACES ±		INITIAL REVISION:		A	
DRAFT WHERE APPLICABLE MUST REMAIN WITHIN DIMENSIONS		DRWN: NARENC 2022/05/30		SHEET NUMBER	
THIRD ANGLE PROJECTION		APPR: SHOSHIKAWA 2022/06/10		2 OF 2	
DRAWING		SERIES		MATERIAL NUMBER	
A3-SIZE		54550		SEE TABLE	
CUSTOMER		GENERAL MARKET			

GENERAL TOLERANCES (UNLESS SPECIFIED)	
10 ^{UNDER}	±0.2
10 ^{OVER} 30 ^{UNDER}	±0.25
30 ^{OVER}	±0.3