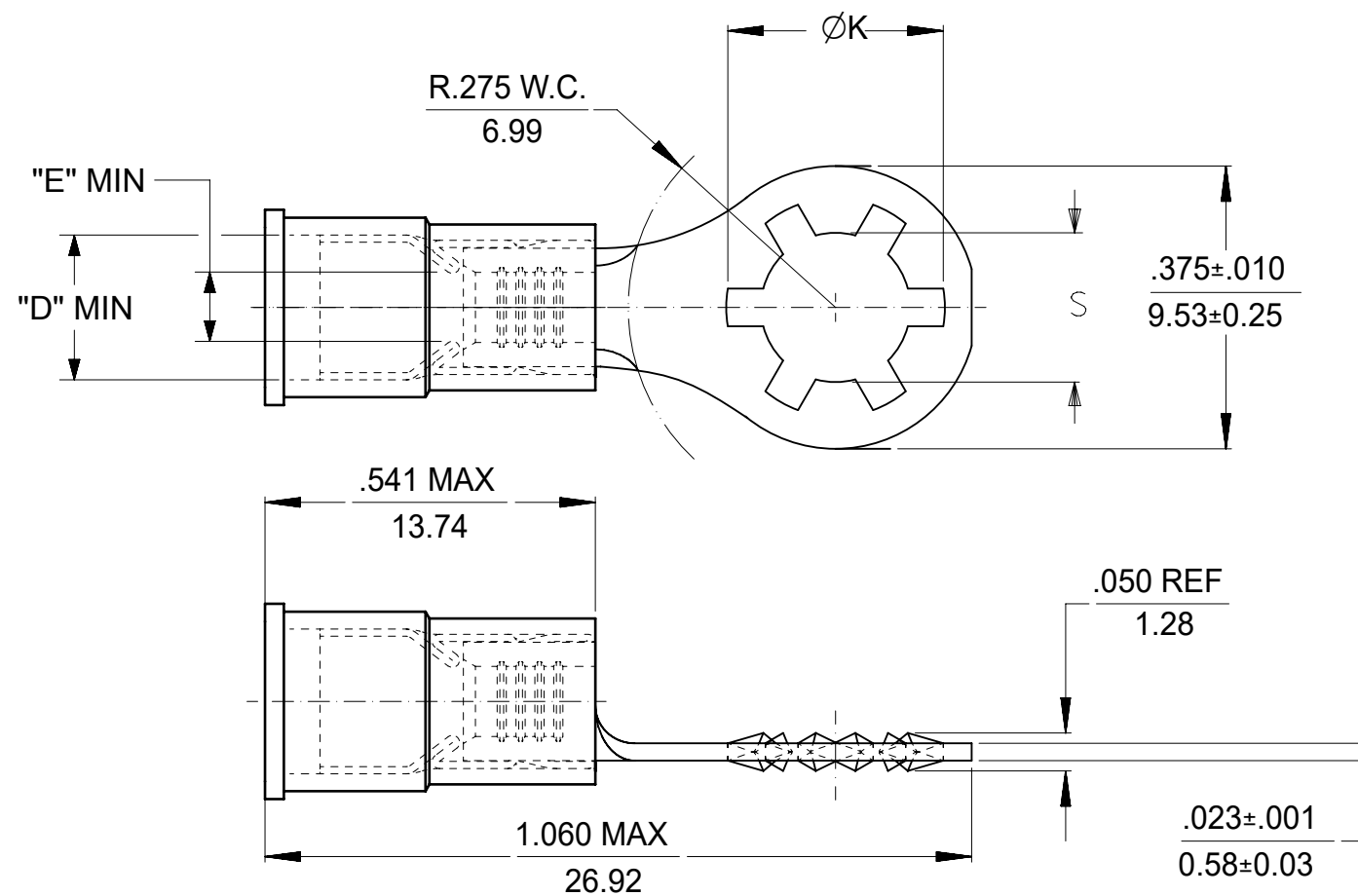


MATERIAL NO.	ENG NO.	HOUSING COLOR WIRE AWG	TERMINAL MAT'L	S ±.007/.178	K REF	"D" MIN	"E" MIN
190760001	SRA-529-06	RED	BRASS	.146/3.71	.236/5.99	.140 (3.56)	.054 (1.37)
190760003	SRA-529-08	22-18 AWG		.173/4.40	.263/6.68		
190760005	SRA-529-10	(0.38-0.96MM <sup>2</sup> )		.198/5.03	.288/7.32		
190760013	SRB-529-06	BLUE		.146/3.71	.236/5.99	.170 (4.32)	.084 (2.13)
190760015	SRB-529-08	16-14 AWG		.173/4.40	.263/6.68		
190760017	SRB-529-10	(1.23-1.94MM <sup>2</sup> )		.198/5.03	.288/7.32		
190760007	SRA-S-529-06	RED	STEEL	.146/3.71	.236/5.99	.140 (3.56)	.054 (1.37)
190760009	SRA-S-529-08	22-18 AWG		.173/4.40	.263/6.68		
190760011	SRA-S-529-10	(0.38-0.96MM <sup>2</sup> )		.198/5.03	.288/7.32		
190760019	SRB-S-529-06	BLUE		.146/3.71	.236/5.99	.170 (4.32)	.084 (2.13)
190760021	SRB-S-529-08	16-14 AWG		.173/4.40	.263/6.68		
190760023	SRB-S-529-10	(1.23-1.94MM <sup>2</sup> )		.198/5.03	.288/7.32		



**A1**

NOTE(S):

- FINISH:  
TERMINAL: TIN-PLATED (BRASS OR STEEL)  
FERRULE: TIN-PLATED BRASS
- MWID: MAXIMUM WIRE INSULATION DIAMETER.
- ASSEMBLY IS RoHS COMPLIANT.

ORIGINAL DRAWING WAS SD-19076-001

THIS DRAWING CONTAINS INFORMATION THAT IS PROPRIETARY TO MOLEX ELECTRONIC TECHNOLOGIES, LLC AND SHOULD NOT BE USED WITHOUT WRITTEN PERMISSION									
FUNCTIONAL SYMBOLS	DIMENSION UNITS	SCALE	CURRENT REV DESC: WAS DWG: SD-19076-001. UPDATE DWG & RMV BOM.						
	INCH/MM	4:1	<b>molex</b> STAR RING TERMINAL, AVIKRIMP PRODUCT CUSTOMER DRAWING EC NO: 672118 DRWN: DMYRICK 2021/07/30 CHK'D: JMACNEIL 2021/08/02 APPR: JMACNEIL 2021/08/02 INITIAL REVISION: DRWN: APPR:						
GENERAL TOLERANCES (UNLESS SPECIFIED)									
4 PLACES	±								
3 PLACES	±								
DIVISIONAL SYMBOLS	MM	INCH	DOCUMENT NUMBER	DOC TYPE	DOC PART	REVISION	190760001 PSD 000 A1		
2 PLACES	±		MATERIAL NUMBER	CUSTOMER	SEE CHART		SHEET NUMBER	1 OF 1	
1 PLACE	±		DRAFT WHERE APPLICABLE MUST REMAIN WITHIN DIMENSIONS		THIRD ANGLE PROJECTION	DRAWING	SERIES	B-SIZE 19076	
0 PLACES	±								
ANGULAR TOL	±	°							