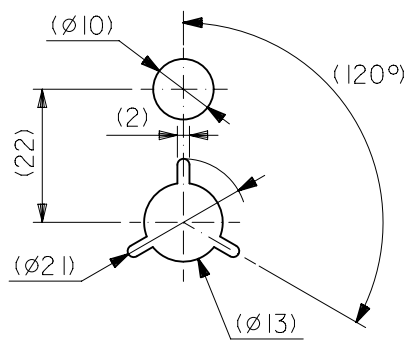


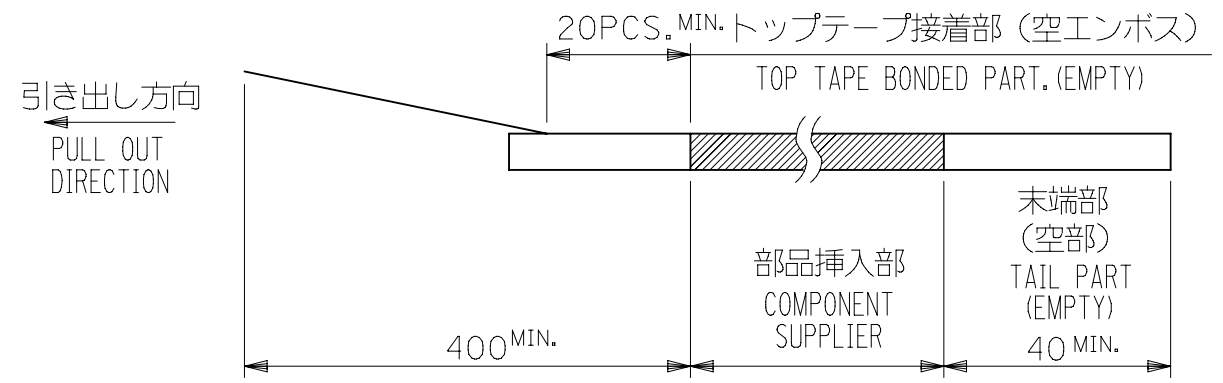
現品票
PART IDENTIFICATION LABEL



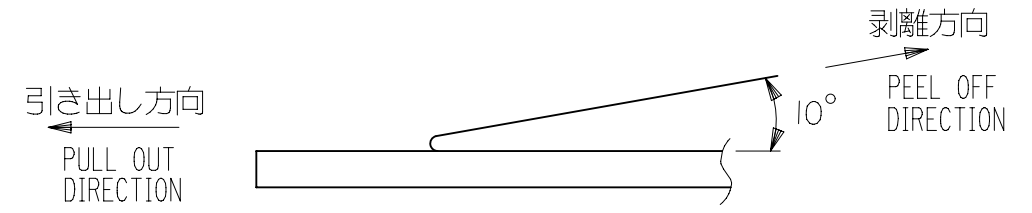
DETAIL F

NOTES

- 製品詳細寸法については図面 545481000/PSD/001 を参照下さい。
RE DETAILED DIMENSION, SEE 545481000/PSD/001
- 梱包数量：3000個/リール
NUMBER OF CONNECTORS : 3000PCS/REEL
- リードテープ長さ LEAD TAPE LENGTH



- トップテープの剥離強度： 0.1N ~ 1.3N(10gf ~ 130gf)
(剥離方向は下図参照)
尚、本規格値は出荷時に適用。(但し、輸送時に剥離が発生しないこと。)
PEELING OFF FORCE OF TOP TAPE : 0.1N ~ 1.3N(10gf ~ 130gf)
(PEELING DIRECTION AS SHOWN IN FOLLOWING FIG.)
THIS REQUIREMENT SHOULD BE APPLIED AT SHIPMENT.
PEEL OFF SHOULD NOT BE ALLOWED , DURING TRANSPORTATION.

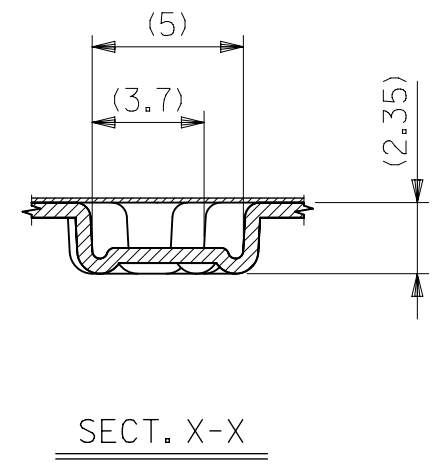
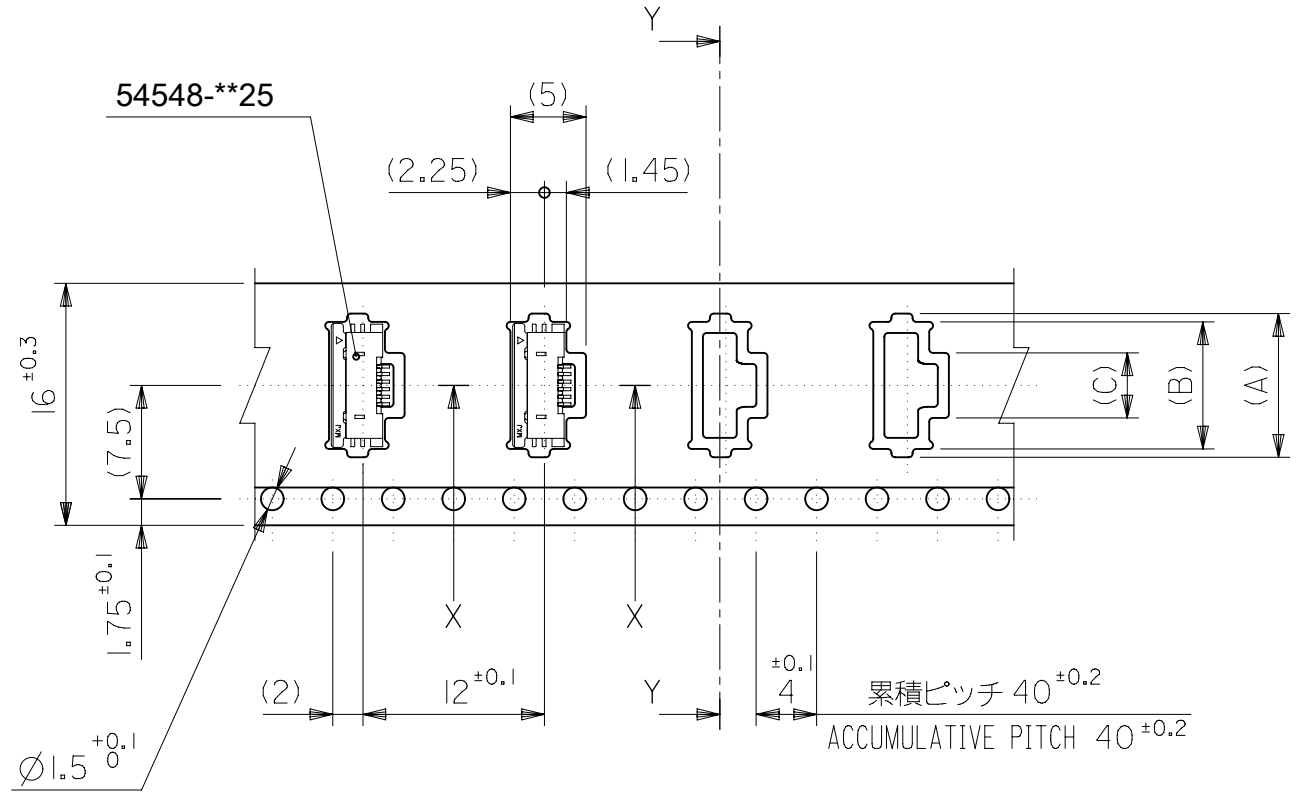
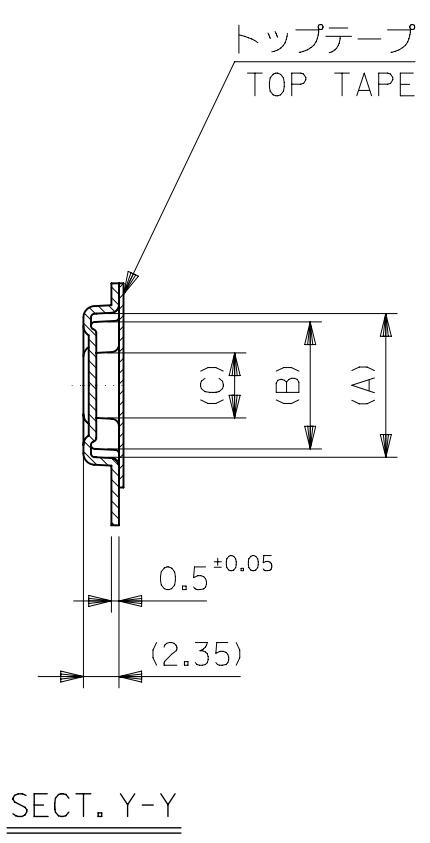


- 材料(MATERIAL)
キャリアテープ(CARRIER TAPE)：ポリプロピレン(POLYPROPYLENE)
トップテープ(TOPTAPE)：PET , PE , PEF
リール(REEL)：ポリスチレン (P S) <リサイクル材を含む>
POLYSTYRENE(PS) <RECYCLE MATERIAL CONTAINED>
- 本製品は 54548 - **91 の鉛フリー (部分金メッキ) 品である。
THIS PRODUCT IS LEAD FREE OF 54548-**91 (SELECTIVE GOLD).

DOCUMENT STATUS	P1	RELEASE DATE	2022/06/10	11:53:05
-----------------	----	--------------	------------	----------

54548-**72		MODEL No.	
THIS DRAWING CONTAINS INFORMATION THAT IS PROPRIETARY TO MOLEX ELECTRONIC TECHNOLOGIES, LLC AND SHOULD NOT BE USED WITHOUT WRITTEN PERMISSION			
DIMENSION UNITS	SCALE	CURRENT REV DESC:	
mm	NTS		
GENERAL TOLERANCES (UNLESS SPECIFIED)			
ANGULAR TOL ± 3.0°			
4 PLACES	±	EC NO: 710011	
3 PLACES	±	DRWN: NARENC	2022/05/30
2 PLACES	±	CHK'D: YNAITO	2022/06/10
1 PLACE	±	APPR: SHOSHIKAWA	2022/06/10
0 PLACES	±	INITIAL REVISION:	
10 ^{UNDER}		DRWN: NARENC	2022/05/30
10 ^{OVER} 30 ^{UNDER}		APPR: SHOSHIKAWA	2022/06/10
30 ^{OVER}		DRAFT WHERE APPLICABLE MUST REMAIN WITHIN DIMENSIONS	
		THIRD ANGLE PROJECTION	DRAWING
			A3-SIZE
		SERIES	54548
		MATERIAL NUMBER	SEE TABLE
		CUSTOMER	GENERAL MARKET
		DOCUMENT NUMBER	545480000
		DOC TYPE	PSD
		DOC PART	001
		REVISION	A
		SHEET NUMBER	1 OF 4

引き出し方向
PULL OUT DIRECTION



16mm幅キャリアテープ
16mm WIDTH CARRIER TAPE

16	21.4	17.4	4.3	8.4	9.5	54548-0672	6
			3.8	7.9	9.0	54548-0572	5
			3.3	7.4	8.5	54548-0472	4
キャリアテープ幅 CARRIER TAPE WIDTH	E	D	(C)	(B)	(A)	製品番号 MATERIAL No.	極数 Ck+

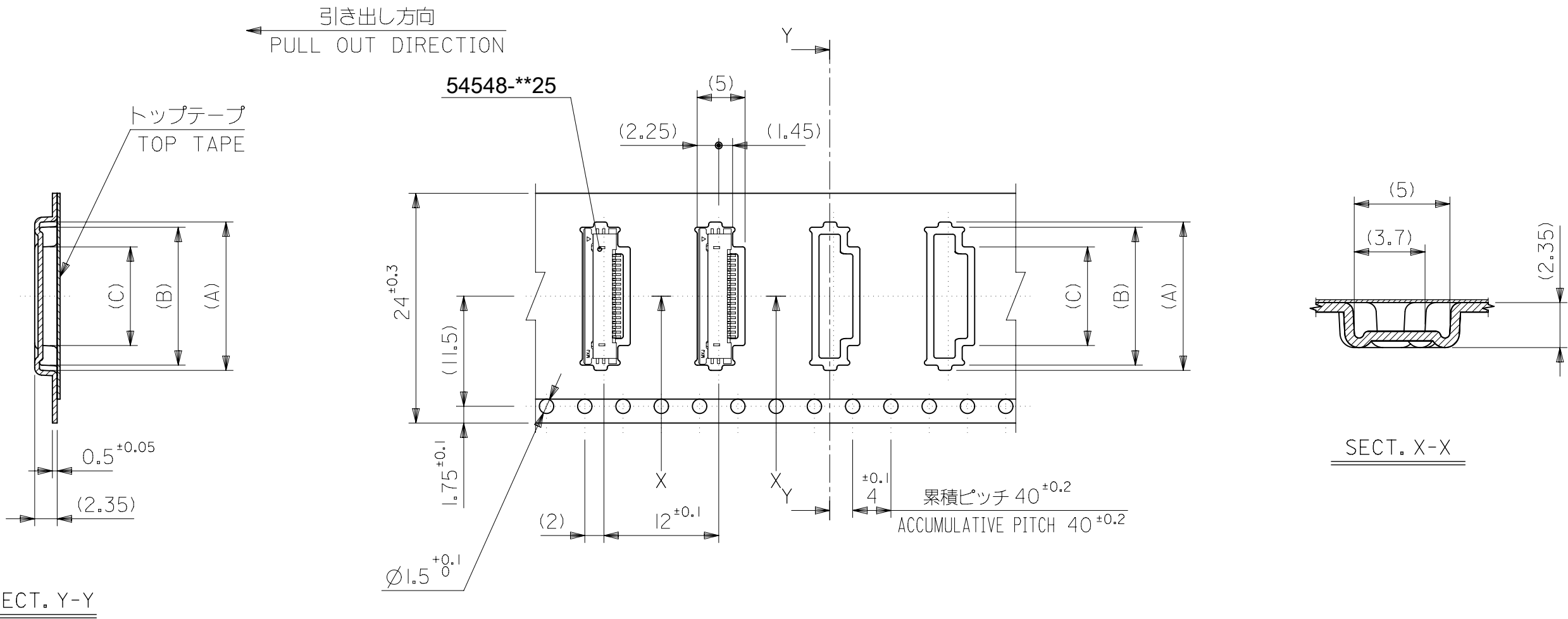
54548-**72 MODEL No.

THIS DRAWING CONTAINS INFORMATION THAT IS PROPRIETARY TO MOLEX ELECTRONIC TECHNOLOGIES, LLC AND SHOULD NOT BE USED WITHOUT WRITTEN PERMISSION

DIMENSION UNITS mm	SCALE NTS	CURRENT REV DESC:		molex		
GENERAL TOLERANCES (UNLESS SPECIFIED)		EC NO: 710011				
ANGULAR TOL ± 3.0°		DRWN: NARENC 2022/05/30		PRODUCT CUSTOMER DRAWING		
4 PLACES ±		CHK'D: YNAITO 2022/06/10		DOCUMENT NUMBER		
3 PLACES ±		APPR: SHOSHIKAWA 2022/06/10		545480000		
2 PLACES ±		INITIAL REVISION:		DOC TYPE		
1 PLACE ±		DRWN: NARENC 2022/05/30		PSD		
0 PLACES ±		APPR: SHOSHIKAWA 2022/06/10		DOC PART		
DRAFT WHERE APPLICABLE MUST REMAIN WITHIN DIMENSIONS		THIRD ANGLE PROJECTION		REVISION		
DRAWING		SERIES		A		
A3-SIZE		54548		SHEET NUMBER		
MATERIAL NUMBER		CUSTOMER		2 OF 4		
SEE TABLE		GENERAL MARKET				

GENERAL TOLERANCES (UNLESS SPECIFIED)

10 ^{UNDER}	±0.2
10 ^{OVER} 30 ^{UNDER}	±0.25
30 ^{OVER}	±0.3



24mm幅キャリアテープ
24mm WIDTH CARRIER TAPE

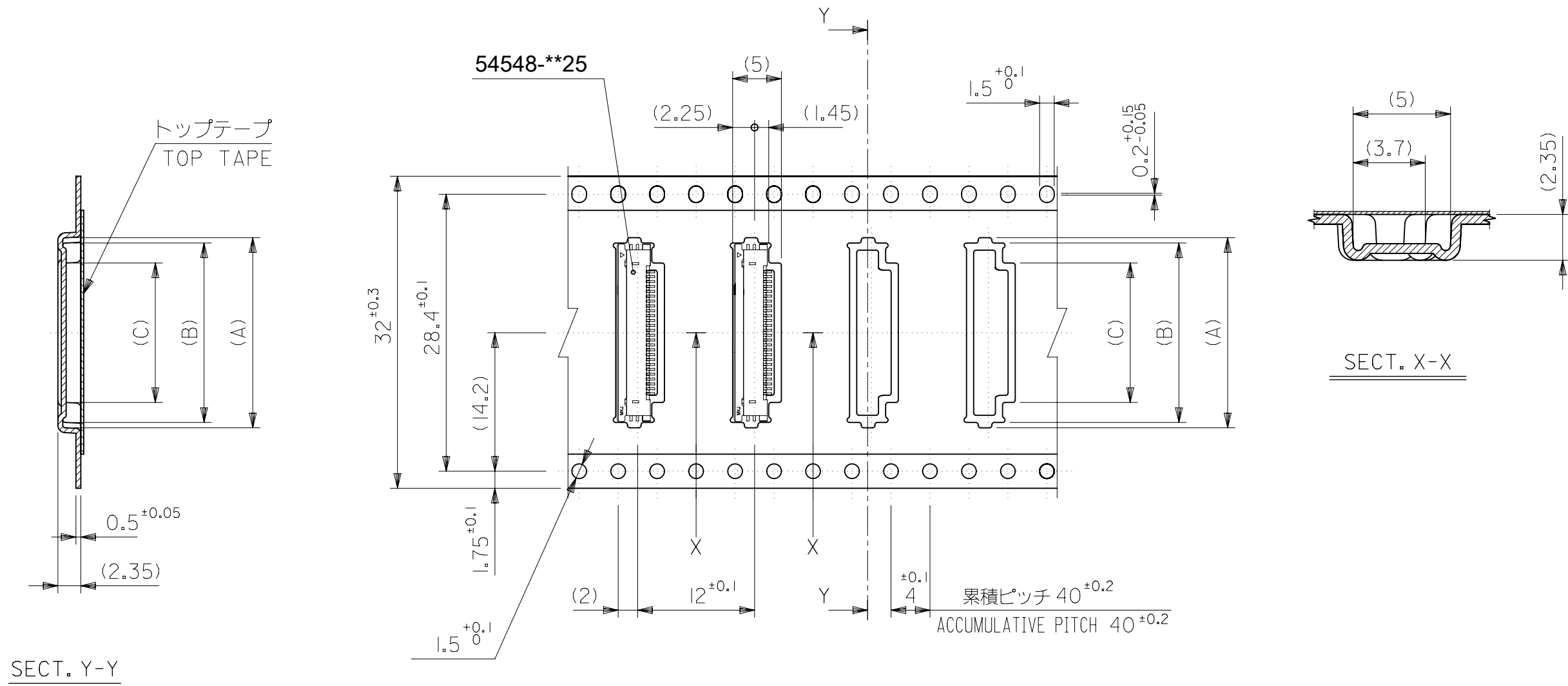
24	29.4	25.4	12.3	16.4	17.5	54548-2272	22		
			11.3	15.4	16.5	54548-2072	20		
			10.3	14.4	15.5	54548-1872	18		
			9.3	13.4	14.5	54548-1672	16		
			8.8	12.9	14.0	54548-1572	15		
			8.3	12.4	13.5	54548-1472	14		
			7.8	11.9	13.0	54548-1372	13		
			7.3	11.4	12.5	54548-1272	12		
			6.3	10.4	11.5	54548-1072	10		
			5.8	9.9	11.0	54548-0972	9		
5.3	9.4	10.5	54548-0872	8					
4.8	8.9	10.0	54548-0772	7					
キャリアテープ幅 CARRIER TAPE WIDTH			E	D	(C)	(B)	(A)	製品番号 MATERIAL No.	極数 Ck+

54548-**72 MODEL No.

THIS DRAWING CONTAINS INFORMATION THAT IS PROPRIETARY TO MOLEX ELECTRONIC TECHNOLOGIES, LLC AND SHOULD NOT BE USED WITHOUT WRITTEN PERMISSION

DIMENSION UNITS	SCALE	CURRENT REV DESC:		molex		
mm	NTS					
GENERAL TOLERANCES (UNLESS SPECIFIED)				0.5 FPC CONN ZIF HSG ASSY RA BOTTOM CONTACT -LEAD FREE-		
ANGULAR TOL ± 3.0°				PRODUCT CUSTOMER DRAWING		
4 PLACES	±	EC NO: 710011		DOCUMENT NUMBER		
3 PLACES	±	DRWN: NARENC 2022/05/30		545480000		
2 PLACES	±	CHK'D: YNAITO 2022/06/10		DOC TYPE DOC PART REVISION		
1 PLACE	±	APPR: SHOSHIKAWA 2022/06/10		PSD 001 A		
0 PLACES	±	INITIAL REVISION:		SHEET NUMBER		
10 ^{UNDER}		±0.2	DRWN: NARENC 2022/05/30		3 OF 4	
10 ^{OVER} 30 ^{UNDER}		±0.25	APPR: SHOSHIKAWA 2022/06/10			
30 ^{OVER}		±0.3	DRAFT WHERE APPLICABLE MUST REMAIN WITHIN DIMENSIONS			
			THIRD ANGLE PROJECTION			
			DRAWING			
			SERIES			
			MATERIAL NUMBER			
			CUSTOMER			

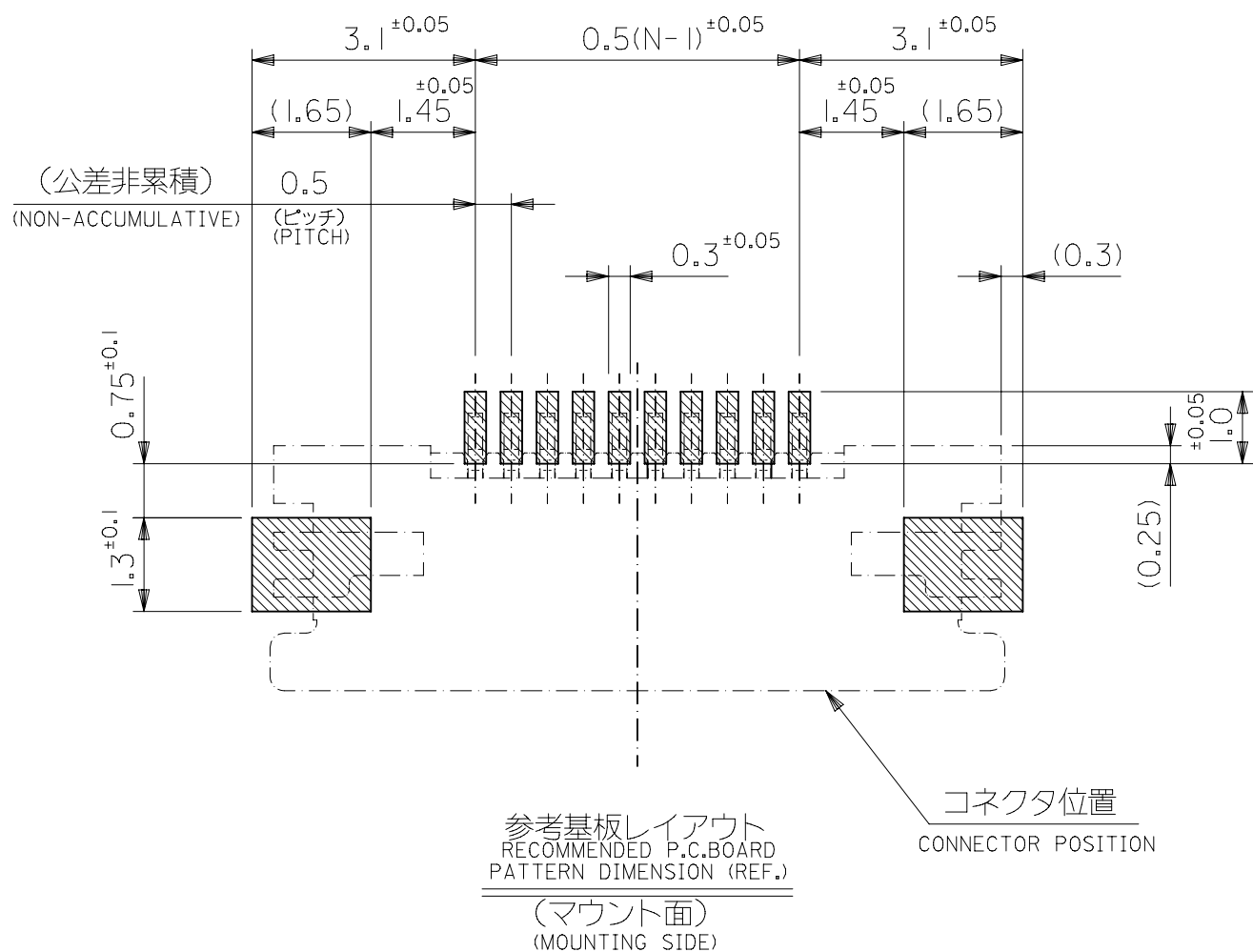
引き出し方向
PULL OUT DIRECTION



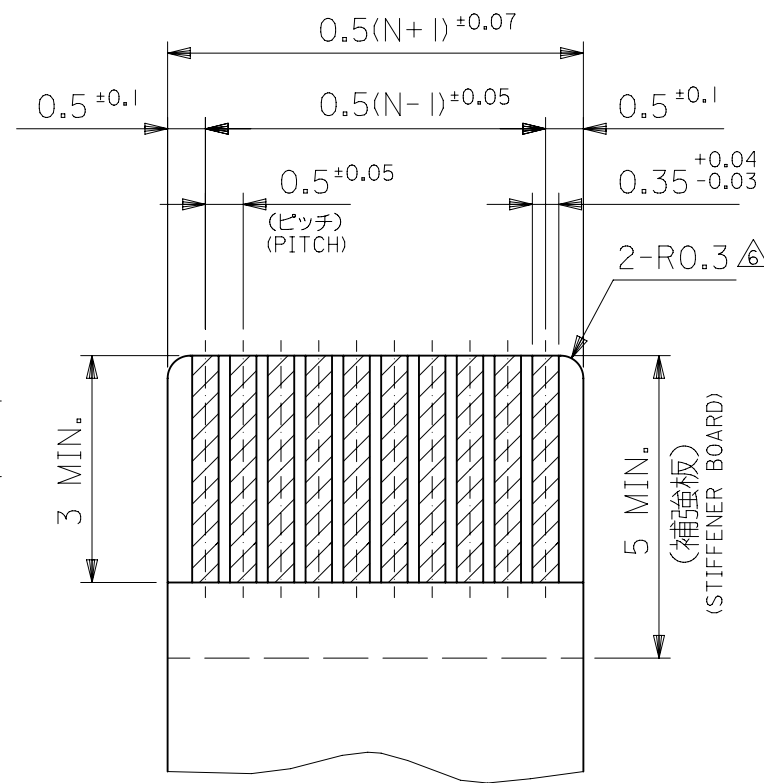
32mm幅キャリアテープ
32mm WIDTH CARRIER TAPE

32	37.4	33.4	14.3	18.4	19.5	54548-2672	26
キャリアテープ幅 CARRIER TAPE WIDTH	E	D	(C)	(B)	(A)	製品番号 MATERIAL No.	極数 Ck+
						54548-**72	MODEL No.

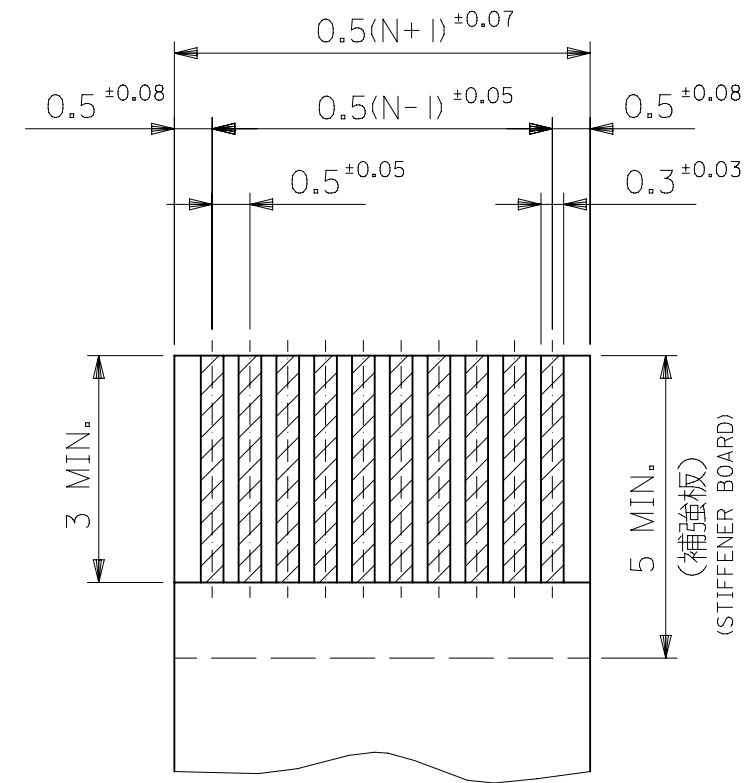
GENERAL TOLERANCES (UNLESS SPECIFIED) 10 ^{UNDER} ±0.2 10 ^{OVER} 30 ^{UNDER} ±0.25 30 ^{OVER} ±0.3		THIS DRAWING CONTAINS INFORMATION THAT IS PROPRIETARY TO MOLEX ELECTRONIC TECHNOLOGIES, LLC AND SHOULD NOT BE USED WITHOUT WRITTEN PERMISSION. DIMENSION UNITS: mm SCALE: NTS ANGULAR TOL: ± 3.0° EC NO: 710011 DRWN: NARENC 2022/05/30 CHK'D: YNAITO 2022/06/10 APPR: SHOSHIKAWA 2022/06/10 INITIAL REVISION: DRWN: NARENC 2022/05/30 APPR: SHOSHIKAWA 2022/06/10 DRAFT WHERE APPLICABLE MUST REMAIN WITHIN DIMENSIONS THIRD ANGLE PROJECTION DRAWING: A3-SIZE SERIES: 54548 MATERIAL NUMBER: SEE TABLE CUSTOMER: GENERAL MARKET SHEET NUMBER: 4 OF 4	molex 0.5 FPC CONN ZIF HSG ASSY RA BOTTOM CONTACT -LEAD FREE- PRODUCT CUSTOMER DRAWING DOCUMENT NUMBER: 545480000 DOC TYPE: PSD DOC PART: 001 REVISION: A
-----------------------------------------------------------------------------------------------------------------------------------------------------	--	-----------------------------------------------------------------------------------------------------------------------------------------------------------------------------------------------------------------------------------------------------------------------------------------------------------------------------------------------------------------------------------------------------------------------------------------------------------------------------------------------------------------------------------------------------------------------------------------------------------	---------------------------------------------------------------------------------------------------------------------------------------------------------------------------------------



参考基板レイアウト
RECOMMENDED P.C.BOARD
PATTERN DIMENSION (REF.)
(マウント面)
(MOUNTING SIDE)



適合FPC推奨寸法
APPLICABLE FPC
RECOMMENDED DIMENSION
(仕上がり厚さ: 表参照)
(THICKNESS: SEE CHART)



適合FFC推奨寸法
APPLICABLE FFC
RECOMMENDED DIMENSION
(仕上がり厚さ: 表参照)
(THICKNESS: SEE CHART)

注記 NOTES

1. 使用材料 MATERIAL

- ハウジング : LCP, UL94V-0
HOUSING
- アクチュエータ : PPS, UL94V-0
ACTUATOR
- ターミナル : リン青銅 (t=0.2)
TERMINAL PHOSPOR BRONZE
- メッキ : 接点部: 金メッキ
PLATING CONTACT PORTION: GOLD PLATING
- テール部: 錫メッキ
SOLDERING PORTION: TIN OVER PLATING
- 下地: ニッケルメッキ
UNDER PLATING: NICKEL PLATING
- 金具 : リン青銅、錫メッキ (t=0.2)
FITTING NAIL PHOSPOR BRONZE, TIN PLATING
- 下地: ニッケルメッキ
UNDER PLATING: NICKEL PLATING

- △ パターンはくり止め用金具
FITTING NAIL FOR PREVENTION OF PEELING
OF P.C.B. PATTERN.
- △ R0.3はFPC導体部にかからないこと
R0.3 MUST NOT BE OVERLAPPED TO PATTERN OF FPC.
- 7. 本製品は54548-**21の鉛フリー(部分金メッキ)品である。
THIS PRODUCT IS LEAD FREE OF 54548-**21 (SELECTIVE GOLD).
- 8. N: 極数 N: CIRCUIT.

- 2. エンボステーブ梱包時は、アクチュエータがロックした状態とする。
IN THE PACKAGE, ACTUATOR OF PART NO.54548-**25 SHOULD BE LOCKED.
- △ ソルダータール半田付け面のズレ量、及び金具半田付け面のズレ量は、基準面 Z
に対し上方向 0MAX.、下方向 0.15MAX.とし
相互のバラツキ量は0.1MAX.とする。
MISALIGNMENT OF SOLDER TAILS AND FITTING NAILS FROM Z
UPPER DIRECTION: 0 MAX., LOWER DIRECTION: 0.15 MAX.
OFFSET BETWEEN UPPER AND LOWER 0.1 MAX.

- △ 偶数極に適用。
APPLY FOR EVEN CIRCUIT.

FPC/FFC について:

打ち抜き方向は導体側から補強板側を推奨します。
導体部については軟銅箔35μmまたは50μmを推奨します。

ABOUT FPC/FFC

RECOMMENDED PUNCHER DIRECTION: FROM CONDUCTOR SIDE TO STIFFENER FILM SIDE.
RECOMMENDED CONDUCTOR SPEC:
THICKNESS OF SOFT COPPER FOIL: 35 MICROMETER OR 50 MICROMETER.

FPC について:

補強フィルム材質はポリイミドを推奨します。ベ-スフィルムは25μmを推奨します。
接着剤は熱硬化接着剤を推奨します。
尚、接着剤の接点部への付着は導通不良の原因になりますので、染み出しが無い様、お願い致します。

ABOUT FPC

RECOMMENDED MATERIAL/THICKNESS.
STIFFENER FILM: POLYIMIDE
BASE FILM THICKNESS: 25μm
BONDING AGENT: THERMOSETTING BONDING AGENT
PLEASE PUT APPROPRIATE AMOUNT OF ADHESIVE ON THE CONTACT
AREA BECAUSE THE EXTRA ADHESIVE MAY CAUSE THE DEFECT IN
ELECTRICAL CONTINUITY.

54548-**25 MODEL No.

THIS DRAWING CONTAINS INFORMATION THAT IS PROPRIETARY TO MOLEX ELECTRONIC TECHNOLOGIES, LLC AND SHOULD NOT BE USED WITHOUT WRITTEN PERMISSION		CURRENT REV DESC:		molex	
DIMENSION UNITS	SCALE	EC NO: 710011			
mm	1:1	DRWN: NARENC 2022/05/30		0.5 FPC CONN ZIF HSG	
GENERAL TOLERANCES (UNLESS SPECIFIED)		CHK'D: YNAITO 2022/06/10		ASSY FOR SMT RA BTM CONT -LEAD FREE-	
ANGULAR TOL ± 3.0°		APPR: SHOSHIKAWA 2022/06/10		PRODUCT CUSTOMER DRAWING	
4 PLACES ±		INITIAL REVISION:		DOCUMENT NUMBER	
3 PLACES ±		DRWN: NARENC 2022/05/30		545481000	
2 PLACES ±		APPR: SHOSHIKAWA 2022/06/10		PSD 001 A	
1 PLACE ±		DRAFT WHERE APPLICABLE MUST REMAIN WITHIN DIMENSIONS		SHEET NUMBER	
0 PLACES ±		THIRD ANGLE PROJECTION		2 OF 2	
DRAWING		SERIES		MATERIAL NUMBER	
A3-SIZE		54548		SEE TABLE	
CUSTOMER		GENERAL MARKET			

GENERAL TOLERANCES (UNLESS SPECIFIED)	
10 ^{UNDER}	±0.2
10 ^{OVER} 30 ^{UNDER}	±0.25
30 ^{OVER}	±0.3