

1		2		3		4		5		6		7		8	
AWG	Kontakttyp	Vergoldung	Modifikation	VPE	MLQ	FCT PN	Material No.	Kontakttyp	Vergoldung	Modifikation	VPE	MLQ	FCT PN	Material No.	
AWG 22-28	FK22P-	02V	-5783	100	500	FK22P-02V-5783	1731120223	FK22SL-	02V	-5783	100	500	FK22SL-02V-5783	1731120226	
			-6096	1000	1000	FK22P-02V-6096	1731120739			-6096	1000	1000	FK22SL-02V-6096	1731120743	
			-6097	5000	5000	FK22P-02V-6097	1731120737			-6097	5000	5000	FK22SL-02V-6097	1731120744	
		08V	-5783	100	500	FK22P-08V-5783	1731120224		08V	-5783	100	500	FK22SL-08V-5783	1731120227	
			-6096	1000	1000	FK22P-08V-6096	1731120738			-6096	1000	1000	FK22SL-08V-6096	1731120745	
			-6097	5000	5000	FK22P-08V-6097	1731120740			-6097	5000	5000	FK22SL-08V-6097	1731120746	
	13V	-5783	100	500	FK22P-13V-5783	1731120225	13V	-5783	100	500	FK22SL-13V-5783	1731120228			
		-6096	1000	1000	FK22P-13V-6096	1731120741		-6096	1000	1000	FK22SL-13V-6096	1731120747			
		-6097	5000	5000	FK22P-13V-6097	1731120742		-6097	5000	5000	FK22SL-13V-6097	1731121035			

Ordering Example **FK22SL-13V-5783**

Crimp socket contact for wire size 22-28 plating 1.3µm Au over Ni, 100 pieces are packed in one bag.

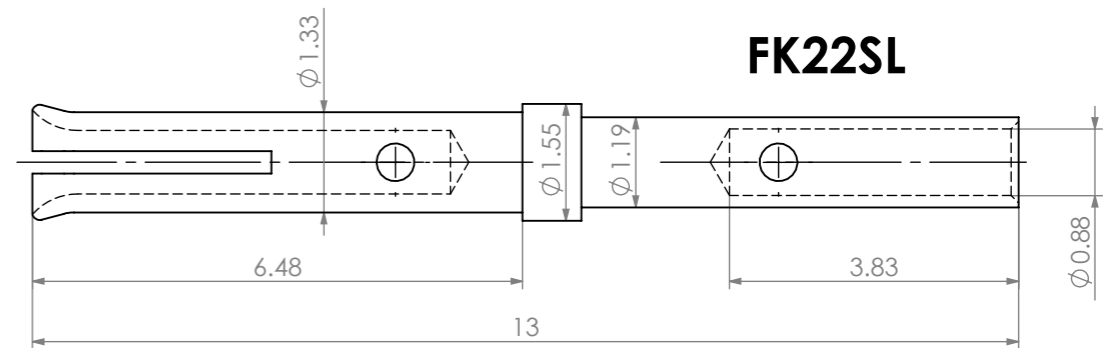
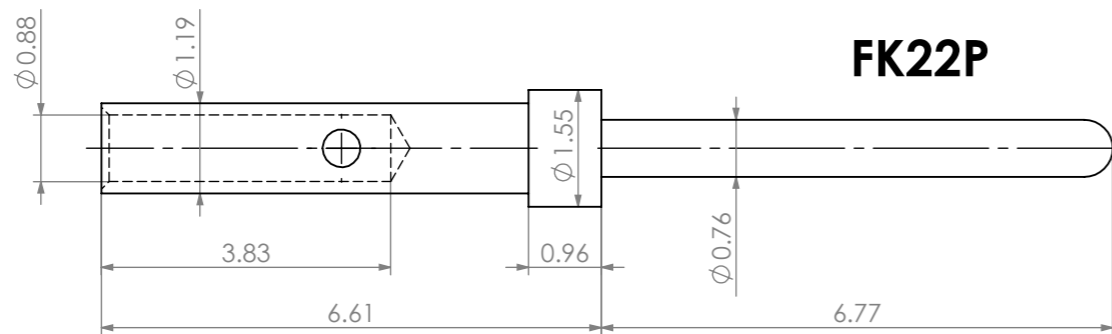
Crimping Tools see catalogue.

Crimping Guideline see AM0650

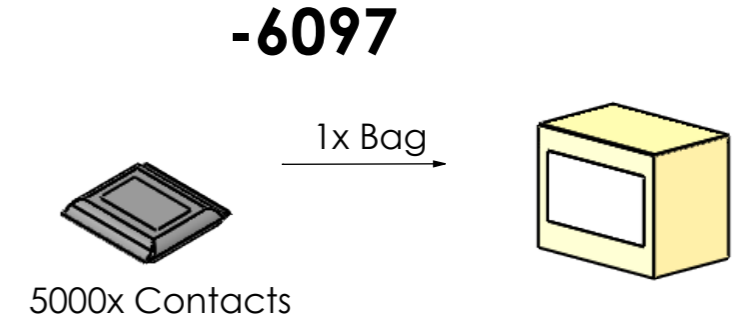
PIN Material: Brass

SOCKET Material: Copper alloy

**AWG
22-28**



Packing unit



COMMENT: ALL RIGHTS ARE RESERVED BY US FOR THIS DRAWING. WITHOUT OUR PRIOR CONSENT, IT MAY NEITHER BE DUPLICATED NOR MADE AVAILABLE TO A THIRD PARTY. AND IT ALSO MAY NOT BE IMPROPERLY USED BY THE RECEIVER, OR A THIRD PARTY.

SYMBOLS	THIS DRAWING CONTAINS INFORMATION THAT IS PROPRIETARY TO MOLEX ELECTRONIC TECHNOLOGIES, LLC AND SHOULD NOT BE USED WITHOUT WRITTEN PERMISSION			
	DIMENSION UNITS mm	SCALE 5:1	MEASUREMENTS WITHOUT TOLERANCE ACC. TO ISO 2768-m	
= 0 = 0 = 0 = 0 = 0 = 0 = 0 = 0 = 0 = 0	CURRENT REVISION		 FCT-Machined Contacts for HD Crimp Connectors	
3	24184	DRWN: DRAWN BY		
2	24139	APPR: APPR BY	MTeubel 12-11-2019	
1	23880	INITIAL REVISION		
REV.	CH.-NO.	DRWN: DRAWN BY	MTeubel 03-06-2016	
		APPR: APPR BY	sschref 09-06-2016	
REPLACEMENT FOR:	THIRD ANGLE PROJECTION	DRAWING	MATERIAL NUMBER	REVISION
		A3-SIZE	see table	3
			DOCUMENT NUMBER	SHEET NUMBER
			FK22-xx	1 OF 1
			CUSTOMER	
			GENERAL MARKET	