

**PLEASE CHECK WWW.MOLEX.COM FOR LATEST PART INFORMATION**

**Part Number:** [2005010281](#)  
**Status:** **Active**  
**Overview:** [stAK50h Connection System](#)  
**Description:** stAK50h Vertical Hybrid Header, 28 Circuits, Key 1, Dark Gray, Tube

**Documents:**

<a href="#">3D Model</a>	<a href="#">Application Specification 2005060000-AS-000 (PDF)</a>
<a href="#">Drawing (PDF)</a>	<a href="#">Test Summary 2005010280-TS-000 (PDF)</a>
<a href="#">3D Model (PDF)</a>	<a href="#">Datasheet (PDF)</a>
<a href="#">Product Specification 2005060001-PS-000 (PDF)</a>	<a href="#">RoHS Certificate of Compliance (PDF)</a>

**General**

Product Family	PCB Headers
Series	<a href="#">200501</a>
Application	Automotive, Power, Signal, Wire-to-Board
Overview	<a href="#">stAK50h Connection System</a>
Product Name	stAK50h
UPC	889056679534

**Physical**

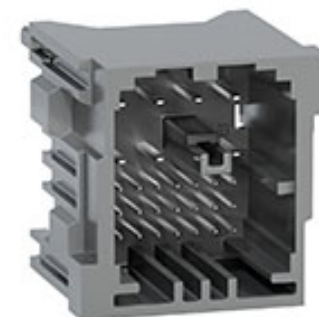
Breakaway	No
Circuits (Loaded)	28
Circuits (maximum)	28
Color - Resin	Gray (Dark)
Durability (mating cycles max)	10
First Mate / Last Break	No
Glow-Wire Capable	No
Guide to Mating Part	Yes
Keying to Mating Part	Yes
Lock to Mating Part	Yes
Material - Metal	Copper Alloy
Material - Plating Mating	Tin
Material - Plating Termination	Tin
Material - Resin	SPS
Net Weight	6.670/g
Number of Rows	5
Orientation	Vertical
PCB Locator	Yes
PCB Retention	None
PCB Thickness - Recommended	1.60mm
Packaging Type	Tube
Pitch - Mating Interface	2.00mm, 4.00mm
Pitch - Termination Interface	2.00mm, 4.00mm
Polarized to Mating Part	Yes
Polarized to PCB	Yes
Shrouded	Yes
Stackable	Yes
Surface Mount Compatible (SMC)	Yes
Temperature Range - Operating	-40° to +85°C
Termination Interface: Style	Through Hole

**Electrical**

Current - Maximum per Contact	12.0A, 5.0A
Voltage - Maximum	500V DC

**Material Info**

**Reference - Drawing Numbers**



*Series image - Reference only*

**EU ELV**

**Compliant**

**EU RoHS**

**Compliant**

**REACH SVHC**

Not Contained Per -  
D(2020)4578-DC (25  
June 2020)

**Halogen-Free**

**Status**

**Low-Halogen**

For more information, please visit [Contact US](#)

China ROHS

ELV

RoHS Phthalates

**China RoHS**

Green Image

Compliant

Not Contained

**Search Parts in this Series**

[200501 Series](#)

**Mates With**

[1600140001](#)

Application Specification  
Product Specification  
Sales Drawing  
Test Summary

2005060000-AS-000  
2005060001-PS-000  
2005011280SD-000  
2005010280-TS-000

This document was generated on 08/05/2020

**PLEASE CHECK [WWW.MOLEX.COM](http://WWW.MOLEX.COM) FOR LATEST PART INFORMATION**