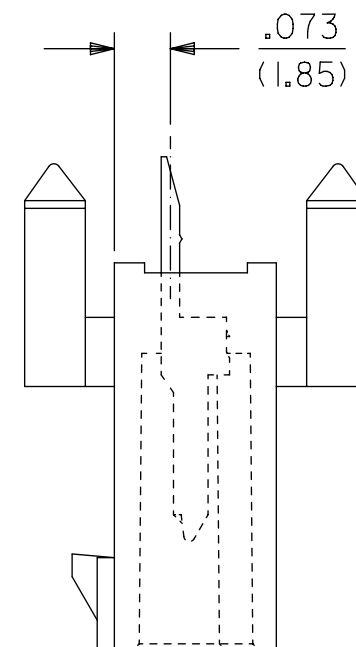
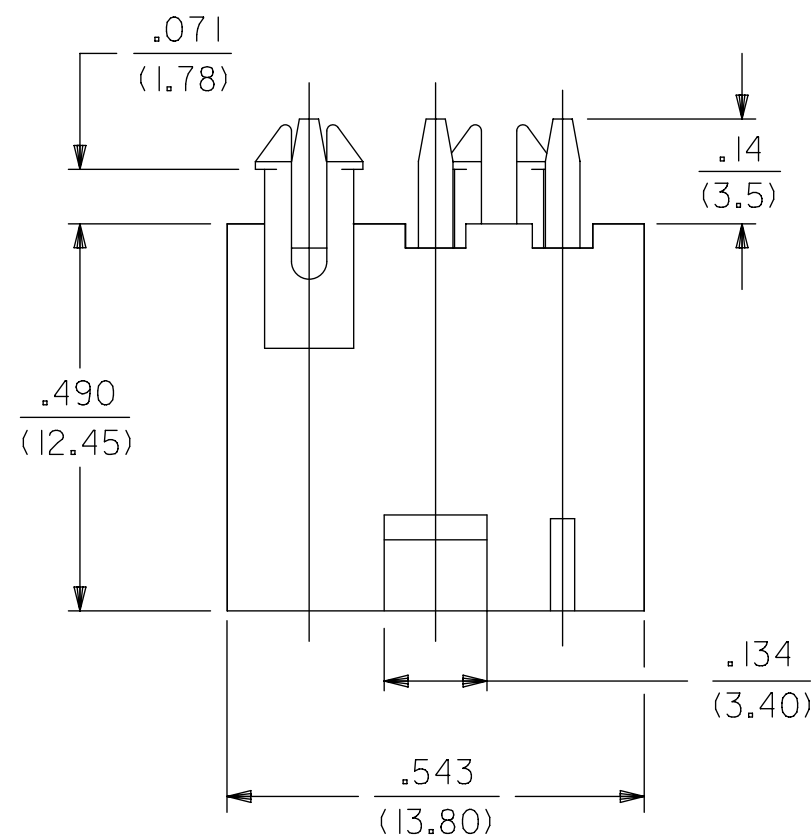
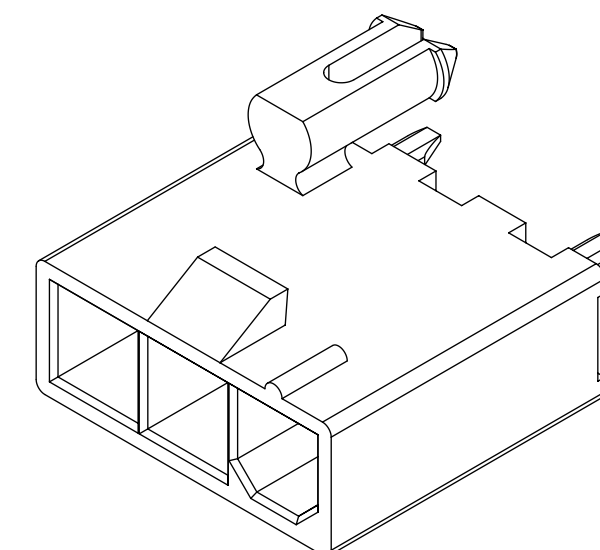


NOTES:

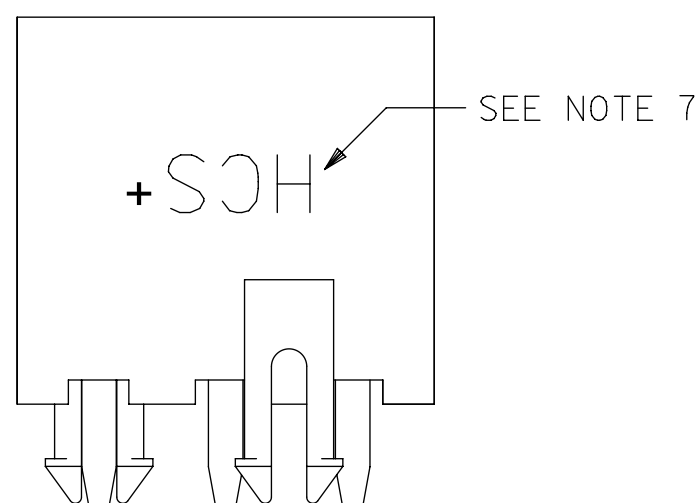
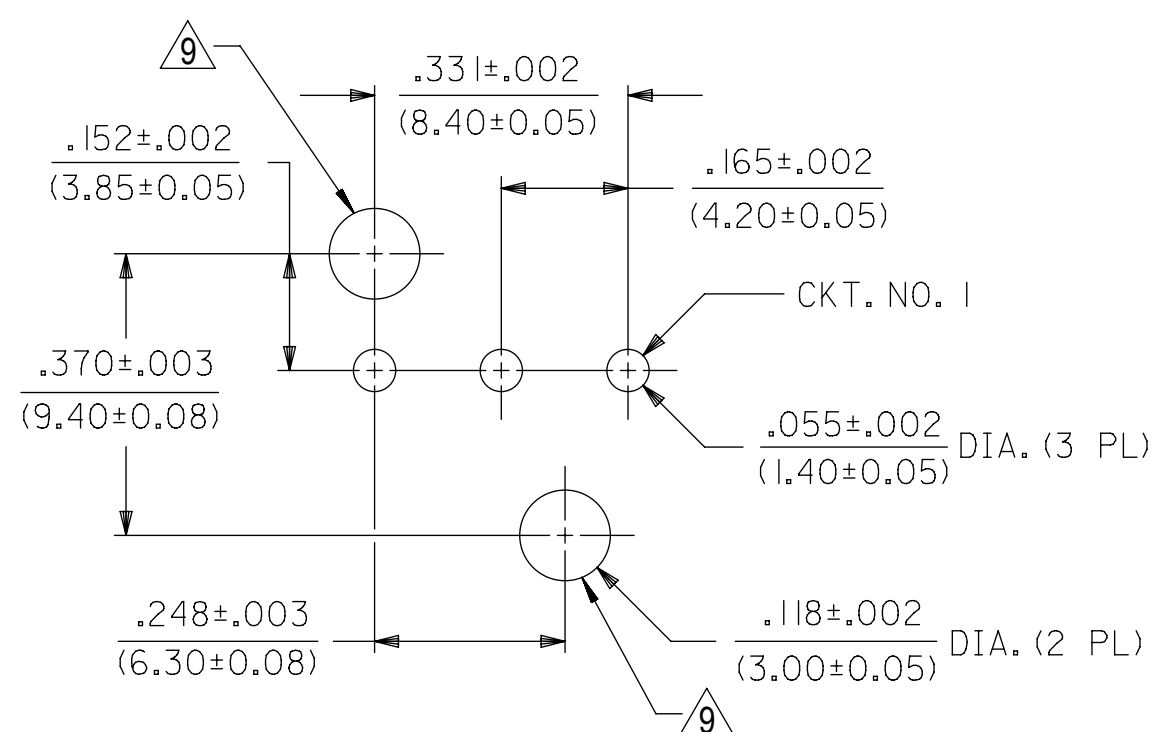
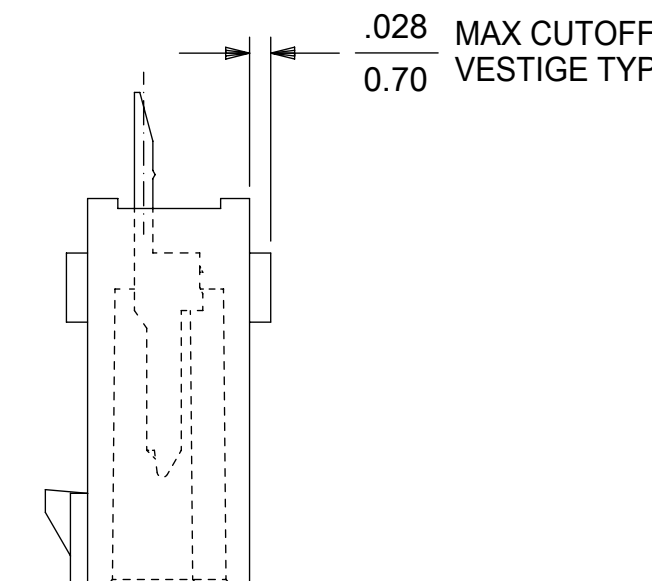
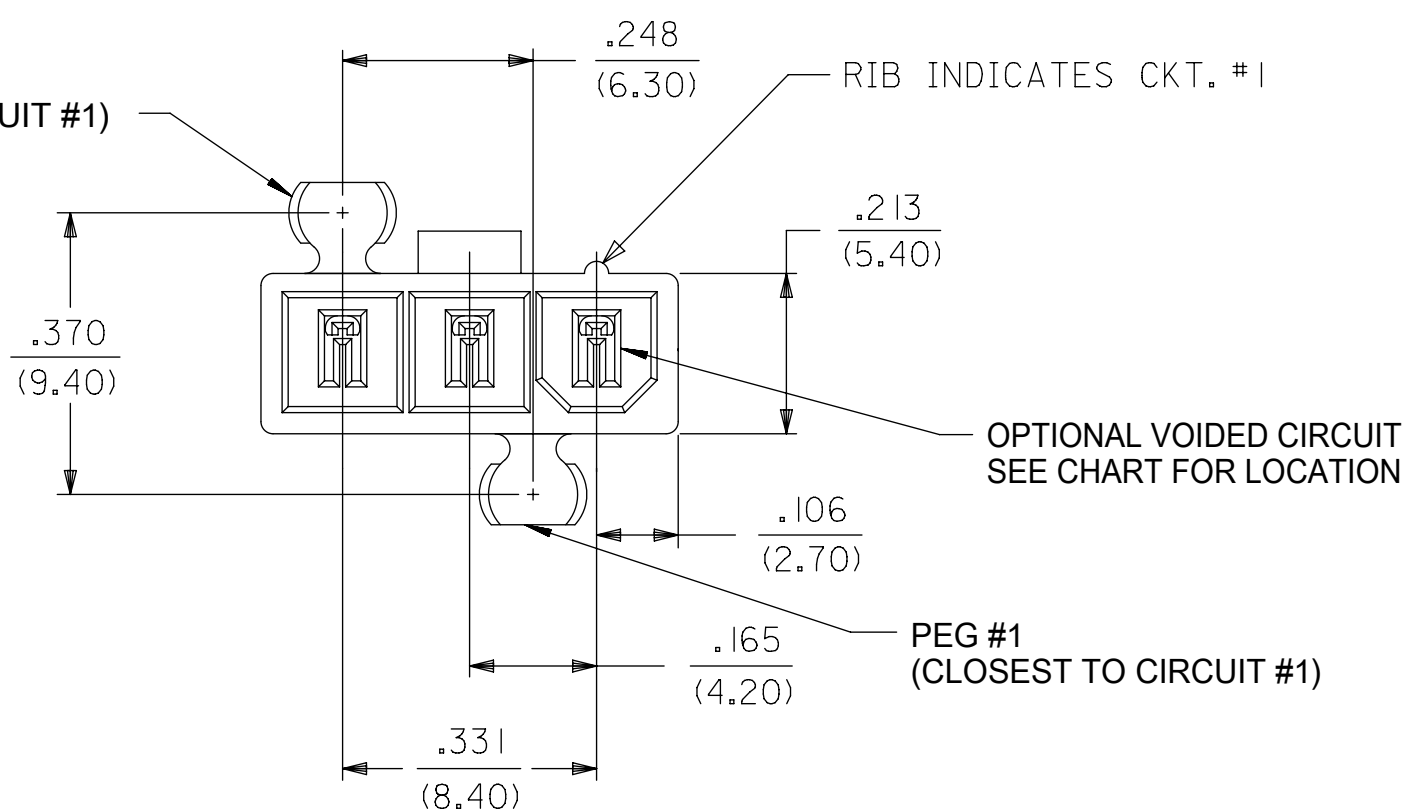
- 1) MATERIALS:
HOUSING: 1 - NYLON 6/6, UNFILLED UL 94V-2, COLOR: NATURAL
2 - NYLON 6/6, UNFILLED UL 94V-0, COLOR: NATURAL
TERMINALS: COPPER ALLOY
- 2) TERMINAL PLATING:
1 - .000100/(.00254) MIN. MATTE TIN OVER
.000050/(.00127) MIN. NICKEL OVERALL
2 - .000030/(.00076) MIN. SELECT GOLD AND
.000100/(.00254) MIN. SELECT MATTE TIN OVER
.000050/(.00127) MIN. NICKEL OVERALL
- 3) PRODUCT SPECIFICATION: PS-45750-001
- 4) PACKAGING: TRAY PACK PER PK-5566-002
FOR P/N 46014-3003 TRAY PACK PER PK-43588-001
- 5) PART MATES WITH WITH MINI-FIT JR. RECEPTACLE #5557.
- 6) PART IS NOT DESIGNED FOR CURRENT SHARING.
- 7) PARTS TO HAVE "HCS+" MARKING.
- 8) PART CONFORMS TO CLASS "B" REQUIREMENTS OF COSMETIC SPECIFICATION PS-45499-002.
- 9) LOCATION OF .118±.002/(3.00±0.05) DIAMETER HOLES ON P.C. BOARD IS FOR OPTIONAL PEGS.



PART NUMBERS W/ VOIDED CIRCUITS & PEGS REMOVED				
ITEM NO.	HOUSING MATERIAL	PLATING	VOIDED CIRCUIT(S)	PEGS REMOVED
46014-3001	V-0	GOLD	2	NONE
46014-3002	V-0	TIN	2	NONE
46014-3003	V-0	TIN	NONE	BOTH
46014-3004	V-0	GOLD	2 & 3	NONE



PEG #2 (FURTHEST FROM CIRCUIT #1)



RECOMMENDED HOLE LAYOUT FOR
.070/(1.78) MAX. THICK P.C. BOARD

THIS DRAWING CONTAINS INFORMATION THAT IS PROPRIETARY TO MOLEX ELECTRONIC TECHNOLOGIES, LLC AND SHOULD NOT BE USED WITHOUT WRITTEN PERMISSION										
SYMBOLS		DIMENSION UNITS		SCALE		CURRENT REV DESC: ADD 46014-3004				
∇ = 0	IN/MM	4:1				molex VERTICAL HEADER ASSEMBLY SINGLE ROW, 3 CKT MINIFIT PLUS HCS W/VOIDS				
∇ = 0	GENERAL TOLERANCES (UNLESS SPECIFIED)									
∇ = 0		MM	INCH			EC NO: 617500 DRWN: JEHRISMAN 2019/05/17 CHK'D: DSTEIER 2019/05/21 APPR: FSMITH 2019/05/28				
∇ = 0	4 PLACES	±	±			INITIAL REVISION: DRWN: NNGUYEN 2012/08/20 APPR: FSMITH 2012/08/20				
∇ = 0	3 PLACES	±	± 0.01			DOCUMENT NUMBER		DOC TYPE	DOC PART	REVISION
∇ = 0	2 PLACES	± 0.25	± 0.02			SD-46014-004		PSD	000	A4
∇ = 0	1 PLACE	± 0.5	±			MATERIAL NUMBER		CUSTOMER		SHEET NUMBER
∇ = 0	0 PLACES	±	±			SEE CHART		GENERAL MARKET		1 OF 1
∇ = 0	ANGULAR TOL	± 0.5 °				DRAWING		SERIES		
∇ = 0	DRAFT WHERE APPLICABLE MUST REMAIN WITHIN DIMENSIONS			THIRD ANGLE PROJECTION		C-SIZE		46014		