

PLEASE CHECK WWW.MOLEX.COM FOR LATEST PART INFORMATION

Part Number: [2008750003](#)
Status: **Active**
Overview: [Micro-Fit 3.0 Connector System Product Family](#)
Description: [Micro-Fit TPA Plug Housing, Single Row, 3 Circuits, UL 94V-0, Low-Halogen, Black](#)

Documents:

Drawing (PDF)	RoHS Certificate of Compliance (PDF)
Product Specification PS-43650 (PDF)	Product Literature (PDF)
Packaging Specification 2008750000-PK-000 (PDF)	

Agency Certification

CSA	LR19980
UL	E29179

General

Product Family	Crimp Housings
Series	200875
Application	Power, Wire-to-Wire
Comments	See Product Specification for maximum current rating by circuit size and wire AWG
Overview	Micro-Fit 3.0 Connector System Product Family
Product Literature Order No	987650-5984
Product Name	Micro-Fit TPA
UPC	191128228831

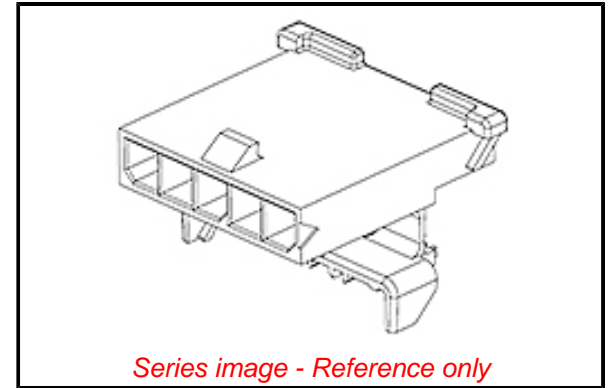
Physical

Circuits (maximum)	3
Color - Resin	Black
Flammability	94V-0
Gender	Plug
Glow-Wire Capable	No
Keying to Mating Part	None
Lock to Mating Part	Yes
Material - Resin	Nylon
Net Weight	0.440/g
Number of Rows	1
Packaging Type	Bag
Panel Mount	No
Pitch - Mating Interface	3.00mm
Polarized to Mating Part	Yes
Stackable	No
Temperature Range - Operating	-40° to +105°C

Material Info

Reference - Drawing Numbers

Packaging Specification	2008750000-PK-000
Product Specification	PS-43650
Sales Drawing	2008750000-SD-000



EU ELV

Compliant

EU RoHS

Compliant

REACH SVHC

Not Contained Per - ED/61/2018 (27 June 2018)

Halogen-Free

Status

Low-Halogen

For more information, please visit [Contact US](#)

China ROHS

ELV

RoHS Phthalates

China RoHS

Green Image

Compliant

Not Contained

Search Parts in this Series

[200875 Series](#)

Mates With

Micro-Fit TPA Receptacle Housing [171850](#)

Micro-Fit 3.0 Receptacle Housing [43645](#)

Use With

Micro-Fit 3.0 Male TPA Crimp Terminal

[43031-5xxx](#)