

PLEASE CHECK WWW.MOLEX.COM FOR LATEST PART INFORMATION

Part Number: [0002081104](#)
Status: **Active**
Description: Claspcn Crimp Terminal Socket, Tin (Sn) Plated Brass Contact, 24-30 AWG, Bag

Documents:

[Drawing \(PDF\)](#) [RoHS Certificate of Compliance \(PDF\)](#)
[Packaging Specification PK-1190-003 \(PDF\)](#)

Agency Certification

CSA LR19980
 UL E29179

General

Product Family Crimp Terminals
 Series [1881](#)
 Application Power, Wire-to-Board
 Crimp Quality Equipment Yes
 Packaging Alternative [02-08-1103 \(Reel\)](#)
 Product Name Claspcn
 UPC 800754228091

Physical

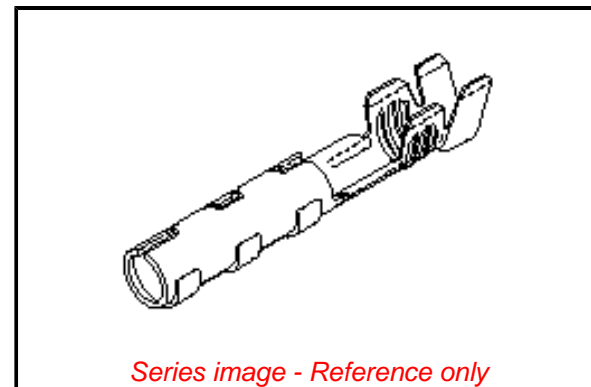
Gender Female
 Material - Metal Brass
 Material - Plating Mating Tin
 Material - Plating Termination Tin
 Net Weight 0.665/g
 Packaging Type Bag
 Plating min - Mating 0.508µm
 Plating min - Termination 0.508µm
 Termination Interface: Style Crimp or Compression
 Wire Insulation Diameter 0.76-1.52mm
 Wire Size AWG 24, 26, 28, 30
 Wire Size mm² N/A

Material Info

Engineering Number 188103L

Reference - Drawing Numbers

Packaging Specification PK-1190-003
 Sales Drawing SD-1881-*



Series image - Reference only

EU ELV

Not Relevant

EU RoHS

Compliant

REACH SVHC

Not Contained Per -
 ED/61/2018 (27 June
 2018)

Halogen-Free

Status

Low-Halogen

For more information, please visit [Contact US](#)

China ROHS

ELV

RoHS Phthalates

China RoHS

Green Image

Not Relevant

Not Contained

Search Parts in this Series

[1881 Series](#)

Mates With

[16-06-0005](#)