

**PLEASE CHECK WWW.MOLEX.COM FOR LATEST PART INFORMATION**

**Part Number:** **0758272114**  
**Status:** **Active**  
**Overview:** GbX Backplane Connector System  
**Description:** GbX 2 Pair Backplane Connector System, Left Guide Header, 40 Circuits, 10 Columns, Gold (Au) 0.76µm, Pin Length 4.55mm, Key Orientation A

**Documents:**

[3D Model](#) [Packaging Specification PK-70873-5058 \(PDF\)](#)  
[Drawing \(PDF\)](#) [RoHS Certificate of Compliance \(PDF\)](#)  
[Product Specification PS-75221-999-001 \(PDF\)](#)

**Agency Certification**

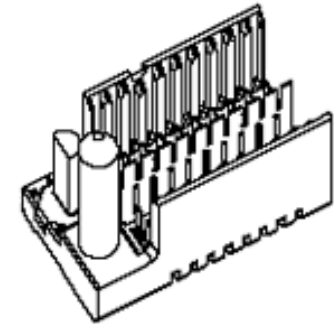
UL E29179

**General**

Product Family Backplane Connectors  
Series [75827](#)  
Application Backplane  
Application Tooling Documents TM-622022099  
Comments Left Guide Header, Keying Position A  
Component Type PCB Header  
Overview [GbX Backplane Connector System](#)  
Product Name GbX  
UPC 822350334754

**Physical**

Circuits (Loaded) 40  
Circuits (maximum) 40  
Color - Resin Gray (Dark)  
Durability (mating cycles max) 200  
First Mate / Last Break No  
Flammability 94V-0  
Guide to Mating Part Yes  
Keying to Mating Part Yes  
Material - Metal High Performance Alloy (HPA), Stainless Steel  
Material - Plating Mating Gold  
Material - Plating Termination Tin-Lead  
Material - Resin High Temperature Thermoplastic  
Net Weight 6.036/g  
Number of Columns 10  
Number of Pairs 2  
Number of Rows 4  
Orientation Vertical  
PC Tail Length 2.30mm  
PCB Locator No  
PCB Retention Yes  
PCB Thickness - Recommended 1.60mm  
Packaging Type Tray  
Pitch - Mating Interface 1.85mm  
Pitch - Termination Interface 1.85mm  
Plating min - Mating 0.762µm  
Plating min - Termination 0.762µm  
Polarized to PCB No  
Stackable Yes  
Surface Mount Compatible (SMC) Yes  
Temperature Range - Operating 105°C  
Termination Interface: Style Through Hole - Compliant Pin



Series image - Reference only

**EU ELV**

**Not Relevant**

**EU RoHS**

**Compliant**

**REACH SVHC**

Not Contained Per -  
ED/61/2018 (27 June  
2018)

**Halogen-Free**

**Status**

**Low-Halogen**

For more information, please visit [Contact US](#)

China ROHS

ELV

RoHS Phthalates

**China RoHS**

Green Image

Not Relevant

Not Contained

**Search Parts in this Series**

[75827](#) Series

**Mates With**

[75650](#) GbX Daughtercard

**Application Tooling | FAQ**

*Tooling specifications and manuals are found by selecting the products below. Crimp Height Specifications are then contained in the Application Tooling Specification document.*

**Global**

**Description**

**Product #**

GbX 2-Pair by 10-

[0622022410](#)

Wide Differential

Insertion Tool

**Electrical**

Current - Maximum per Contact	1.0A
Data Rate	8.0 Gbps
Real Signals (per 25mm)	54
Shield Type	Ground Plane Shield
Shielded	Yes
Voltage - Maximum	120V AC (RMS)/DC

**Solder Process Data**

Lead-free Process Capability	N/A
------------------------------	-----

**Material Info****Reference - Drawing Numbers**

Packaging Specification	PK-70873-5058
Product Specification	PS-75221-999-001
Sales Drawing	SD-75827-210

This document was generated on 10/08/2018

**PLEASE CHECK [WWW.MOLEX.COM](http://WWW.MOLEX.COM) FOR LATEST PART INFORMATION**