

**PLEASE CHECK WWW.MOLEX.COM FOR LATEST PART INFORMATION**

**Part Number:** [0025026070](#)  
**Status:** **Active**  
**Overview:** [C-Grid Connector Products](#)  
**Description:** 2.54mm Pitch C-Grid Header, Dual Row, Shrouded, with PC Slot and Guide Ear, 70 Circuits, 0.38µm Gold (Au) Selective Plating

**Documents:**

[3D Model](#) [Packaging Specification PK-70873-0070-001 \(PDF\)](#)  
[Drawing \(PDF\)](#) [RoHS Certificate of Compliance \(PDF\)](#)  
[Product Specification PS-70204-001 \(PDF\)](#)

**Agency Certification**

CSA LR19980  
 UL E29179

**General**

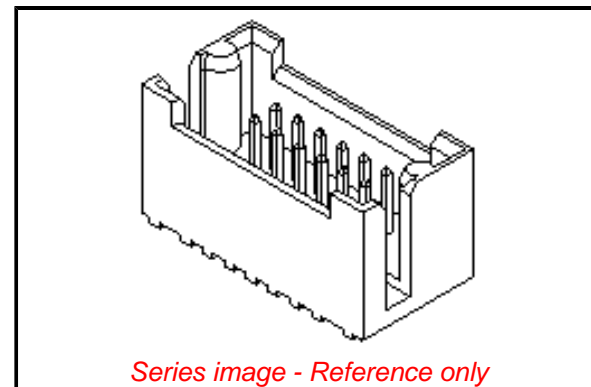
Product Family PCB Headers  
 Series [70204](#)  
 Application Board-to-Board, Signal  
 Overview [C-Grid Connector Products](#)  
 Product Name C-Grid  
 UPC 800753781221

**Physical**

Breakaway No  
 Circuits (Loaded) 70  
 Circuits (maximum) 70  
 Color - Resin Black  
 Durability (mating cycles max) 50  
 Flammability 94V-0  
 Glow-Wire Capable No  
 Guide to Mating Part Yes  
 Lock to Mating Part None  
 Material - Metal Brass, Phosphor Bronze  
 Material - Plating Mating Gold  
 Material - Plating Termination Tin  
 Material - Resin Nylon  
 Net Weight 12.712/g  
 Number of Rows 2  
 Orientation Vertical  
 PC Tail Length 2.79mm  
 PCB Locator No  
 PCB Retention None  
 Packaging Type Tray  
 Pitch - Mating Interface 2.54mm  
 Plating min - Mating 0.381µm  
 Plating min - Termination 1.905µm  
 Polarized to Mating Part Yes  
 Polarized to PCB No  
 Shrouded Fully  
 Stackable No  
 Temperature Range - Operating -40° to +105°C  
 Termination Interface: Style Through Hole

**Electrical**

Current - Maximum per Contact 3.0A  
 Voltage - Maximum 250V



*Series image - Reference only*

**EU ELV**

**Not Relevant**

**EU RoHS**

**Compliant**  
**REACH SVHC**

Not Contained Per -  
 ED/61/2018 (27 June  
 2018)

**Halogen-Free**  
**Status**

**Not Low-Halogen**

For more information, please visit [Contact US](#)

China ROHS	Green Image
ELV	Not Relevant
RoHS Phthalates	Not Contained

**Search Parts in this Series**

[70204 Series](#)

**Mates With**

[71973](#)

**Solder Process Data**

Duration at Max. Process Temperature (seconds)	005
Lead-free Process Capability	WAVE
Max. Cycles at Max. Process Temperature	001
Process Temperature max. C	245

**Material Info**

Engineering Number	A-70204-0290
--------------------	--------------

**Reference - Drawing Numbers**

Packaging Specification	PK-70873-0070-001
Product Specification	PS-70204-001
Sales Drawing	SDA-70204-0257-0320

This document was generated on 10/17/2018

**PLEASE CHECK [WWW.MOLEX.COM](http://WWW.MOLEX.COM) FOR LATEST PART INFORMATION**