

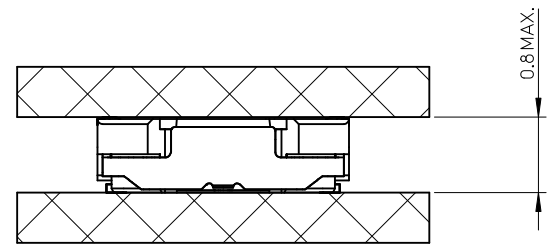
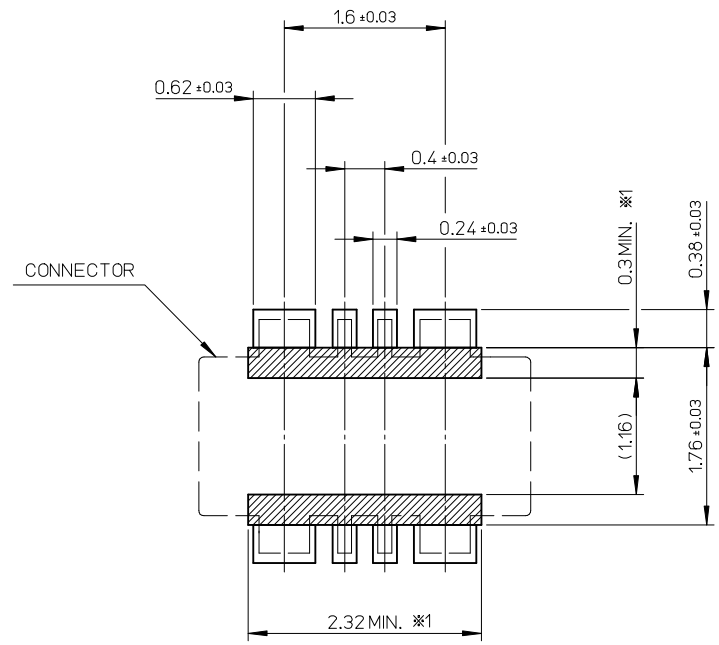
注記 NOTES

1. 使用材料 MATERIAL
 ハウジング : 液晶ポリマー (LCP) UL94V-0 (黒)
 HOUSING: LIQUID CRYSTAL POLYMER UL94V-0 (COLOR: BLACK)
 信号用ターミナル : 銅合金
 TERMINAL FOR SIGNAL CIRCUIT : COPPER ALLOY
 電源用ターミナル : 銅合金
 TERMINAL FOR POWER CIRCUIT : COPPER ALLOY
2. メッキ仕様 PLATING
 ターミナル (信号用、電源用) TERMINAL FOR SIGNAL AND POWER CIRCUIT
 金メッキ
 GOLD
 下地メッキ: ニッケルメッキ
 UNDER PLATING : NICKEL
 ※コンタクト部とテール部はニッケルメッキによって分断されている金メッキです。
 DIVIDE INTO PARTS THE GOLD PLATING OF THE CONTACT AND THE TAIL PART BY THE NICKEL PLATING.
4. 嵌合相手: 505004 シリーズ
 MATE WITH : 505004 SERIES.
5. テール平坦度は、0.08 以下
 TAIL COPLANARITY TO BE 0.08 MAXIMUM.
6. ELV & RoHS 適合品
 ELV and RoHS COMPLIANT.

4	4	505006-0820	○	---	8
FOR POWER	FOR SIGNAL	EMBOSSED TAPE PACKAGE	量産品 MASS PRODUCTION	試作対応可 LOW VOL. TOOL	極数 CIRCUIT
使用用途	USAGE	オーダー番号 ORDER NO.	サンプル供給 SAMPLE PREPARATION		

CONNECTOR SERIES No. : 505006-**09

PROPOSED EC NO: J2016-0047 DRW: MTAKASHI MAO1 2015/08/28 CHK: DRTAKEUCHI 2015/08/31 APPR: KMORIKAWA 2015/10/05	GENERAL TOLERANCES (UNLESS SPECIFIED)		DIMENSION STYLE MM ONLY		SCALE 20:1	DESIGN UNITS METRIC	THIRD ANGLE PROJECTION
	0.25 UNDER	±0.03	DRAWN BY	DATE	TITLE		
	0.25 OVER 0.5 UNDER	±0.05	MTAKASHI MAO1	2015/08/28	0.4 BB CONN H=0.75 BATTERY PLUG ASSY		
	0.5 OVER 1.0 UNDER	±0.1	CHECKED BY	DATE			
	1.0 OVER 30 UNDER	±0.2	R TAKEUCHI	2015/08/31			
10 OVER 10 UNDER	±0.25	APPROVED BY	DATE	DOCUMENT NO.			
30 OVER	±0.3	KMORIKAWA	2015/10/05	SD-505006-003			
ANGULAR	±1 °	MATERIAL NO.		SHEET NO.			
DRAFT WHERE APPLICABLE MUST REMAIN WITHIN DIMENSIONS		SIZE A3	THIS DRAWING CONTAINS INFORMATION THAT IS PROPRIETARY TO MOLEX INCORPORATED AND SHOULD NOT BE USED WITHOUT WRITTEN PERMISSION				

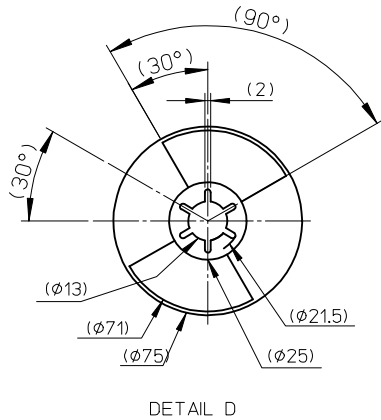
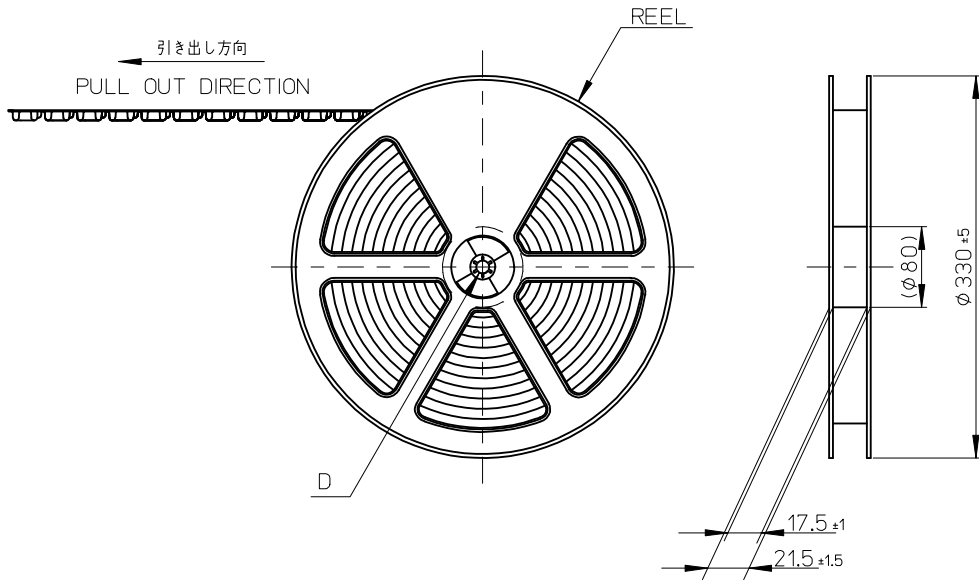


嵌合状態
MATED CONDITION

推奨基板寸法 (参考)
 推奨メタルマスク厚: t=0.1mm/推奨メタルマスク開口率: 80%
 RECOMMENDED P.W.BOARD PATTERN LAYOUT (REFERENCE)
 RECOMMENDED THICKNESS OF METAL MASK:t=0.1mm
 RECOMMENDED OPEN APERTURE RATIO OF METAL MASK:80%

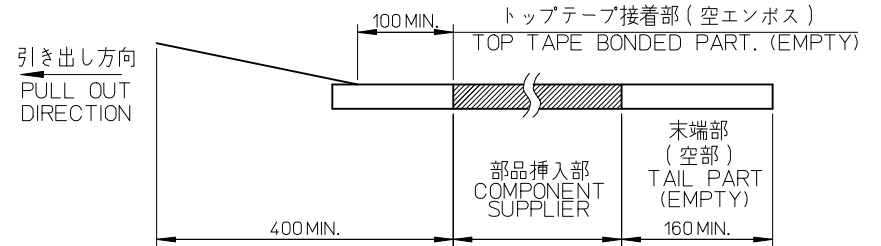
※1 パターン引き回し、および半田禁止エリア
 (当該箇所においては、回路の配線を禁止する。また、この部分に半田は無きこととする。)
 PROHIBITED AREA OF PATTERN WIRING AND SOLDER.
 (FOR EACH AREA THE WIRING CAN NOT BE AVAILABLE.
 AND COVERED WITH A FILM KEEP SOLDER OUT)

SEE SHEET 1 EC NO.: J2016-0047 DRW: MTAKASHIMA01 2015/08/28 CHKD: RTAKEUCHI 2015/08/31 APPR: KMORIKAWA 2015/10/05	GENERAL TOLERANCES (UNLESS SPECIFIED)		DIMENSION STYLE MM ONLY		SCALE 20:1	DESIGN UNITS METRIC	THIRD ANGLE PROJECTION	
	0.25 UNDER	±0.03	DRAWN BY DATE		TITLE			
	0.25 OVER 0.5 UNDER	±0.05	MTAKASHIMA01 2015/08/28		0.4 BB CONN H=0.75 BATTERY PLUG ASSY			
	0.5 OVER 1.0 UNDER	±0.1	CHECKED BY DATE		molex			
	1.0 OVER 10 UNDER	±0.2	RTAKEUCHI 2015/08/31					
10 OVER 30 UNDER	±0.25	APPROVED BY DATE		DOCUMENT NO.		SHEET NO.		
30 OVER	±0.3	KMORIKAWA 2015/10/05		SD-505006-003		2 OF 2		
ANGULAR ±1 °		MATERIAL NO.		SEE SHEET 1				
DRAFT WHERE APPLICABLE MUST REMAIN WITHIN DIMENSIONS			SIZE A3	THIS DRAWING CONTAINS INFORMATION THAT IS PROPRIETARY TO MOLEX INCORPORATED AND SHOULD NOT BE USED WITHOUT WRITTEN PERMISSION				



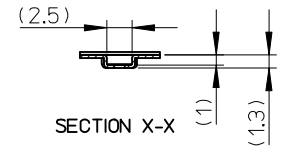
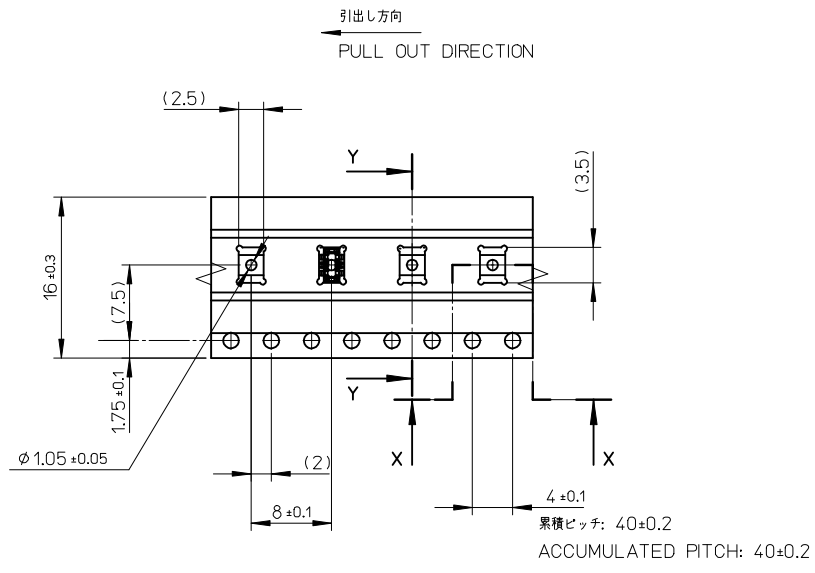
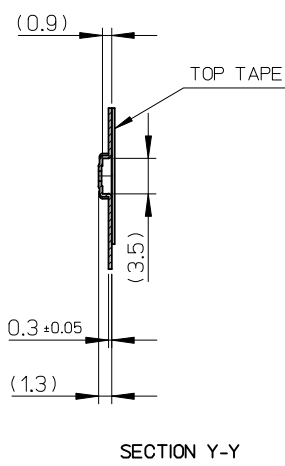
注記 NOTES

- 製品詳細寸法については製品単体図面を参照下さい。
RE DETAILED DIMENSION, SEE PRODUCT DRAWING.
- 梱包数量: 5000個/リール
NUMBER OF CONNECTORS: 5000PCS/REEL
- リードテープ長さ LEAD TAPE LENGTH



- トップテープの剥離強度は、IEC60286-3に準拠する。
PEELING OFF FORCE OF THE TOP TAPE IS DEFINED BY IEC60286-3.
- 材料 MATERIAL
キャリアテープ (CARRIER TAPE) ポリスチレン (POLYSTYRENE)
トップテープ (TOP TAPE) PET, OTHER
リール (REEL) ポリスチレン (PS) <リサイクル材を含む>
POLYSTYRENE (PS) <RECYCLE MATERIAL CONTAINED>
- ELV 及び RoHS適合品
ELV AND RoHS COMPLIANT

REVISED EC NO: J2016-0047 DRAWN: MTAKASHI MA01 2015/09/01 CHKD: RTAKEUCHI 2015/09/01 APPR: KMORIKAWA 2015/10/05	GENERAL TOLERANCES (UNLESS SPECIFIED)		DIMENSION STYLE MM ONLY		SCALE 1:1	DESIGN UNITS METRIC	THIRD ANGLE PROJECTION	
	0.25 UNDER	± 0.03	DRAWN BY	DATE	TITLE			
	0.25 OVER 0.5 UNDER	± 0.05	MTAKASHI MA01	2015/08/28	0.4 BB CONN H=0.75 BATTERY PLUG O/M EMBSTP PKG			
	0.5 OVER 1.0 UNDER	± 0.1	CHECKED BY	DATE				
1.0 OVER 30 UNDER	± 0.2	RTAKEUCHI	2015/08/31					
10 OVER 30 UNDER	± 0.25	APPROVED BY	DATE	DOCUMENT NO.		SHEET NO.		
30 OVER	± 0.3	KMORIKAWA	2015/10/05	SD-505006-004		1 OF 2		
ANGULAR	± 1 °	MATERIAL NO.		SEE SHEET 2				
DRAFT WHERE APPLICABLE MUST REMAIN WITHIN DIMENSIONS				SIZE A3	THIS DRAWING CONTAINS INFORMATION THAT IS PROPRIETARY TO MOLEX INCORPORATED AND SHOULD NOT BE USED WITHOUT WRITTEN PERMISSION			



505006-0820	○	---	8
EMBOSSSED TAPE PACKAGE	量産品 MASS PRODUCTION	試作対応可 LOW VOL. TOOL	極数
オーダー番号 ORDER NO.	サンプル供給 SAMPLE PREPARATION		CIRCUIT
MODEL No.	505006-**20		

SEE SHEET 1 EC NO: J2016-0047 DRAWN: MTAKASHIMA01 2015/09/01 CHKD: RTAKEUCHI 2015/09/01 APPR: KMORIKAWA 2015/10/05	GENERAL TOLERANCES (UNLESS SPECIFIED)		DIMENSION STYLE		SCALE	DESIGN UNITS	THIRD ANGLE PROJECTION
	0.25 UNDER ± 0.03		MM ONLY		2:1	METRIC	
	0.25 OVER 0.5 UNDER ± 0.05		DRAWN BY DATE		TITLE		
	0.5 OVER 1.0 UNDER ± 0.1		MTAKASHIMA01 2015/08/28		0.4 BB CONN H=0.75 BATTERY PLUG 0/M EMBSTP PKG		
1.0 OVER 10 UNDER ± 0.2		CHECKED BY DATE		DOCUMENT NO.		SHEET NO.	
10 OVER 30 UNDER ± 0.25		RTAKEUCHI 2015/08/31		SD-505006-004		2 OF 2	
30 OVER ± 0.3		APPROVED BY DATE		THIS DRAWING CONTAINS INFORMATION THAT IS PROPRIETARY TO MOLEX INCORPORATED AND SHOULD NOT BE USED WITHOUT WRITTEN PERMISSION			
ANGULAR ± 1 °		KMORIKAWA 2015/10/05					
DRAFT WHERE APPLICABLE MUST REMAIN WITHIN DIMENSIONS		MATERIAL NO.					
1		SEE CHART					