

**MATERIALS AND FINISHES:**

BODY, JAM NUT: BRASS  
FINISH: SEE TABLE

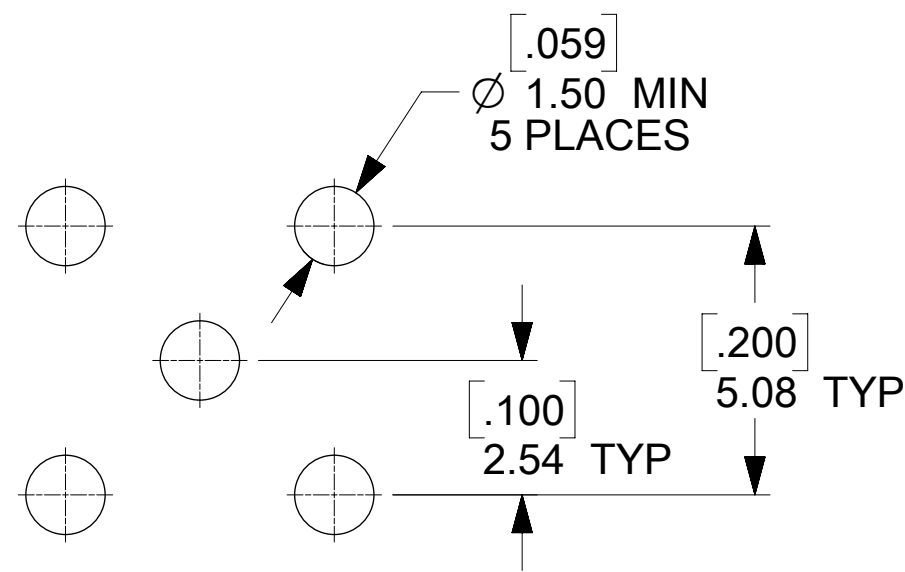
CENTER CONTACT: BERYLLIUM COPPER  
PLATED GOLD

INSULATOR: TEFLON

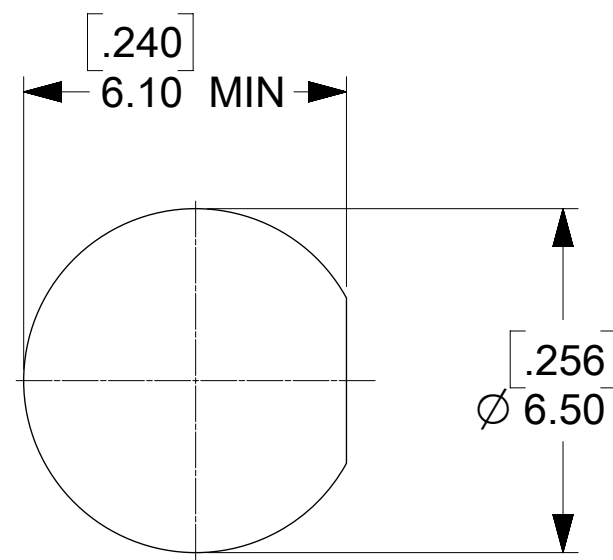
LOCKWASHER: PHOSPHOR BRONZE  
FINISH: SEE TABLE

**ELECTRICAL REQUIREMENTS:**

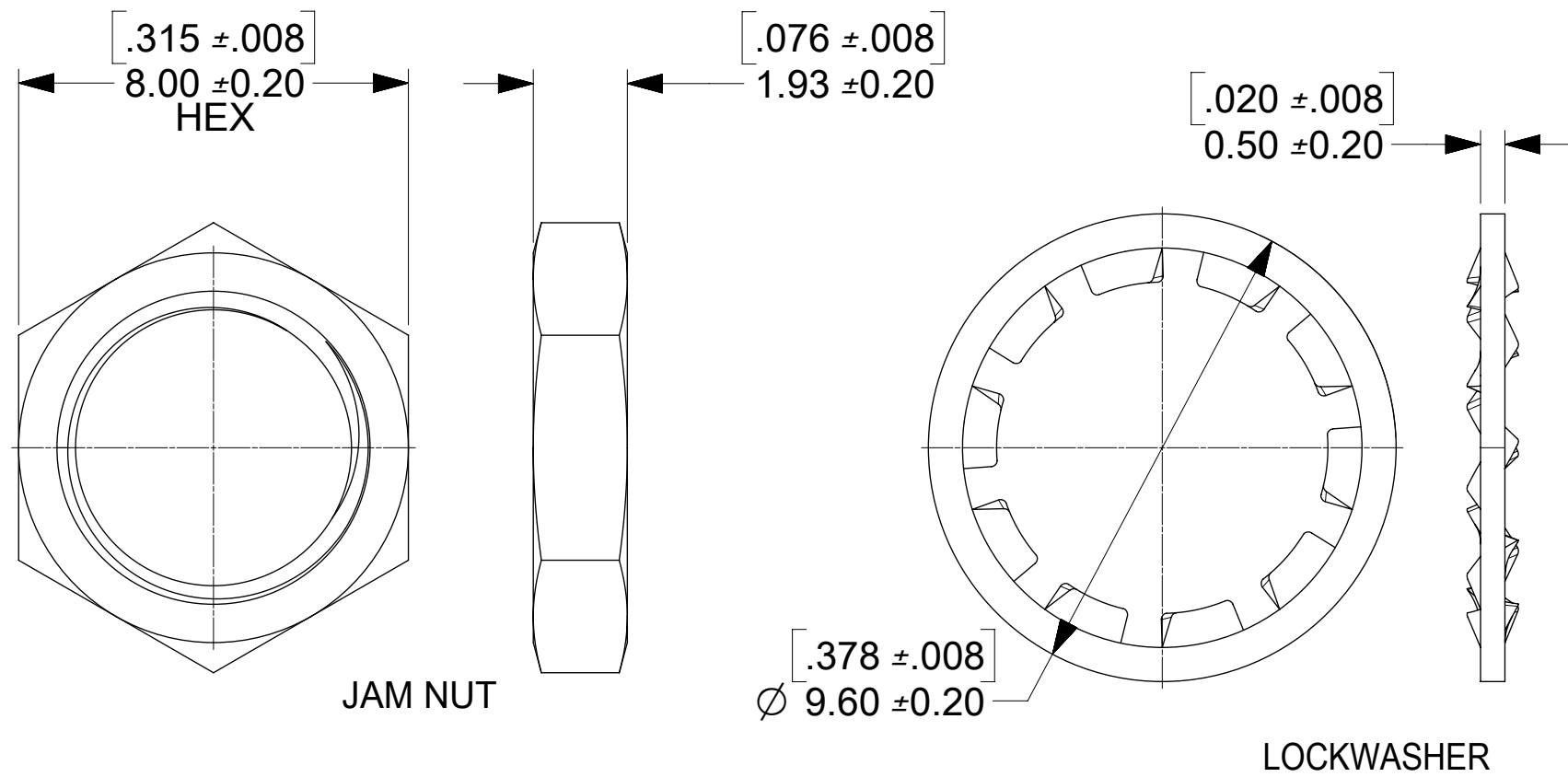
- VOLTAGE STANDING WAVE RATIO
  - 1.1(MAX) @0-6GHz.
  - 1.5(MAX) @6-12GHz.
  - 1.8(MAX) @12-18GHz.
- RF INSERTION LOSS:
  - 0.1(MAX) @0-6GHz.
  - 0.4(MAX) @6-12GHz.
  - 0.7(MAX) @12-18GHz.



RECOMMENDED PCB LAYOUT

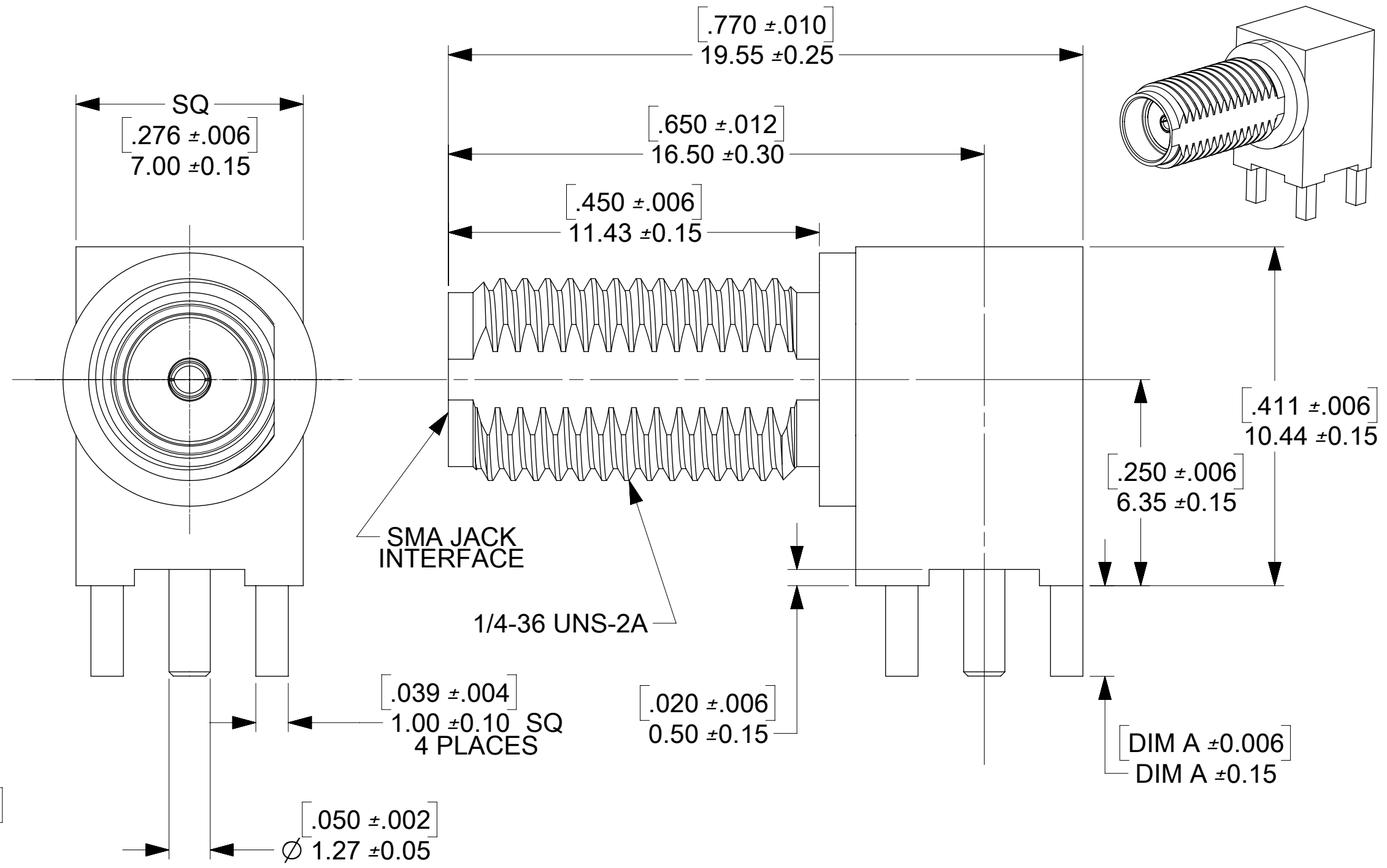


RECOMMENDED PANEL CUTOUT



JAM NUT

LOCKWASHER



SEE SD-73251-496 FOR PART NO. CONTINUATION

73251-2209	GOLD FLASH / STANDARD TRAY	3.94	.155
73251-2208	GOLD FLASH/STANDARD TRAY W/O WASHER AND NUT	3.94	.155
73251-2207	73251-2201 PACKAGED ONE PER BAG	2.79	.110
73251-2206	SAME AS 73251-2201 EXCEPT COMMERCIAL CONTACT	2.79	.110
73251-2205	SAME AS 73251-2200 EXCEPT COMMERCIAL CONTACT	2.79	.110
73251-2204	GOLD FLASH/STANDARD TRAY W/O WASHER AND NUT	2.79	.110
73251-2203	GOLD FLASH / STANDARD TRAY (54 CAVITY)	2.79	.110
73251-2202	73251-2201 PACKAGED IN SMALL TRAY (20 CAVITY)	2.79	.110
73251-2201	GOLD / STANDARD TRAY	2.79	.110
73251-2200	NICKEL / STANDARD TRAY	2.79	.110
PART NO.	PLATING (BODY, NUT, LOCKWASHER) AND PACKAGING	mm	IN
		DIM A	

PS-89675-3460	ELECTRO/MECH PERFORM.
SPECIFICATION	DESCRIPTION

REVISION	DESCRIPTION
D13	ADD TOLERANCE FOR DIMENSIONS PER EWR12457-A
D12	ADD TESTING ITEM OF PRODUCT SPEC ON DRAWING

SYMBOLS		THIS DRAWING CONTAINS INFORMATION THAT IS PROPRIETARY TO MOLEX ELECTRONIC TECHNOLOGIES, LLC AND SHOULD NOT BE USED WITHOUT WRITTEN PERMISSION	
DIMENSION UNITS	SCALE	CURRENT REV DESC:	
mm	NTS		
GENERAL TOLERANCES (UNLESS SPECIFIED)		EC NO: 604333	
ANGULAR TOL	± °	DRWN: CWEI02	2018/09/06
4 PLACES	±	CHK'D: YCHENG	2018/09/17
3 PLACES	±	APPR: YCHENG	2018/09/17
2 PLACES	±	INITIAL REVISION:	
1 PLACE	±	DRWN: AROBERTSON	2012/11/21
0 PLACES	±	APPR: JWIENER	2012/11/21
DRAFT WHERE APPLICABLE MUST REMAIN WITHIN DIMENSIONS		THIRD ANGLE PROJECTION	DRAWING
		C-SIZE	SERIES
		73251	
		MATERIAL NUMBER	CUSTOMER
		SEE TABLE	GENERAL MARKET
		SHEET NUMBER	
		1 OF 1	

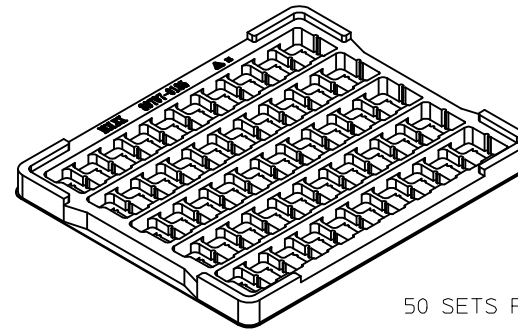
**SMA JACK, R/A PCB 50 OHM  
SMA-J/RA/PCB EWR-2144**

PRODUCT CUSTOMER DRAWING

DOCUMENT NUMBER	DOC TYPE	DOC PART	REVISION
SD-73251-220	PSD	000	D13

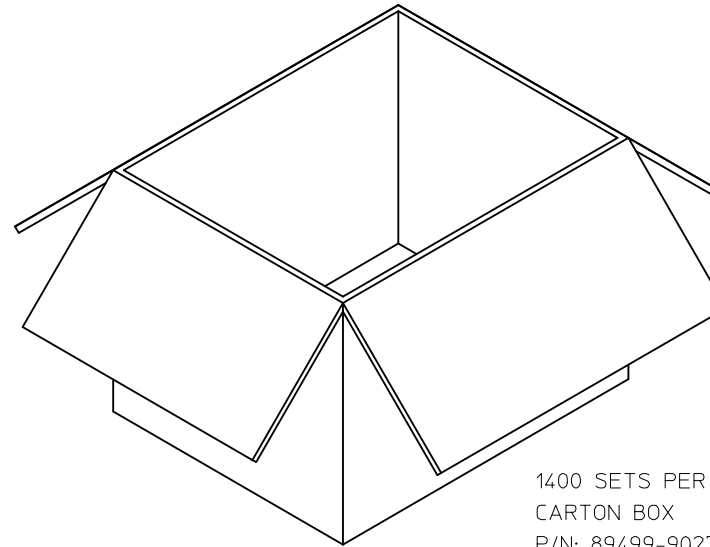


P/N: 73251-2200 / 73251-2201  
 73251-2205 / 73251-2206  
 73251-2208 / 73251-2209



50 SETS PER TRAY  
 TRAY P/N: 89707-0185

FOR 73251-2200, 73251-2201,  
 73251-2205, 73251-2206,  
 73251-2208, AND 73251-2209

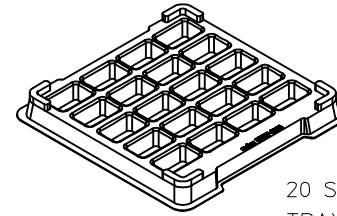


1400 SETS PER OUTER  
 CARTON BOX  
 P/N: 89499-9027

<b>CHG NEW RELEASE          PER RF13-E131</b> EC NO: URF2013-0734 DRAWN BY: RYEH CHKD: KERRIE APPR: MHUANG 2013/06/28 2013/07/26	QUALITY SYMBOLS	GENERAL TOLERANCES (UNLESS SPECIFIED)	DIMENSION STYLE	SCALE	DESIGN UNITS	THIRD ANGLE PROJECTION
	▽=0	mm INCH	MM/IN	2.5:1	METRIC	
	▽=0	4 PLACES ± --- ± ---	DRAWN BY DATE	TITLE		
	▽=0	3 PLACES ± --- ± ---	CHECKED BY DATE	SMA JACK R/A PCB TH		
		2 PLACES ± --- ± ---	APPROVED BY DATE	50 OHMS		
		1 PLACE ± --- ± ---	MHUANG 2013/07/26	SMA-J/PCB		
		0 PLACE ± --- ± ---		<b>molex</b>		
		ANGULAR ± 2°	MATERIAL NO.	DOCUMENT NO.	SHEET NO.	
		DRAFT WHERE APPLICABLE MUST REMAIN WITHIN DIMENSIONS	SEE TABLE	SD-73251-220-PKG	1 OF 4	
			SIZE C	THIS DRAWING CONTAINS INFORMATION THAT IS PROPRIETARY TO MOLEX INCORPORATED AND SHOULD NOT BE USED WITHOUT WRITTEN PERMISSION		

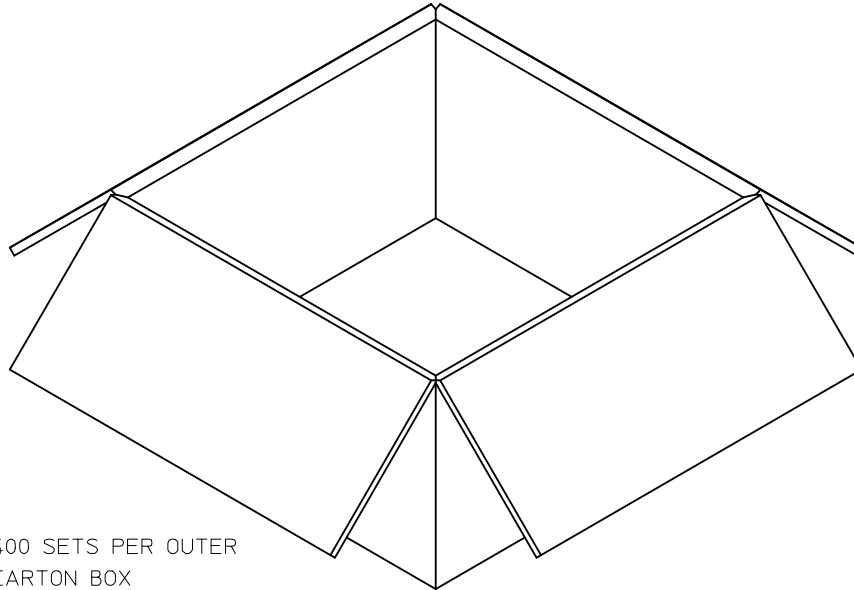


P/N: 73251-2202

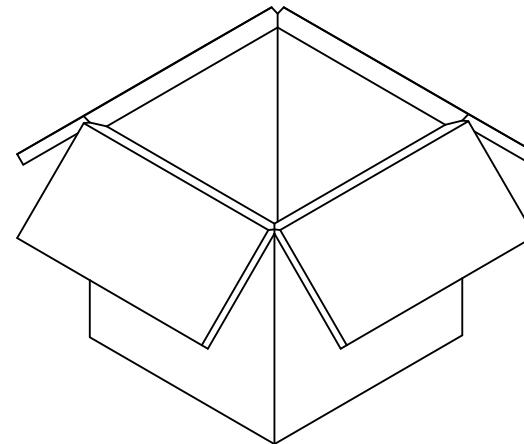


20 SETS PER TRAY  
TRAY P/N: 89707-0308

FOR 73251-2202 ONLY



400 SETS PER OUTER  
CARTON BOX  
P/N: 96707-0002



200 SETS PER INNER  
CARTON BOX  
P/N: 96707-0005

CHG:SEE SHEET 1  
EC NO: URF2013-0734  
DRAWN:RYEH 2013/06/28  
CHKD:  
APPR:MHUANG 2013/07/26

REV	DESCRIPTION	QUALITY SYMBOLS
A		▽=0
		▽=0
		▽=0

GENERAL TOLERANCES (UNLESS SPECIFIED)

	mm	INCH
4 PLACES	± .005	± .0004
3 PLACES	± .005	± .0004
2 PLACES	± .005	± .0004
1 PLACE	± .005	± .0004
0 PLACE	± .005	± .0004

ANGULAR ± 2 °

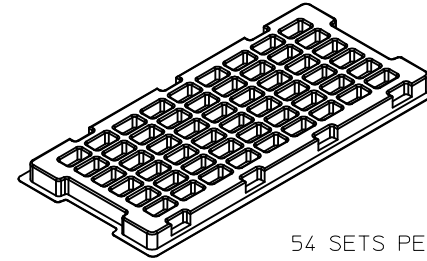
DRAFT WHERE APPLICABLE MUST REMAIN WITHIN DIMENSIONS

DIMENSION STYLE		SCALE		DESIGN UNITS	
MM/IN		2:1		METRIC	
DRAWN BY	DATE	TITLE			
RYEH	2013/06/28	SMA JACK R/A PCB TH			
CHECKED BY	DATE	50 OHMS			
KERRIE	2013/06/28	SMA-J/PCB			
APPROVED BY	DATE	<b>molex</b>			
MHUANG	2013/07/26				
MATERIAL NO.	DOCUMENT NO.	SHEET NO.			
SEE TABLE	SD-73251-220-PKG	2 OF 4			

THIS DRAWING CONTAINS INFORMATION THAT IS PROPRIETARY TO MOLEX INCORPORATED AND SHOULD NOT BE USED WITHOUT WRITTEN PERMISSION

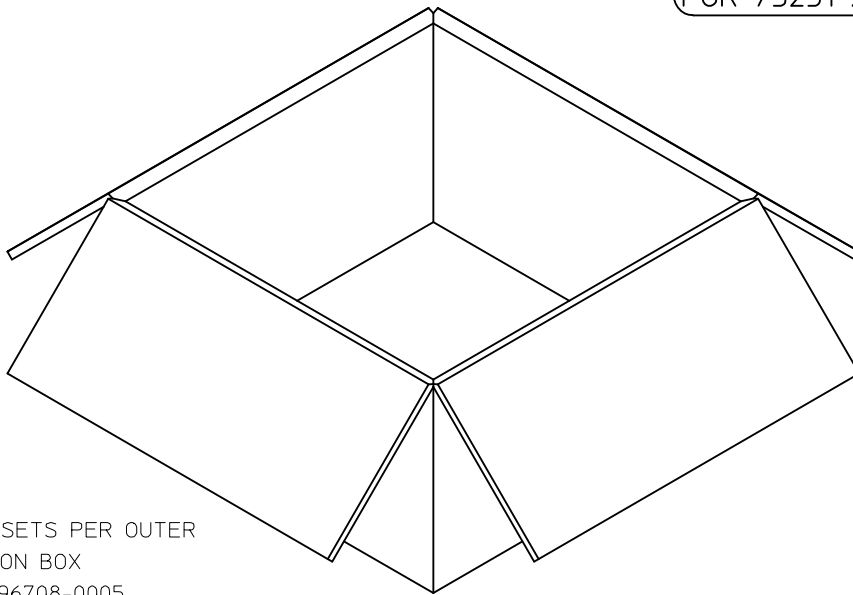


P/N: 73251-2203 / 73251-2204

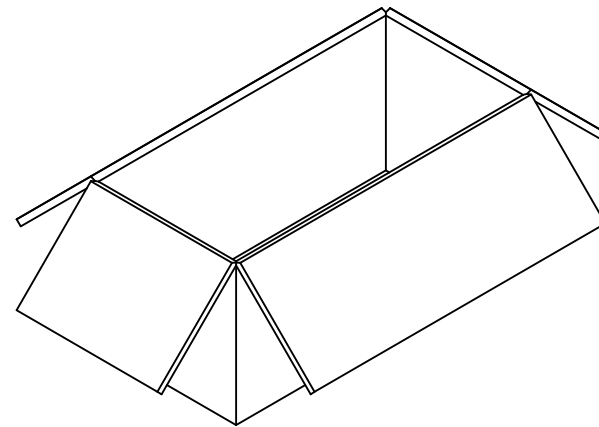


54 SETS PER TRAY  
TRAY P/N: 89707-0220

FOR 73251-2203 AND 73251-2204



1080 SETS PER OUTER  
CARTON BOX  
P/N: 96708-0005



540 SETS PER INNER  
CARTON BOX  
P/N: 96707-0001

CHG:SEE SHEET 1  
EC NO: URF2013-0734  
DRAWN:RYEH 2013/06/28  
CHKD:  
APPR:MHUANG 2013/07/26

REV	DESCRIPTION
A	

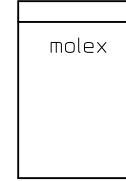
QUALITY SYMBOLS	DESCRIPTION
	=0
	=0
	=0

GENERAL TOLERANCES (UNLESS SPECIFIED)	
mm	INCH
4 PLACES ± .005	± .0002
3 PLACES ± .005	± .0002
2 PLACES ± .005	± .0002
1 PLACE ± .005	± .0002
0 PLACE ± .005	± .0002
ANGULAR ± 2°	

DIMENSION STYLE		SCALE	DESIGN UNITS	THIRD ANGLE PROJECTION
MM/IN		2:1	METRIC	
DRAWN BY	DATE	TITLE		
RYEH	2013/06/28	SMA JACK R/A PCB TH		
CHECKED BY	DATE	50 OHMS		
KERRIE	2013/06/28	SMA-J/PCB		
APPROVED BY	DATE	<b>molex</b>		
MHUANG	2013/07/26	MATERIAL NO.	DOCUMENT NO.	SHEET NO.
		SEE TABLE	SD-73251-220-PKG	3 OF 4
DRAFT WHERE APPLICABLE MUST REMAIN WITHIN DIMENSIONS				
THIS DRAWING CONTAINS INFORMATION THAT IS PROPRIETARY TO MOLEX INCORPORATED AND SHOULD NOT BE USED WITHOUT WRITTEN PERMISSION				

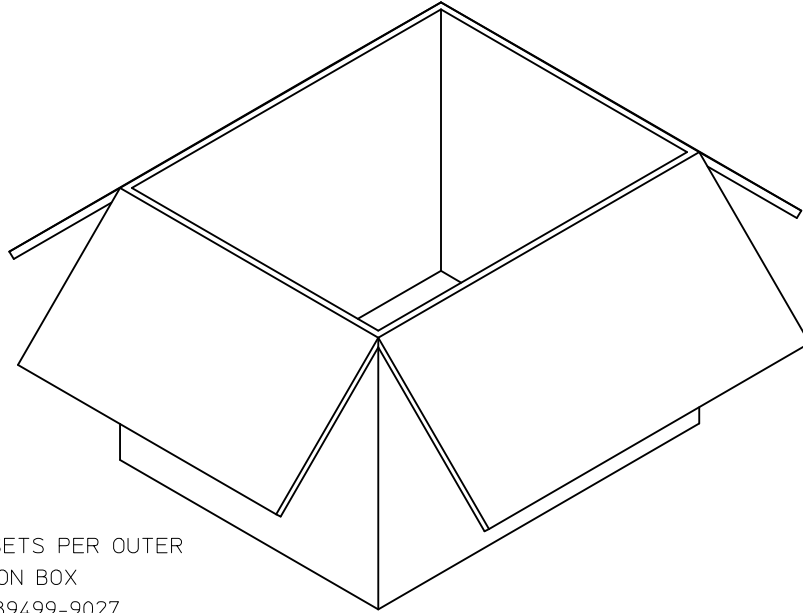


P/N: 73251-2207

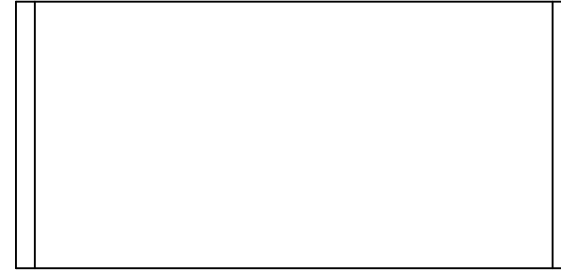


1 SET PER POLYBAG  
P/N: 89707-0317

FOR 73251-2207 ONLY



500 SETS PER OUTER  
CARTON BOX  
P/N: 89499-9027



50 SETS PER POLYBAG  
P/N: 89707-0174

CHG:SEE SHEET 1  
EC NO: URF2013-0734  
DRAWN:RYEH 2013/06/28  
CHKD:  
APPR:MHUANG 2013/07/26

REV	DESCRIPTION	QUALITY SYMBOLS
A		▽=0
		▽=0
		▽=0

GENERAL TOLERANCES (UNLESS SPECIFIED)

	mm	INCH
4 PLACES	± .005	± .0004
3 PLACES	± .005	± .0004
2 PLACES	± .005	± .0004
1 PLACE	± .005	± .0004
0 PLACE	± .005	± .0004

ANGULAR ± 2 °

DRAFT WHERE APPLICABLE MUST REMAIN WITHIN DIMENSIONS

DIMENSION STYLE		SCALE	DESIGN UNITS	THIRD ANGLE PROJECTION
MM/IN		1:1	METRIC	
DRAWN BY	DATE	TITLE SMA JACK R/A PCB TH 50 OHMS SMA-J/PCB <b>molex</b>		
RYEH	2013/06/28			
CHECKED BY	DATE			
KERRIE	2013/06/28			
APPROVED BY	DATE	DOCUMENT NO. SD-73251-220-PKG		
MHUANG	2013/07/26			
MATERIAL NO.		SHEET NO.		
SEE TABLE		4 OF 4		

THIS DRAWING CONTAINS INFORMATION THAT IS PROPRIETARY TO MOLEX INCORPORATED AND SHOULD NOT BE USED WITHOUT WRITTEN PERMISSION

MATERIALS AND FINISHES:

BODY, JAM NUT: BRASS  
FINISH: SEE TABLE

CENTER CONTACT: BERYLLIUM COPPER  
PLATED GOLD

INSULATOR: TEFLON

LOCK WASHER: PHOSPHOR BRONZE  
FINISH: SEE TABLE

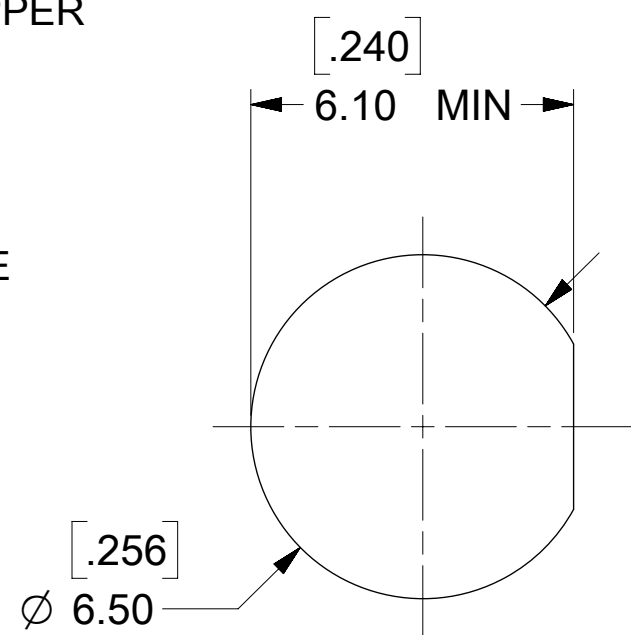
ELECTRICAL REQUIREMENTS:

1. VOLTAGE STANDING WAVE RATIO

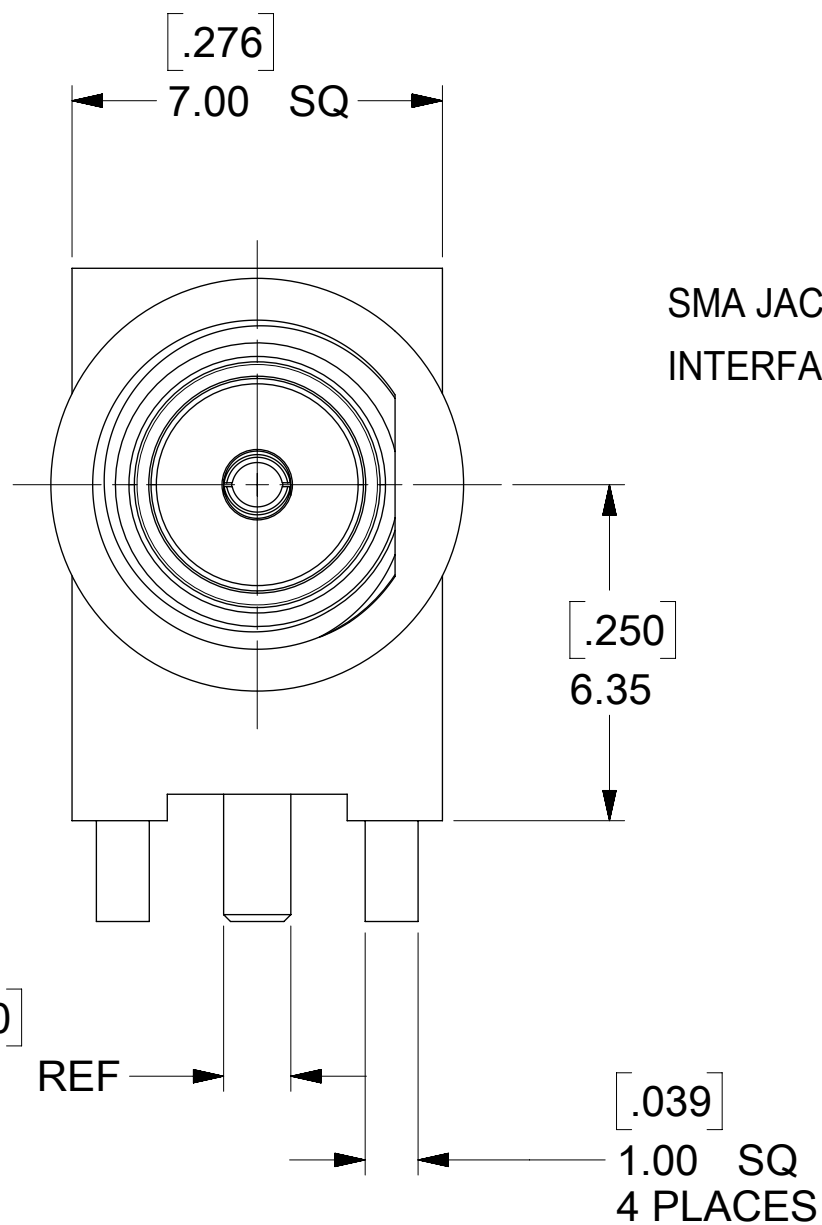
- 1.1(MAX) @0-6GHz.
- 1.5(MAX) @6-12GHz.
- 1.8(MAX) @12-18GHz.

2. RF INSERTION LOSS:

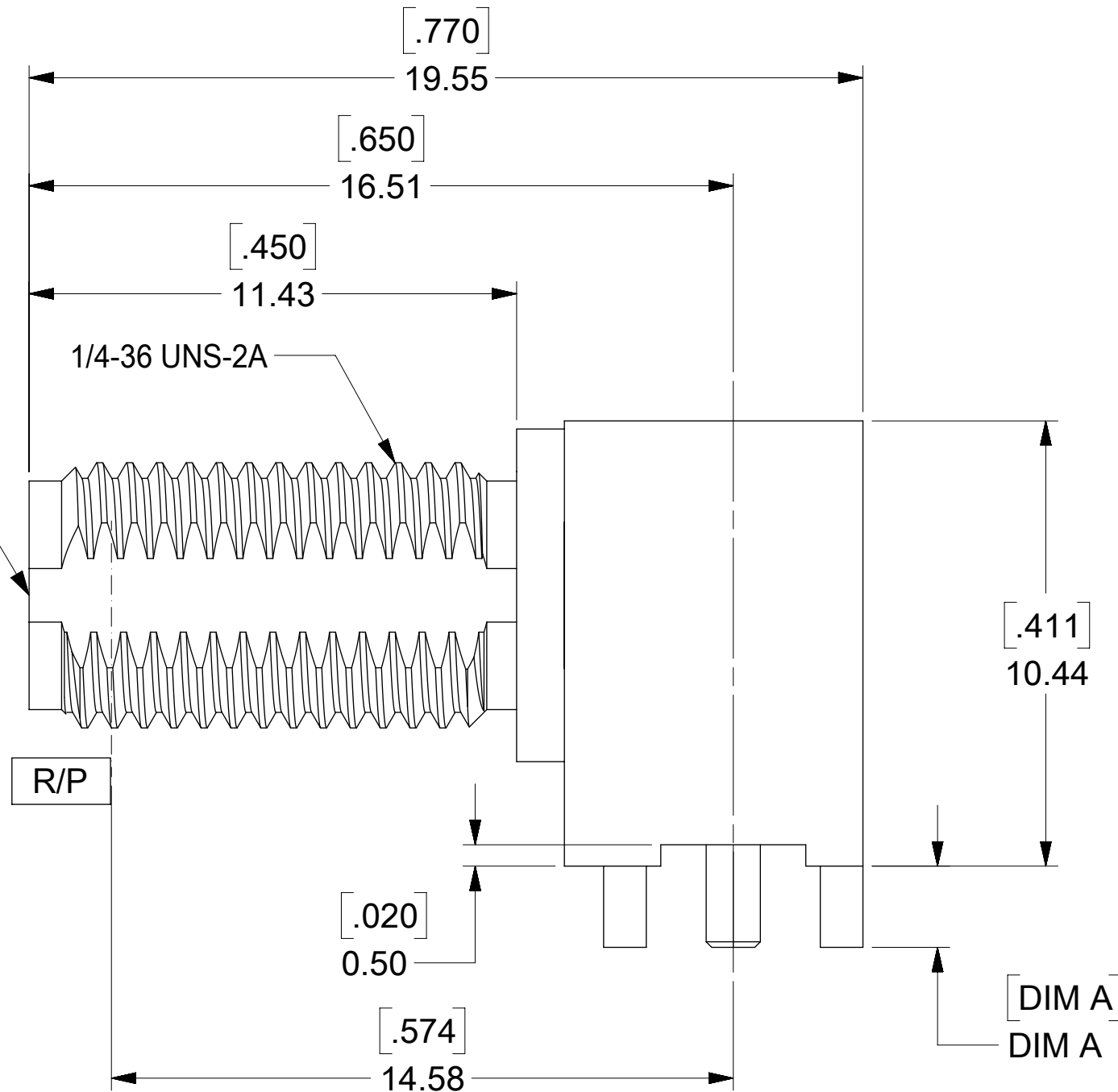
- 0.1(MAX) @0-6GHz.
- 0.4(MAX) @6-12GHz.
- 0.7(MAX) @12-18GHz.



PANEL CUTOUT  
3.42 / .135 MAX  
THICKNESS

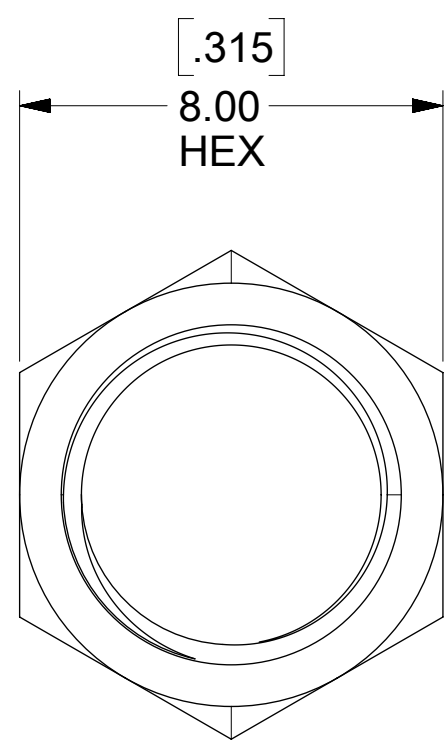
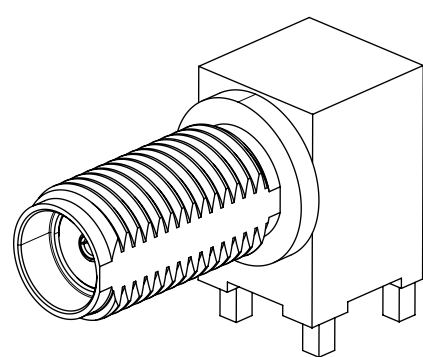


SMA JACK  
INTERFACE

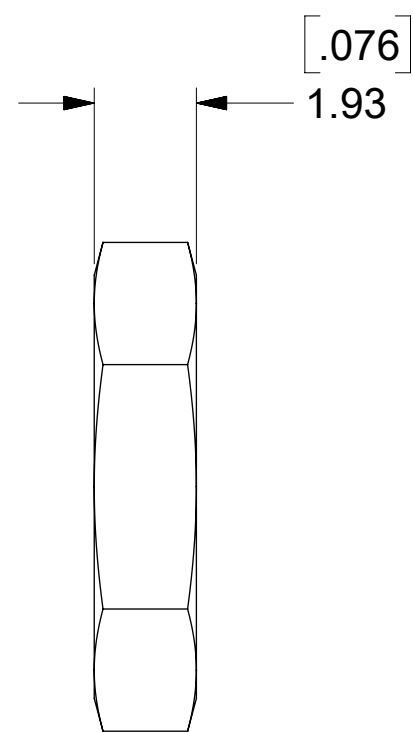


R/P

DIM A  
DIM A

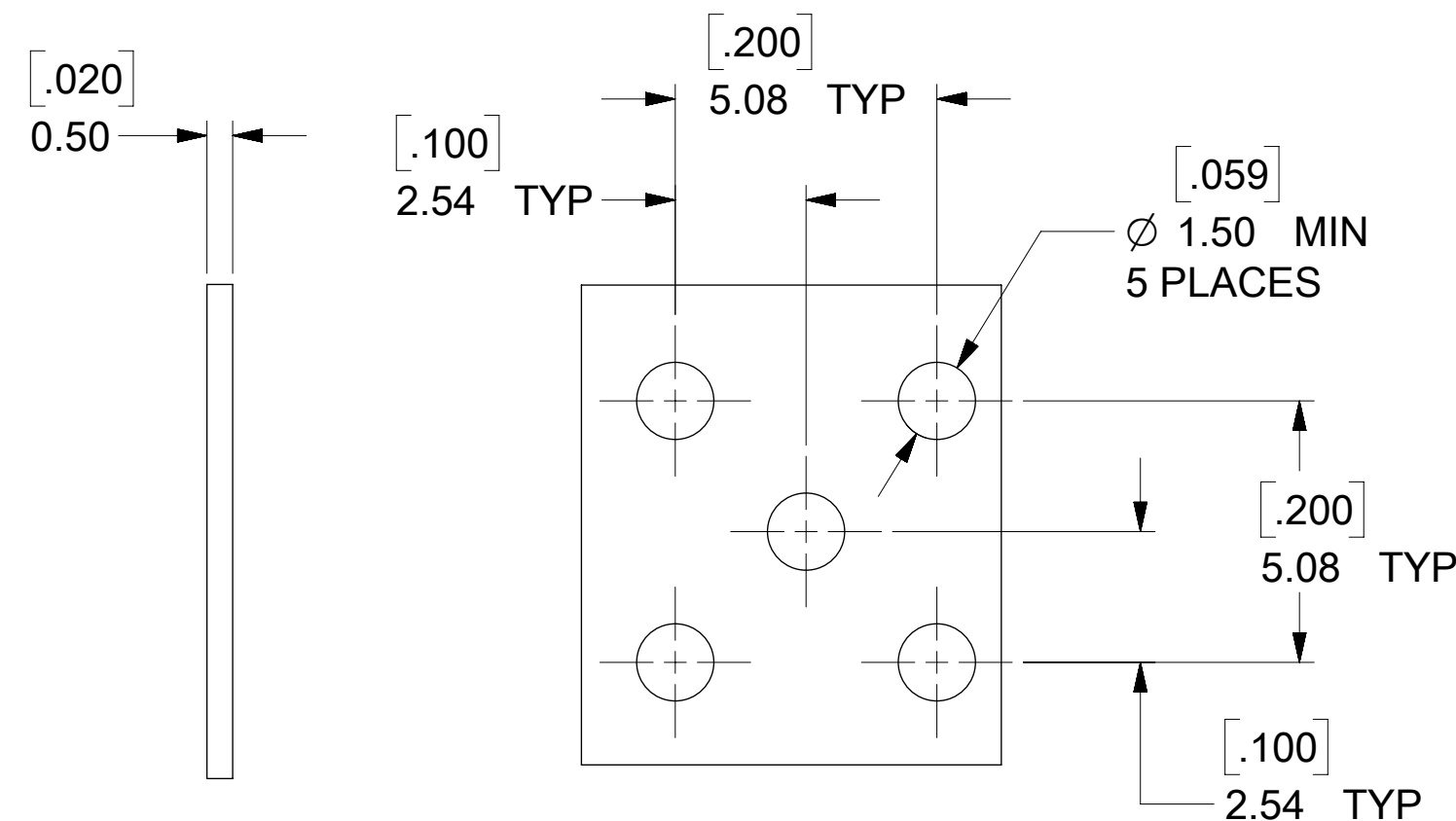


JAM NUT



Ø 9.60

LOCK WASHER



SD-73251-496 IS CONTINUATION FOR SD-73251-220

PART NO.	JAM NUT QTY	LOCK WASHER QTY	MM / IN	PLATING (BODY, NUT, LOCKWASHER) PACKAGING
73251-4963	NOT INCLUDED	NOT INCLUDED	2.79 / .110	GOLD / STANDARD TRAY
73251-4962	1	NOT INCLUDED	2.79 / .110	NICKEL PLATED/ STANDARD TRAY
73251-4961	2	1	3.94 / .155	GOLD FLASH / STANDARD TRAY
73251-4960	1	1	1.91 / .075	GOLD FLASH / STANDARD TRAY
	INCLUDED	INCLUDED	DIM A	

REVISION	DESCRIPTION
B4	ADD TESTING ITEM OF PRODUCT SPEC ON DRAWING
B3	BASE ON 73251-2201 TO ADD NEW PART NUMBER TO REMOVE LOCK WASHER AND JAM NUT

PS-89675-3460	PRODUCT SPECIFICATION
MIL-STD-348A, FIG. 310.2	INTERFACE
SPECIFICATION	DESCRIPTION

THIS DRAWING CONTAINS INFORMATION THAT IS PROPRIETARY TO MOLEX ELECTRONIC TECHNOLOGIES, LLC AND SHOULD NOT BE USED WITHOUT WRITTEN PERMISSION

PDR17022392 EC NO: 119672 DRWN: JSU18 CHKD: YCHENG REV: APPR: YCHENG	2017/07/21	2017/08/01	GENERAL TOLERANCES (UNLESS SPECIFIED)	DIMENSION UNITS: MM	SCALE: 1:1	
	ANGULAR TOL ± °		JLEE02	DATE: 2014/03/28	SMA JACK RA BLKHD RM PCB TH SMA-J/RA/PCB, EWR-2144	
	4 PLACES ±	3 PLACES ±	CHKD BY	DATE		
	2 PLACES ±	1 PLACE ±	0 PLACES ±	APPR BY: WSPINK	DATE: 2014/03/28	
DRAFT WHERE APPLICABLE MUST REMAIN WITHIN DIMENSIONS			DRAWING SIZE: C	THIRD ANGLE PROJECTION	PRODUCT CUSTOMER DRAWING	
SERIES: 73251		MATERIAL NUMBER		CUSTOMER: GENERAL MARKET		
DOCUMENT NUMBER: SD-73251-496		DOC TYPE: PSD	DOC PART: 000	SHEET NUMBER: 1 OF 1		