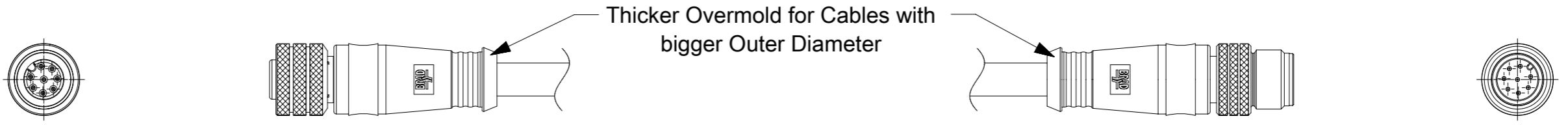
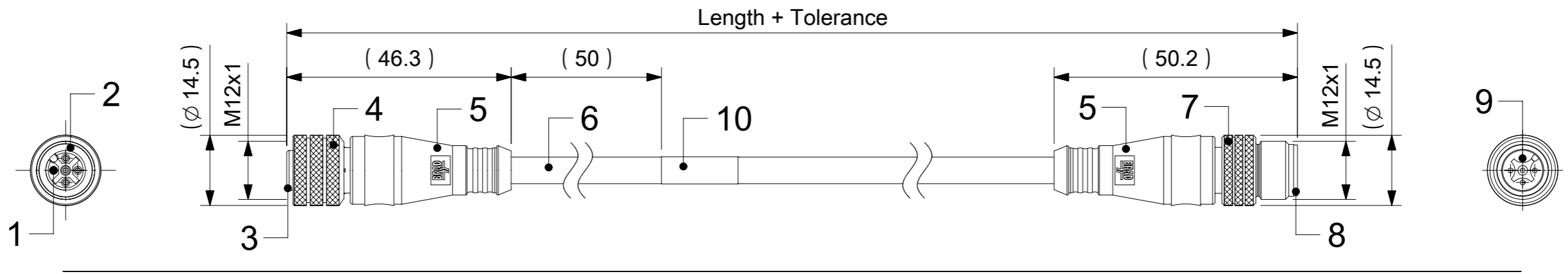


FEMALE PLUG M12 STRAIGHT TO MALE PLUG M12 STRAIGHT



NOTES:

RATED VOLTAGE: 3, 4 contacts 250V per IEC 60664
 5 contacts 60V per IEC 60664
 5 contacts 250V per UL 2238
 8 contacts 30V per IEC 60664

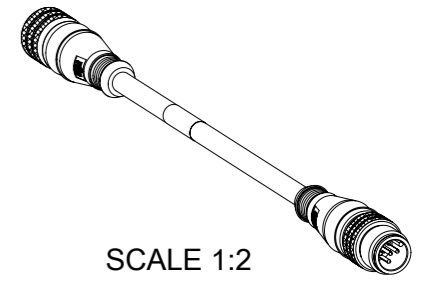
RATED CURRENT: 3, 4, 5 contacts 4A
 8 contacts 2A

PROTECTION CLASS: IP 67
 TEMPERATURE: -25°C / +85°C

CONTACTS POSITION FRONT VIEW:

	3 CONTACTS		4 CONTACTS		5 CONTACTS		8 CONTACTS	
FEMALE								
MALE								
CONNECTIONS	PIN	WIRE	PIN	WIRE	PIN	WIRE	PIN	WIRE
	1	BROWN	1	BROWN	1	BROWN	1	WHITE
	2	-	2	WHITE	2	WHITE	2	BROWN
	3	BLUE	3	BLUE	3	BLUE	3	GREEN
	4	BLACK	4	BLACK	4	BLACK	4	YELLOW
					5	GREY	5	GREY
							6	PINK
							7	BLUE
						8	RED	

CODING REQUIRED TO IEC 61076-2-101



FOR OPTIONS SEE - NUMERICAL CODE - ON SHEET 2

ITEM	QTY.	DESCRIPTION	MATERIAL	FINISH
10	1	LABEL YELLOW	VINYL	-
9	3 / 4 / 5 / 8	CONTACT MALE	BRASS	SELECTIVE GOLD OVER NICKEL
8	1	INSERT MALE BLACK	TPU	-
7	1	COUPLING NUT MALE	BRASS	NICKEL
6	-	CABLE	SEE SHEET 2	-
5	-	OVERMOULDING BLACK	TPU	-
4	1	COUPLING NUT FEMALE	BRASS	NICKEL
3	1	INSERT FEMALE BLACK	PUR	-
2	1	O-RING RED	FPM	-
1	3 / 4 / 5 / 8	CONTACT FEMALE	BRASS	SELECTIVE GOLD OVER NICKEL

THIS DRAWING CONTAINS INFORMATION THAT IS PROPRIETARY TO MOLEX ELECTRONIC TECHNOLOGIES, LLC AND SHOULD NOT BE USED WITHOUT WRITTEN PERMISSION

SYMBOLS: DIMENSION UNITS: mm SCALE: 1:1

GENERAL TOLERANCES (UNLESS SPECIFIED): ANGULAR TOL ± 1.0°

EC NO: 601917
 DRWN: FDAFERNER 2018/07/25
 CHK'D: RSILLER 2018/07/25
 APPR: RSILLER 2018/07/25

INITIAL REVISION:
 DRWN: JMARSZALEK 2016/09/16
 APPR: RSILLER 2016/12/08

THIRD ANGLE PROJECTION

molex

CSE M12 XP AC FE STR MA STR XM DE

PRODUCT CUSTOMER DRAWING

DOCUMENT NUMBER: 1200668084 DOC TYPE: PSD DOC PART: 000 REVISION: A7

DRAFT WHERE APPLICABLE MUST REMAIN WITHIN DIMENSIONS

A3-SIZE 120066 SEE SHEET 3-4 GENERAL MARKET 1 OF 4

ENGINEERING NO. - NUMERICAL CODE (Available parts see PART LIST table. Other parts available upon request).

OPTIONS

8 8 X 0 3 0 X X X X X X X X

88=Micro-Change
M12x1
Double ended

Contacts:
3=3 Contacts
4=4 Contacts
5=5 Contacts
8=8 Contacts

Heads style:
030=Plug Female Straight
to Plug Male Straight

Cable type: See Table

Units:
M=Meter
C=Centimeter

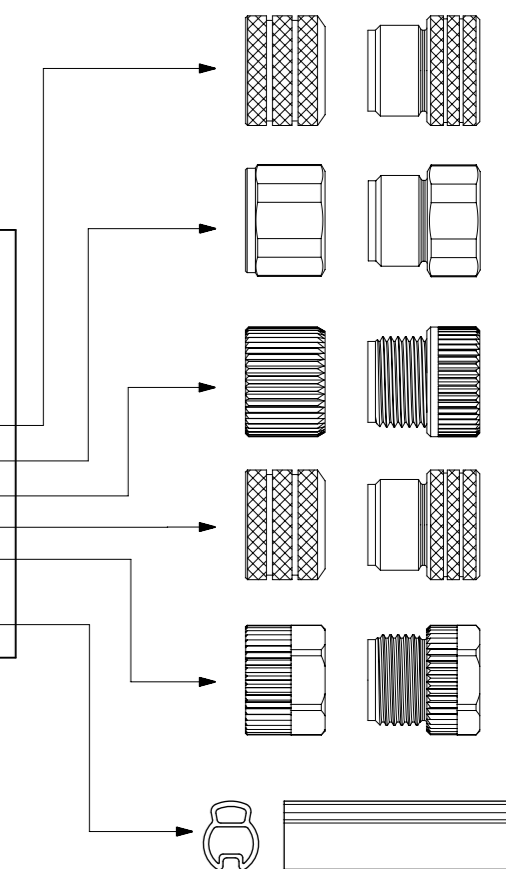
Length
Examples:
005=0.5 unit
010=1 unit
100=10 units

Overmold color:
Blank (Standard)=Black
A=Grey / G=Black / Y=Yellow

Coupling Nut:
Blank (Standard) & 3=Knurled Brass Ni Plated
1=Hexagonal Stainless steel
5=Knurled Derlin
7=Knurled Brass Ni Plated, Teflon Coated
9=Knurled / Hexagonal Brass Ni Plated SW13

H= 2 pcs. of I/D Carrier PVC Transparent

COUPLING NUTS
FEMALE MALE



CABLE INFORMATION (for more information see Cable Data Sheet).

CABLE TYPE	NO. OF WIRES	CROSS SECTION	CABLE JACKET	UL	CSA	STATIC: TEMP. / BENDING RADIUS	DYNAMIC: TEMP. / BENDING RADIUS	DRAG CHAIN	SHIELD
E02	3 / 4 / 5 / 8	0.25mm ²	PVC BLACK	UL 2464/1729	C22.2 I/II A/B 80°C/300V	-30°C to +80°C, 10xO.D.	-10°C to +80°C, 15xO.D.	-	-
E03	3 / 4 / 5	0.34mm ²	PVC BLACK	UL 2464/1729	C22.2 I/II A/B 80°C/300V	-30°C to +80°C, 10xO.D.	-10°C to +80°C, 15xO.D.	-	-
H08	3 / 4 / 5 / 8	0.25mm ²	PUR BLACK LS0H	UL 21198/10493	C22.2 I/II A/B 80°C/300V	-40°C to +80°C, 5xO.D.	-25°C to +80°C, 10xO.D.	2 000 000 cycles at 20°C, Temp. range +5°C to +60°C	-
H09	3 / 4 / 5	0.34mm ²	PUR BLACK LS0H	UL 21198/10493	C22.2 I/II A/B 80°C/300V	-40°C to +80°C, 5xO.D.	-25°C to +80°C, 10xO.D.	2 000 000 cycles at 20°C, Temp. range +5°C to +60°C	-
P02	3 / 4 / 5 / 8	0.25mm ²	PUR / PVC BLACK	-	-	-30°C to +80°C, 7xO.D.	-5°C to +80°C, 15xO.D.	-	-
P03	3 / 4 / 5	0.34mm ²	PUR / PVC BLACK	-	-	-30°C to +80°C, 7xO.D.	-5°C to +80°C, 15xO.D.	-	-

CABLE LENGTH TOLERANCES

OVER [mm]	UP TO AND INCLUDING [mm]	TOLERANCES [mm]
0	305	+19
305	915	+45
915	1830	+56
1830	3660	+89
3660	7320	+165
7320	14640	+317
14640	30500	+610
30500	>	+2% of finished length

THIS DRAWING CONTAINS INFORMATION THAT IS PROPRIETARY TO MOLEX ELECTRONIC TECHNOLOGIES, LLC AND SHOULD NOT BE USED WITHOUT WRITTEN PERMISSION

SYMBOLS: DIMENSION UNITS: mm SCALE: 1:1

GENERAL TOLERANCES (UNLESS SPECIFIED): ANGULAR TOL ± 1.0°

CURRENT REV DESC: ADD PN'S

EC NO: 601917
DRWN: FDAFERNER 2018/07/25
CHK'D: RSILLER 2018/07/25
APPR: RSILLER 2018/07/25

INITIAL REVISION:
DRWN: JMARSZALEK 2016/09/16
APPR: RSILLER 2016/12/08

THIRD ANGLE PROJECTION

DRAWING: A3-SIZE SERIES: 120066 MATERIAL NUMBER: SEE SHEET 3-4 CUSTOMER: GENERAL MARKET SHEET NUMBER: 2 OF 4

DOCUMENT NUMBER: 1200668084 DOC TYPE: PSD DOC PART: 000 REVISION: A7

PRODUCT CUSTOMER DRAWING

molex

CSE M12 XP AC FE STR MA STR XM DE

PART LIST

No.	MOLEX PN	Engineering No.	Length
1	1200060049	884030E03M050	5m
2	1200060050	884030P03M015	1.5m
3	1200060051	884030P03M030	3m
4	1200070081	883030E03M006	0.6m
5	1200070083	883030E03M010	1m
6	1200070085	883030E03M020	2m
7	1200070086	883030E03M0205	2m
8	1200070088	883030E03M030	3m
9	1200070091	883030E03M050	5m
10	1200070092	883030E03M0505	5m
11	1200070093	883030E03M100	10m
12	1200070102	883030P03M003	0.3m
13	1200070104	883030P03M006	0.6m
14	1200070105	883030P03M100	10m
15	1200070470	884030E03M003	0.3m
16	1200070472	884030E03M006	0.6m
17	1200070473	884030E03M010	1m
18	1200070474	884030E03M020	2m
19	1200070475	884030E03M030	3m
20	1200070476	884030E03M100	10m
21	1200070486	884030P03M003	0.3m
22	1200070487	884030P03M006	0.6m
23	1200070488	884030P03M010	1m
24	1200070489	884030P03M020	2m
25	1200070490	884030P03M050	5m
26	1200070586	885030E03M030	3m
27	1200070596	885030P03M020	2m
28	1200070906	885030E03M010	1m
29	1200070969	885030E03M050	5m
30	1200070970	885030E03M020	2m
31	1200071006	883030E03M020H	2m
32	1200071029	884030P03M100	10m
33	1200071047	883030P03M050H	5m
34	1200071049	885030P03M050	5m
35	1200071053	883030P03M150	15m

No.	MOLEX PN	Engineering No.	Length
36	1200071114	883030P03M020H	2m
37	1200071122	883030P03M030H	3m
38	1200071123	883030P03M010H	1m
39	1200071131	883030P03M0201	2m
40	1200071199	884030E03M200	20m
41	1200071273	883030P03M100H	10m
42	1200071284	885030P03M100	10m
43	1200071288	883030P03M060	6m
44	1200071408	885030P03M030	3m
45	1200071500	885030E03M005	0.5m
46	1200071583	885030E03M080	8m
47	1200071594	884030E03M015	1.5m
48	1200071596	884030E03M060	6m
49	1200071703	884030E03M0205	2m
50	1200071707	884030E03M0505	5m
51	1200071715	884030E03M150	15m
52	1200071774	884030E03M020H	2m
53	1200071793	884030E03M1501 *	15m
54	1200071881	884030E03M1005	10m
55	1200071947	885030P03M007	0.7m
56	1200071948	885030E03M040	4m
57	1200072010	884030P03M050H	5m
58	1200072081	885030E03M035	3.5m
59	1200072092	884030E03M040	4m
60	1200072104	883030P03M040	4m
61	1200072105	884030P03M200	20m
62	1200072172	884030E03M050H	5m
63	1200072544	884030E03M120	12m
64	1200072649	884030P03M0105	1m
65	1200072650	884030P03M0505	5m
66	1200072656	885030P03M120	12m
67	1200072658	883030P03M120	12m
68	1200072697	885030E03M060	6m
69	1200072744	884030E03M0501 *	5m
70	1200072762	884030P03M0101	1m

No.	MOLEX PN	Engineering No.	Length
71	1200072763	884030P03M0201	2m
72	1200072764	884030P03M0301	3m
73	1200072803	884030P03M040	4m
74	1200072804	884030P03M060	6m
75	1200073049	885030P03M0501	5m
76	1200073083	885030P03M006	0.6m
77	1200073084	885030P03M150	15m
78	1200660498	883030P03M010	1m
79	1200660500	883030P03M020	2m
80	1200660501	883030P03M030	3m
81	1200660502	883030P03M050	5m
82	1200660579	888030P02M010	1m
83	1200660580	888030P02M020	2m
84	1200660581	888030P02M030	3m
85	1200660582	888030P02M040	4m
86	1200660583	888030P02M050	5m
87	1200660584	888030P02M060	6m
88	1200660585	888030P02M100	10m
89	1200660586	888030P02M150	15m
90	1200661455	888030P02M005	0.5m
91	1200661605	888030P02M300	30m
92	1200665009	884030E03M005	0.5m
93	1200665031	884030P03M100H	10m
94	1200665042	888030P02M110	11m
95	1200665370	884030P03M205G	20.5m
96	1200668045	883030P03M005	0.5m
97	1200668062	884030E03M010H	1m
98	1200668083	885030P03M005	0.5m
99	1200668084	885030P03M010	1m
100	1200668086	885030P03M0283	2.8m
101	1200668088	885030P03M070	7m
102	1200668097	888030H08M020	2m
103	1200668163	885030P03M040	4m
104	1200668174	884030H09M030	3m
105	1200668197	883030H09M020	2m

No.	MOLEX PN	Engineering No.	Length
106	1200668198	883030H09M050	5m
107	1200668208	883030E03M150	15m
108	1200668234	884030H09M020	2m
109	1200668238	885030P03M200	20m
110	1200668244	884030H09M050	5m
111	1200668288	888030E02M025	2.5m
112	1200668327	888030P02M200	20m
113	1200668338	885030E03M006	0.6m
114	1200668347	885030E03M100	10m
115	1200668352	888030P02M250	25m
116	1200668353	888030P02M350	35m
117	1200668354	888030P02M400	40m
118	1200668370	883030E03M040	4m
119	1200668373	883030H09M006	0.6m
120	1200668374	883030H09M010	1m
121	1200668375	883030H09M030	3m
122	1200668376	883030H09M040	4m
123	1200668377	883030H09M100	10m
124	1200668378	884030H09M006	0.6m
125	1200668379	884030H09M010	1m
126	1200668380	884030H09M040	4m
127	1200668381	884030H09M100	10m
128	1200668384	884030P03M010H	1m
129	1200668399	888030E02M003	0.3m
130	1200668486	884030H09M023	2.3m
131	1200668487	885030E03M200	20m
132	1200668491	888030H08M010	1m
133	1200668497	885030H09M010	1m
134	1200668500	885030H09M020	2m
135	1200668501	885030H09M050	5m
136	1200668502	885030H09M092	9.2m
137	1200668509	885030H09M006	0.6m
138	1200668510	885030H09M030	3m
139	1200668511	885030H09M100	10m
140	1200668521	885030E03M250	25m

NOTES:

* - Part No. with Yellow PVC overmolding

SYMBOLS	THIS DRAWING CONTAINS INFORMATION THAT IS PROPRIETARY TO MOLEX ELECTRONIC TECHNOLOGIES, LLC AND SHOULD NOT BE USED WITHOUT WRITTEN PERMISSION	CURRENT REV DESC: ADD PN'S				
	DIMENSION UNITS: mm SCALE: 1:1	EC NO: 601917 DRWN: FDAFERNER 2018/07/25 CHK'D: RSILLER 2018/07/25 APPR: RSILLER 2018/07/25				
	GENERAL TOLERANCES (UNLESS SPECIFIED)			PRODUCT CUSTOMER DRAWING DOCUMENT NUMBER: 1200668084 DOC TYPE: PSD DOC PART: 000 REVISION: A7		
	ANGULAR TOL: ± 1.0° 4 PLACES: ± 3 PLACES: ± 2 PLACES: ± 0.05 1 PLACE: ± 0.3 0 PLACES: ± 0.5	INITIAL REVISION: DRWN: JMARSZALEK 2016/09/16 APPR: RSILLER 2016/12/08				
DRAFT WHERE APPLICABLE MUST REMAIN WITHIN DIMENSIONS 	THIRD ANGLE PROJECTION 	DRAWING: A3-SIZE SERIES: 120066	MATERIAL NUMBER: SEE PART LIST CUSTOMER: GENERAL MARKET SHEET NUMBER: 3 OF 4			

PART LIST

No.	MOLEX PN	Engineering No.	Length
141	1200668528	885030E03M020H	2m
142	1200668530	885030E03M010H	1m
143	1200668538	888030P02M0101	1m
144	1200668543	888030P02M450	45m
145	1200668544	888030P02M500	50m
146	1200668545	888030P02M600	60m
147	1200668548	884030H09M006H	0.6m
148	1200668549	884030H09M010H	1m
149	1200668550	884030H09M050H	5m
150	1200668602	885030P03M020G	2m
151	1200668609	885030E02M050	5m
152	1200668646	883030P03M030HY	3m
153	1200668652	885030E03M070	7m
154	1200668656	885030E02M100	10m
155	1200668657	885030E02M020	2m
156	1200668661	884030E02M0031	*0.3m
157	1200668662	883030E02M006	0.6m
158	1200668664	885030E02M010	1m
159	1200668672	884030E03M0051	*0.5m
160	1200668674	885030E03M150	15m
161	1200668683	885030H09M150	15m
162	1200668684	885030H09M200	20m
163	1200668687	884030P03M005	0.5m
164	1200668689	884030H08M030	3m
165	1200668690	883030P03M020YH	2m
166	1200668691	883030P03M010YH	1m
167	1200668708	885030E02M050Y	5m
168	1200668712	883030P03M100HY	10m
169	1200668713	883030P03M050HY	5m
170	1200668714	884030H09M0209	2m
171	1200668715	884030H09M003	0.3m
172	1200668718	884030E03M250	25m
173	1200668719	884030E03M300	30m
174	1200668720	884030P03M150	15m
175	1200668721	884030P03M250	25m

No.	MOLEX PN	Engineering No.	Length
176	1200668722	884030P03M300	30m
177	1200668723	884030P03M350	35m
178	1200668724	884030P03M400	40m
179	1200668737	884030H09M055	5.5m
180	1200668739	888030E02M0061	0.6m
181	1200668754	884030P03M020H	2m
182	1200668765	885030P03M015	1.5m
183	1200668770	884030E03M350	35m
184	1200668771	884030E03M400	40m
185	1200668772	885030P03M003	0.3m
186	1200668774	888030H08M100	10m
187	1200668775	885030P03M300	30m
188	1200668776	888030E02M010	1m
189	1200668777	888030E02M020	2m
190	1200668778	888030E02M030	3m
191	1200668779	888030E02M050	5m
192	1200668780	888030E02M100	10m
193	1200668781	888030E02M150	15m
194	1200668782	888030E02M200	20m
195	1200668783	888030E02M350	35m
196	1200668784	885030E03M300	30m
197	1200668785	885030E03M350	35m
198	1200668786	884030E03M070	7m
199	1200668794	885030P03M006H	0.6m
200	1200668795	885030P03M010H	1m
201	1200668796	885030P03M030H	3m
202	1200668797	885030P03M050H	5m
203	1200668798	885030P03M100H	10m
204	1200668800	885030P03M200H	20m
205	1200668801	885030P03M300H	30m
206	1200668802	885030P03M350H	35m
207	1200668803	888030P02M010H	1m
208	1200668804	888030P02M020H	2m
209	1200668805	888030P02M030H	3m
210	1200668806	888030P02M050H	5m

No.	MOLEX PN	Engineering No.	Length
211	1200668807	888030P02M100H	10m
212	1200668808	888030P02M150H	15m
213	1200668809	888030P02M200H	20m
214	1200668810	888030P02M350H	35m
215	1200668815	884030P03M0805	8m
216	1200668852	888030P02M025	2.5m
217	1200668853	885030H09M040	4m
218	1200668854	885030H09M060	6m
219	1200668903	885030P03C130	0.13m
220	1200668917	888030P02M090	9m
221	1200668970	888030P02M004	0.4m
222	1200668971	888030E02M006	0.6m
223	1200668972	885030E03M003	0.3m
224	1200668973	885030E03M025	2.5m
225	1200668980	885030E03M080H	8m
226	1200668981	885030E03M040H	4m
227	1200668982	885030E03M060H	6m
228	1200668985	885030E03M030H	3m
229	1200669111	885030P03M150H	15m
230	1200669117	888030H08M040	4m
231	1200669133	888030P02M3008	30m
232	1200669134	883030H09M015	1.5m
233	1200669135	883030H09M200	20m
234	1200669153	883030E03M0101	1m
235	1200669161	888030H08M150	15m
236	1200669212	888030H08M050	5m
237	1200669310	888030H08M005	0.5m
238	1200669311	888030H08M008	0.8m
239	1200669312	888030H08M012	1.2m
240	1200669313	888030H08M015	1.5m
241	1200669314	888030H08C250	0.25m
242	1200669353	888030P02M130	13m
243	1200669423	884030E03M025	2.5m
244	1200669424	884030E03M035	3.5m
245	1200669437	888030H08M200	20m

No.	MOLEX PN	Engineering No.	Length
246	1200669477	888030E02M300	30m
247	1200669478	888030E02M400	40m
248	1200669479	888030E02M500	50m
249	1200669499	883030E03M080	8m
250	1200669500	883030E03M120	12m
251	1200669501	883030E03M140	14m
252	1200669502	883030E03M160	16m
253	1200669503	883030E03M180	18m
254	1200669508	884030E03M080	8m
255	1200669509	884030E03M140	14m
256	1200669510	884030E03M160	16m
257	1200669511	883030E03M060	6m
258			
259			
260			
261			
262			
263			
264			
265			
266			
267			
268			
269			
270			
271			
272			
273			
274			
275			
276			
277			
278			
279			
280			

NOTES:

* - Part No. with Yellow PVC overmolding

SYMBOLS ▽ = 0 ▽ = 0 ▽ = 0 ▽ = 0 ▽ = 0 ▽ = 0 ▽ = 0 ▽ = 0 ▽ = 0	THIS DRAWING CONTAINS INFORMATION THAT IS PROPRIETARY TO MOLEX ELECTRONIC TECHNOLOGIES, LLC AND SHOULD NOT BE USED WITHOUT WRITTEN PERMISSION	SCALE 1:1	CURRENT REV DESC: ADD PN'S	molex			
	DIMENSION UNITS mm						
	GENERAL TOLERANCES (UNLESS SPECIFIED)	EC NO: 601917					
	ANGULAR TOL ± 1.0°	DRWN: FDAFERNER 2018/07/25					
	4 PLACES ±	CHK'D: RSILLER 2018/07/25					
3 PLACES ±	APPR: RSILLER 2018/07/25						
2 PLACES ± 0.05	INITIAL REVISION:						
1 PLACE ± 0.3	DRWN: JMARSZALEK 2016/09/16						
0 PLACES ± 0.5	APPR: RSILLER 2016/12/08						
DRAFT WHERE APPLICABLE MUST REMAIN WITHIN DIMENSIONS	THIRD ANGLE PROJECTION	DRAWING A3-SIZE	SERIES 120066	DOCUMENT NUMBER 1200668084	DOC TYPE PSD	DOC PART 000	REVISION A7
	MATERIAL NUMBER SEE PART LIST	CUSTOMER GENERAL MARKET	SHEET NUMBER 4 OF 4				

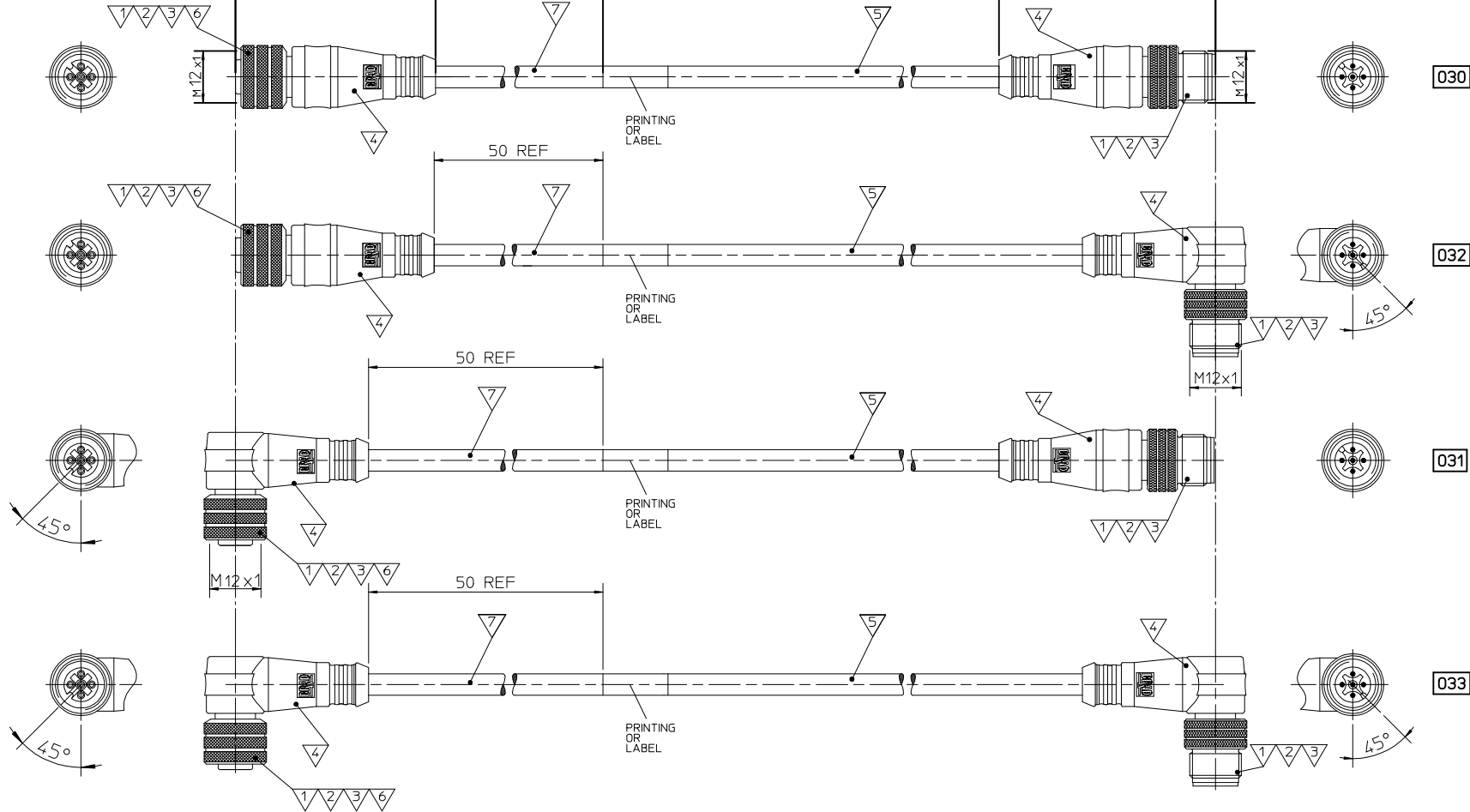
S1

FEMALE SIDES
FACE VIEWS

FINISHED LENGTH (SEE TABLE)

MALE SIDES
FACE VIEWS

S2



CONNECTOR SPECIFICATION:

VOLTAGE RATING	3+4P 250 VAC/VDC / 5P/60V
AMPERAGE RATING	max. 4 AMPS
PROTECTION	IP67
OPERATING TEMPERATURE	-25°C TO 80°C

6	O-RING	VITON	RED
5	CABLE	SEE TABLE	---
4	OVERMOULDING	TPU UF NATURAL C98A10	---
4	OVERMOULDING	MASTERBATCH COLORANT	---
3	COUPLING NUT	SEE SPECIAL TYPES	---
2	PIN CONTACT	COPPER ALLOY	GOLD OR NICKEL PLATED
1	INSERT	PUR	BLACK
ITEM	PART	MATERIAL	FINISH

ORIGINAL RELEASE
EC NO: IPG2013-1417
DRWN:MDYSZEWKA 2013/03/11
CHKD:JMARSZALEK 2013/03/11
APPR:MIWASIECZKO 2013/03/12

QUALITY SYMBOLS
▽=0
◻=0

GENERAL TOLERANCES (UNLESS SPECIFIED)

	mm	INCH
4 PLACES	± ---	± ---
3 PLACES	± ---	± ---
2 PLACES	± ---	± ---
1 PLACE	± ---	± ---
0 PLACE	± ---	± ---

ANGULAR ±---°
DRAFT WHERE APPLICABLE
MUST REMAIN WITHIN DIMENSIONS

DIMENSION STYLE
MM ONLY

DRAWN BY	DATE
HWALCZAK	2012/11/22
CHECKED BY	DATE
JMARSZALEK	2013/01/14
APPROVED BY	DATE
MIWASIECZKO	2013/01/15

MATERIAL NO.
SEE CHART

SCALE
DESIGN UNITS
METRIC

FIRST ANGLE PROJECTION

TITLE
CSE M12 XP AC FE MA
XM DE

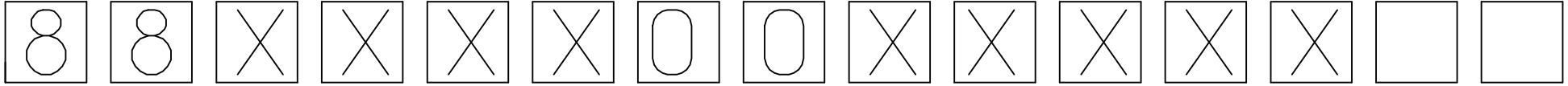
molex

DOCUMENT NO.
SD-120066-001

SHEET NO.
1 OF 6

THIS DRAWING CONTAINS INFORMATION THAT IS PROPRIETARY TO MOLEX INCORPORATED AND SHOULD NOT BE USED WITHOUT WRITTEN PERMISSION

SPECIAL TYPES



Thread M12x1 double ended

POLES
 3- INSERT 3 POLES
 4- INSERT 4 POLES
 5- INSERT 5 POLES

HEAD TYPE
 030 Plugs female and male straight
 031 Plugs female 90° and male straight
 032 Plugs female straight and male 90°
 033 Plugs female and male 90°

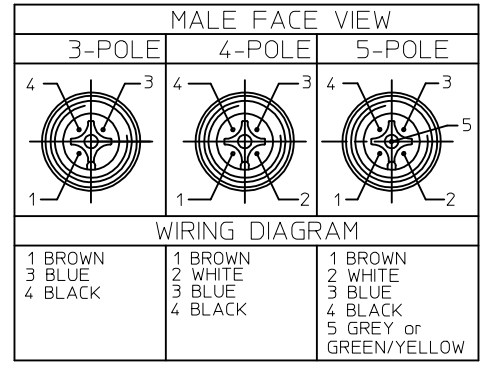
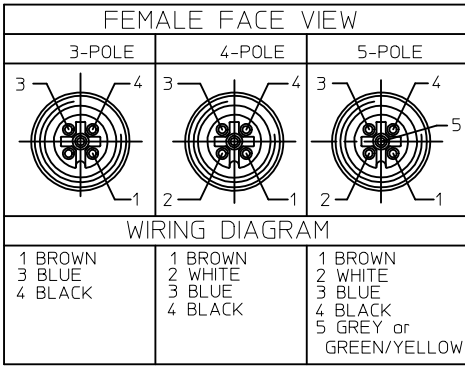
CABLE TYPES
 E02 = 0,25mm², PVC black
 E03 = 0,34mm², PVC black
 E13 = 0,75mm², PVC yellow
 E52 = 0,34mm², PVC grey (RAL7001)
 E57 = 0,34mm², PVC grey (RAL7001)
 H09 = 0,34mm², PUR black
 H69 = 0,2mm², PUR grey LSOH SCR
 I02 = 0,25mm², PVC grey CEI
 I03 = 0,34mm², PVC grey CEI
 I20 = 0,34mm², PVC grey CEI SCR DC
 I26 = 0,34mm², PVC grey CEI SCR AC
 P02 = 0,25mm², PUR/PVC black
 P03 = 0,34mm², PUR/PVC black
 P08 = 0,25mm², PUR yellow HIFLEX
 P20 = 0,34mm², PUR black LSOH braid
 P82 = 0,34mm², PUR orange irradiated DC
 S20 = 0,34mm², PVC yellow SJTO braid
 S26 = 0,34mm², PVC yellow SJTO braid AC

LENGTH UNIT
 C-cm
 M-m
 K-km
 F-feet

LENGTH
 Example:
 020 - 2M
 060 - 6M
 100 - 10M

COUPLING NUT
 blank and 3-standard (BRASS)
 1 - STAINLESS STEEL
 5 - DELRIN
 7 - TEFLON COAT

PLUG MATERIAL
 blank-standard (BLACK)
 A-GREY
 Y-YELLOW
 H-standard with ID carrier



Tablica tolerancji dlugosci
 Table of length tolerances

Powyzej Over	Do-wlacznie Up to and including	Tolerancja (+) Tolerance
0	305	+19
305	915	+45
915	1830	+56
1830	3660	+89
3660	7320	+165
7320	14640	+317
14640	30500	+610
30500	>	+2% dlugosci of length

ORIGINAL RELEASE EC NO: IPG2013-1417 DRWN: MDYSZEWSKA 2013/03/11 CHKD: JMARSZALEK 2013/03/11 APPR: MIWASIECZKO 2013/03/12	QUALITY SYMBOLS ▽=0 ∇=0	GENERAL TOLERANCES (UNLESS SPECIFIED)	DIMENSION STYLE MM ONLY	SCALE	DESIGN UNITS METRIC	FIRST ANGLE PROJECTION	
		mm INCH	DRAWN BY DATE HWALCZAK 2012/11/22	TITLE	CSE M12 XP AC FE MA XM DE		
		4 PLACES ± --- ± --- 3 PLACES ± --- ± --- 2 PLACES ± --- ± --- 1 PLACE ± --- ± --- 0 PLACE ± --- ± ---	CHECKED BY DATE JMARSZALEK 2013/01/14	APPROVED BY DATE MIWASIECZKO 2013/01/15			
		ANGULAR ± --- °	MATERIAL NO. SEE CHART	DOCUMENT NO. SD-120066-001			
A1	DRAFT WHERE APPLICABLE MUST REMAIN WITHIN DIMENSIONS	SIZE A3	THIS DRAWING CONTAINS INFORMATION THAT IS PROPRIETARY TO MOLEX INCORPORATED AND SHOULD NOT BE USED WITHOUT WRITTEN PERMISSION				

	10	9	8	7	6	5	4	3	2	1
F	1200072580	883030A51M006	1200668698	883030I03M100A	1200070470	884030E03M003	1200668174	884030H09M030	1200072803	884030P03M040
	1200668662	883030E02M006	1200668699	883030I03M200A	1200665009	884030E03M005	1200668380	884030H09M040	1200072803	884030P03M040
	1200070081	883030E03M006	1200070102	883030P03M003	1200668672	884030E03M0051	1200668244	884030H09M050	1200070490	884030P03M050
	1200070083	883030E03M010	1200668045	883030P03M005	1200070472	884030E03M006	1200668550	884030H09M050H	1200070490	884030P03M050
	1200070085	883030E03M020	1200070104	883030P03M006	1200070473	884030E03M010	1200668381	884030H09M100	1200072650	884030P03M0505
	1200070086	883030E03M0205	1200070104	883030P03M006	1200668062	884030E03M010H	1200070774	884030I03M006	1200072010	884030P03M050H
	1200071006	883030E03M020H	1200660498	883030P03M010	1200071594	884030E03M015	1200070480	884030I03M010	1200072804	884030P03M060
	1200070088	883030E03M030	1200071123	883030P03M010H	1200070474	884030E03M020	1200070481	884030I03M020	1200072804	884030P03M060
	1200668370	883030E03M040	1200668691	883030P03M010YH	1200071703	884030E03M0205	1200071627	884030I03M0205	1200071029	884030P03M100
	1200070091	883030E03M050	1200660500	883030P03M020	1200071774	884030E03M020H	1200668637	884030I03M020Y	1200071029	884030P03M100
E	1200070092	883030E03M0505	1200071131	883030P03M0201	1200070475	884030E03M030	1200070785	884030I03M030	1200665031	884030P03M100H
	1200070093	883030E03M100	1200071114	883030P03M020H	1200072092	884030E03M040	1200668372	884030I03M040	1200072105	884030P03M200
	1200668208	883030E03M150	1200668690	883030P03M020YH	1200060049	884030E03M050	1200070483	884030I03M050	1200072105	884030P03M200
	1200071343	883030E52M003A	1200660501	883030P03M030	1200072744	884030E03M0501	1200070484	884030I03M060	1200665370	884030P03M205G
	1200070956	883030E52M020A	1200660501	883030P03M030	1200071707	884030E03M0505	1200070485	884030I03M100	1200658808	884030P04M100
	1200668373	883030H09M006	1200071122	883030P03M030H	1200072172	884030E03M050H	1200668638	884030I03M100Y	1200071412	884030P08M010
	1200668374	883030H09M010	1200668646	883030P03M030HY	1200071596	884030E03M060	1200071338	884030I20M030	1200071412	884030P08M010
	1200668197	883030H09M020	1200072104	883030P03M040	1200070476	884030E03M100	1200070486	884030P03M003	1200072047	884030P09M0201
	1200668375	883030H09M030	1200660502	883030P03M050	1200071881	884030E03M1005	1200070486	884030P03M003	1200668505	884030P20M010
D	1200668376	883030H09M040	1200071047	883030P03M050H	1200072544	884030E03M120	1200668687	884030P03M005	1200668506	884030P20M020
	1200668198	883030H09M050	1200071288	883030P03M060	1200071715	884030E03M150	1200070487	884030P03M006	1200668507	884030P20M050
	1200668377	883030H09M100	1200070105	883030P03M100	1200071793	884030E03M1501	1200070487	884030P03M006	1200668508	884030P20M100
	1200070095	883030I03M003	1200071273	883030P03M100H	1200071199	884030E03M200	1200070488	884030P03M010	1200071501	884030P82M003
	1200070096	883030I03M006	1200072658	883030P03M120	1200071026	884030E52M010A	1200070488	884030P03M010	1200071067	884030P82M0037
	1200070097	883030I03M010	1200071053	883030P03M150	1200661434	884030E52M020A	1200072762	884030P03M0101	1200070494	884030P82M005
	1200070098	883030I03M020	1200071666	883030P08M100	1200071624	884030E52M030A	1200072649	884030P03M0105	1200071162	884030P82M006
	1200668632	883030I03M020Y	1200071666	883030P08M100	1200661472	884030E52M050A	1200668384	884030P03M010H	1200071162	884030P82M006
	1200070099	883030I03M030	1200071127	883030P09M006	1200070867	884030E52M100A	1200060050	884030P03M015	1200071066	884030P82M0067
C	1200668696	883030I03M030A	1200070972	883030P09M020	1200070653	884030E52M200A	1200060050	884030P03M015	1200668643	884030P82M0067Y
	1200668633	883030I03M030Y	1200668310	883030S20M005	1200668378	884030H09M006	1200070489	884030P03M020	1200070798	884030P82M010
	1200668371	883030I03M040	1200070110	883030S20M010	1200668548	884030H09M006H	1200070489	884030P03M020	1200668349	884030P82M0101
	1200070100	883030I03M050	1200070111	883030S20M020	1200668379	884030H09M010	1200072763	884030P03M0201	1200071068	884030P82M0107
	1200668697	883030I03M050A	1200668172	883030S20M050	1200668549	884030H09M010H	1200060051	884030P03M030	1200668644	884030P82M0107Y
	1200668634	883030I03M050Y	1200072390	884030A51M0031	1200668234	884030H09M020	1200060051	884030P03M030	1200071582	884030P82M015
	1200070101	883030I03M100	1200668661	884030E02M0031	1200668486	884030H09M023	1200072764	884030P03M0301	1200071069	884030P82M0157

ORIGINAL RELEASE EC NO: IPG2013-1417 DRW:MD/SZEWKA 2013/03/11 CHKD:JMARSZALEK 2013/03/11 APPR:MIWASIECZKO 2013/03/12	QUALITY SYMBOLS	GENERAL TOLERANCES (UNLESS SPECIFIED)	DIMENSION STYLE		SCALE	DESIGN UNITS	FIRST ANGLE PROJECTION
			MM ONLY		METRIC		
	DESCRIPTION	mm	INCH	DRAWN BY	DATE	TITLE	
	REV	4 PLACES ± --- ± ---	HWALCZAK	2012/11/22	CSE M12 XP AC FE MA XM DE		
	3 PLACES ± --- ± ---	CHECKED BY	DATE				
	2 PLACES ± --- ± ---	JMARSZALEK	2013/01/14				
	1 PLACE ± --- ± ---	APPROVED BY	DATE				
	0 PLACE ± --- ± ---	MIWASIECZKO	2013/01/15				
	ANGULAR ± --- °	MATERIAL NO.	DOCUMENT NO.	SHEET NO.			
	DRAFT WHERE APPLICABLE MUST REMAIN WITHIN DIMENSIONS	SEE CHART	SD-120066-001	3 OF 6			
		SIZE A3	THIS DRAWING CONTAINS INFORMATION THAT IS PROPRIETARY TO MOLEX INCORPORATED AND SHOULD NOT BE USED WITHOUT WRITTEN PERMISSION				

	10	9	8	7	6	5	4	3	2	1
F	1200070799	884030P82M020	1200072341	885030A51M050	1200668683	885030H09M150	1200060048	883031A51M050	1200070511	884031E03M020
	1200072601	884030P82M0201	1200072341	885030A51M050	1200668684	885030H09M200	1200060052	884031I20M005	1200070512	884031E03M030
	1200071088	884030P82M0207	1200072342	885030A51M100	1200070961	885030I03M030	1200060053	884031I20M010	1200070522	884031I03M020
	1200668645	884030P82M0207Y	1200668664	885030E02M010	1200668642	885030I03M030Y	1200060054	884031I20M015	1200070523	884031I03M030
	1200071580	884030P82M030	1200668657	885030E02M020	1200668165	885030I03M100	1200060055	884031I20M020	1200070526	884031P03M003
	1200071647	884030P82M0307	1200668609	885030E02M050	1200072106	885030I26M005	1200060056	884031P03M010	1200070526	884031P03M003
	1200071428	884030P82M0407	1200668708	885030E02M050Y	1200668082	885030I26M006	1200060056	884031P03M010	1200070527	884031P03M006
	1200071254	884030P82M050	1200668656	885030E02M100	1200070890	885030I26M010	1200060057	884031P03M020	1200070527	884031P03M006
	1200668067	884030P82M0507	1200071500	885030E03M005	1200668639	885030I26M010Y	1200060057	884031P03M020	1200070529	884031P03M030
	1200668187	884030P82M050H	1200668338	885030E03M006	1200072359	885030I26M015	1200070118	883031E03M006	1200070529	884031P03M030
E	1200668391	884030P82M060	1200070906	885030E03M010	1200070891	885030I26M020	1200070119	883031E03M010	1200070534	884031S20M030
	1200668391	884030P82M060	1200668530	885030E03M010H	1200668640	885030I26M020Y	1200070121	883031E03M020	1200070651	884031I03M006
	1200718014	884030P82M0607	1200070970	885030E03M020	1200668281	885030I26M025	1200070123	883031E03M030	1200070768	884031S20M050
	1200658167	884030P82M080	1200668528	885030E03M020H	1200070892	885030I26M030	1200070125	883031E03M050	1200070783	884031S20M100H
	1200070937	884030P82M100	1200070586	885030E03M030	1200668641	885030I26M030Y	1200070127	883031E03M100	1200070904	884031E03M050
	1200668517	884030P82M1007	1200072081	885030E03M035	1200071279	885030I26M050	1200070132	883031I03M003	1200070917	885031P03M020
	1200071272	884030S20M005	1200071948	885030E03M040	1200668083	885030P03M005	1200070133	883031I03M006	1200070919	885031P03M030
	1200071237	884030S20M005H	1200070969	885030E03M050	1200071947	885030P03M007	1200070134	883031I03M010	1200070945	883031E03M015
	1200071178	884030S20M006H	1200072697	885030E03M060	1200668084	885030P03M010	1200070136	883031I03M020	1200071010	884031P82M100
D	1200668068	884030S20M010	1200668652	885030E03M070	1200070596	885030P03M020	1200070137	883031I03M030	1200071096	884031P82M0037
	1200071035	884030S20M010H	1200071583	885030E03M080	1200668602	885030P03M020G	1200070138	883031I03M050	1200071121	883031P03M010H
	1200071238	884030S20M015H	1200668347	885030E03M100	1200668086	885030P03M0283	1200070140	883031P03M003	1200071138	884031S20M010H
	1200070499	884030S20M020	1200668674	885030E03M150	1200071408	885030P03M030	1200070141	883031P03M006	1200071139	884031S20M020H
	1200071141	884030S20M020H	1200668487	885030E03M200	1200668163	885030P03M040	1200070142	883031P03M010	1200071143	884031P82M0107
	1200070500	884030S20M030	1200668521	885030E03M250	1200071049	885030P03M050	1200070143	883031P03M020	1200071144	884031P82M0207
	1200071137	884030S20M030H	1200668081	885030E57M100A	1200073049	885030P03M0501	1200070144	883031P03M030	1200071157	884031E03M060
	1200071264	884030S20M040H	1200665054	885030E85M200	1200668088	885030P03M070	1200070145	883031P03M050	1200071164	884031S20M003H
	1200070502	884030S20M050	1200665054	885030E85M200	1200071284	885030P03M100	1200070146	883031P03M100	1200071179	884031S20M006H
	1200071188	884030S20M050H	1200668509	885030H09M006	1200072656	885030P03M120	1200070149	883031P09M020	1200071183	884031S20M030H
C	1200070023	884030S20M060H	1200668497	885030H09M010	1200668238	885030P03M200	1200070152	883031S20M010	1200071187	884031P03M050
	1200070504	884030S20M100	1200668500	885030H09M020	1200072427	885030P09M050	1200070153	883031S20M020	1200071187	884031P03M050
	1200071161	884030S20M100H	1200668510	885030H09M030	1200665012	885030P82M030	1200070156	883031S20M050	1200071189	884031S20M050H
	1200668294	885030A51M010	1200668501	885030H09M050	1200070597	885030S26M010	1200070507	884031E03M003	1200071200	884031S20M015H
	1200668294	885030A51M010	1200668502	885030H09M092	1200668090	885030S26M020H	1200070508	884031E03M006	1200071236	884031S20M005H
	1200072353	885030A51M020	1200668511	885030H09M100	1200060048	883031A51M050	1200070509	884031E03M010	1200071278	884031E03M100

ORIGINAL RELEASE EC NO: IPG2013-1417 DRW:MD/SZEWSKA 2013/03/11 CHKD:JMARSZALEK 2013/03/11 APPR:MIWASIECZKO 2013/03/12	QUALITY SYMBOLS ▽=0 ◇=0	GENERAL TOLERANCES (UNLESS SPECIFIED)	DIMENSION STYLE MM ONLY	SCALE	DESIGN UNITS METRIC	FIRST ANGLE PROJECTION																
		<table border="1"> <thead> <tr> <th></th> <th>mm</th> <th>INCH</th> </tr> </thead> <tbody> <tr> <td>4 PLACES</td> <td>± ---</td> <td>± ---</td> </tr> <tr> <td>3 PLACES</td> <td>± ---</td> <td>± ---</td> </tr> <tr> <td>2 PLACES</td> <td>± ---</td> <td>± ---</td> </tr> <tr> <td>1 PLACE</td> <td>± ---</td> <td>± ---</td> </tr> <tr> <td>0 PLACE</td> <td>± ---</td> <td>± ---</td> </tr> </tbody> </table>		mm	INCH	4 PLACES	± ---	± ---	3 PLACES	± ---	± ---	2 PLACES	± ---	± ---	1 PLACE	± ---	± ---	0 PLACE	± ---	± ---	DRAWN BY HWALCZAK	DATE 2012/11/22
	mm	INCH																				
4 PLACES	± ---	± ---																				
3 PLACES	± ---	± ---																				
2 PLACES	± ---	± ---																				
1 PLACE	± ---	± ---																				
0 PLACE	± ---	± ---																				
ANGULAR ±---°	MATERIAL NO.	DOCUMENT NO.	SHEET NO.	4 OF 6																		
DRAFT WHERE APPLICABLE MUST REMAIN WITHIN DIMENSIONS		SEE CHART	THIS DRAWING CONTAINS INFORMATION THAT IS PROPRIETARY TO MOLEX INCORPORATED AND SHOULD NOT BE USED WITHOUT WRITTEN PERMISSION																			
A1	REV	A3																				

	10	9	8	7	6	5	4	3	2	1	
F	1200071280	884031S20M040H	1200072696	883031S20M010H	1200668258	883031I03M080	1200668666	884031P82M0107Y	1200072838	884032P03M003	F
	1200071318	884031P82M0067	1200072725	885031I26M005	1200668259	884031I20M003	1200668667	884031I20M030Y	1200072879	883032H09M010	
	1200071341	884031I20M030	1200072726	885031I26M010	1200668273	885031P03M050	1200668669	884031H09M006	1200665032	884032E03M020	
	1200071493	883031P82M050	1200072772	884031H03M009	1200668278	885031E03M020	1200668670	884031H09M050	1200665040	884032H69M100	
	1200071575	884031P82M006	1200072772	884031H03M009	1200668279	885031E03M050	1200668671	884031H09M100	1200668007	883032I03M010	
	1200071575	884031P82M006	1200072779	884031P09M0405	1200668287	884031I20M025	1200070026	884032P03M020	1200668053	883032E03M100	
	1200071576	884031P82M010	1200658762	883031H09M006	1200668324	883031P03M010G	1200070158	883032E03M003	1200668054	883032P03M005	
	1200071577	884031P82M015	1200658763	883031H09M010	1200668325	883031P03M020G	1200070159	883032E03M006	1200668072	884032E03M006	
	1200071578	884031P82M030	1200658764	883031H09M020	1200668326	883031P03M030G	1200070160	883032E03M010	1200668073	884032E03M010	
	1200071579	884031P82M050	1200658765	883031H09M030	1200668339	885031E03M006	1200070161	883032E03M020	1200668074	884032E03M050	
E	1200071581	884031P82M020	1200658766	883031H09M040	1200668340	885031E03M030	1200070166	883032I03M006	1200668075	884032E03M100	E
	1200071617	883031P09M0205	1200658767	883031H09M050	1200668348	885031E03M100	1200070171	883032P03M006	1200668076	884032H69M030	
	1200071832	884031I20M050	1200658768	883031H09M100	1200668361	884031E03M015	1200070172	883032P03M010	1200668077	884032P82M0037	
	1200071833	884031I20M100	1200659035	883031E02M050	1200668392	884031P82M060	1200070173	883032P03M020	1200668078	884032P82M0207	
	1200071893	884031S20M100	1200659070	884031I20M010Y	1200668484	884031H09M010	1200070174	883032P03M030	1200668092	885032E03M020	
	1200071994	885031P82M030	1200659071	884031I20M015Y	1200668488	884031H09M015	1200070184	883032S20M010	1200668093	885032P03M030	
	1200072011	884031E03M200	1200659072	884031I20M020Y	1200668496	885031H09M010	1200070185	883032S20M020	1200668161	884032S20M030	
	1200072012	884031P03M100	1200659115	884031I20M005Y	1200668512	885031H09M006	1200070547	884032P03M0105	1200668173	884032E03M1501	
	1200072012	884031P03M100	1200660383	884031S20M010	1200668513	885031H09M020	1200070841	884032E52M020A	1200668177	884032S20M020	
	1200072030	884031P09M010	1200665007	884031P82M0157	1200668514	885031H09M030	1200070907	884032S20M050	1200668200	884032E03M1001	
D	1200072164	883031E03M040	1200665037	883031P09M015	1200668515	885031H09M050	1200070914	884032P03M050	1200668205	883032E03M050	D
	1200072187	883031P09M0505	1200665039	884031S20M003	1200668516	885031H09M100	1200071014	884032E03M030	1200668206	883032E03M150	
	1200072220	883031A51M020	1200665053	884031S20M060H	1200668520	883031P03M070	1200071271	885032E03M010	1200668223	884032E03M200	
	1200072220	883031A51M020	1200668052	883031S20M006	1200668531	884031P82M0507	1200071277	884032E52M010A	1200668267	884032P82M0107	
	1200072221	883031A51M100	1200668071	884031S20M020	1200668532	884031P82M1007	1200071407	884032P03M010	1200668268	883032E03M200	
	1200072221	883031A51M100	1200668091	885031P03M025	1200668608	883031E02M020	1200071519	884032P03M006	1200668282	884032P82M0157	
	1200072354	885031A51M020	1200668175	883031E03M060	1200668610	885031E02M050	1200071520	884032P03M030	1200668290	884032H09M020	
	1200072355	885031A51M050	1200668188	885031P03M010	1200668612	883031E02M100	1200072163	884032E03M0501	1200668307	884032E03M1005	
	1200072355	885031A51M050	1200668189	885031E03M010	1200668613	883031E02M030	1200072213	884032P03M1005	1200668308	884032E03M2005	
C	1200072356	885031A51M100	1200668191	883031S20M030	1200668635	883031E03M010Y	1200072294	883032P03M0305	1200668309	884032E03M1205	C
	1200072365	884031E03M1501	1200668212	884031H09M020	1200668636	883031E03M020Y	1200072378	883032E03M060	1200668311	884032H69M010	
	1200072376	885031P03M0105	1200668215	884031H09M030	1200668647	884031P82M0067Y	1200072424	884032I03M003	1200668312	884032H69M050	
	1200072445	883031E03M020H	1200668221	884031P82M040	1200668653	885031E03M070	1200072577	885032P03M003	1200668341	883032P03M050	
	1200072447	883031A51M030	1200668237	883031S20M100	1200668658	885031E02M020	1200072705	883032P03M060	1200668343	884032P82M0067	
	1200072447	883031A51M030	1200668247	884031P82M005	1200668660	885031E02M100	1200072738	884032A51M050	1200668345	884032P03M002G	

ORIGINAL RELEASE EC NO: IPG2013-1417 DRW:MD/SZEWKA 2013/03/11 CHKD:JMARSZALEK 2013/03/11 APPR:MIWASIECZKO 2013/03/12	QUALITY SYMBOLS ▽=0 ◻=0	GENERAL TOLERANCES (UNLESS SPECIFIED)		DIMENSION STYLE MM ONLY		SCALE	DESIGN UNITS METRIC	FIRST ANGLE PROJECTION		
			mm	INCH	DRAWN BY HWALCZAK	DATE 2012/11/22	TITLE	CSE M12 XP AC FE MA XM DE		
		4 PLACES	± ---	± ---	CHECKED BY JMARSZALEK	DATE 2013/01/14				
		3 PLACES	± ---	± ---	APPROVED BY MIWASIECZKO	DATE 2013/01/15				
2 PLACES	± ---	± ---	MATERIAL NO.	DOCUMENT NO.	SEE CHART		SD-120066-001		SHEET NO. 5 OF 6	
1 PLACE	± ---	± ---	ANGULAR ± --- °		THIS DRAWING CONTAINS INFORMATION THAT IS PROPRIETARY TO MOLEX INCORPORATED AND SHOULD NOT BE USED WITHOUT WRITTEN PERMISSION					
0 PLACE	± ---	± ---	DRAFT WHERE APPLICABLE MUST REMAIN WITHIN DIMENSIONS							

