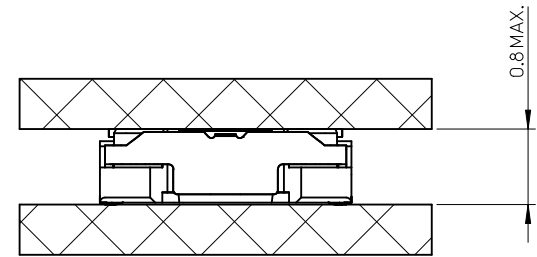
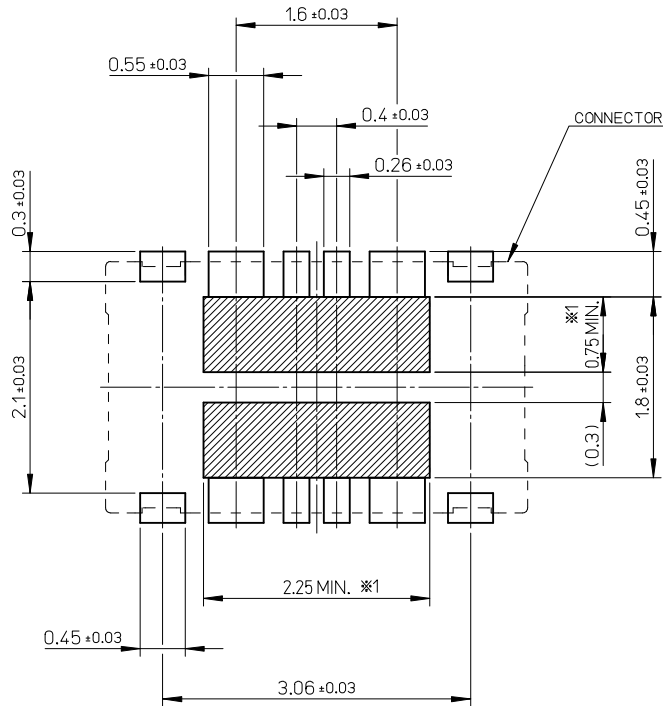


注記 NOTES

1. 使用材料 MATERIAL
 ハウジング : 液晶ポリマー (LCP) UL94V-0 (黒)
 HOUSING: LIQUID CRYSTAL POLYMER UL94V-0 (COLOR: BLACK)
 信号用ターミナル : 銅合金
 TERMINAL FOR SIGNAL CIRCUIT : COPPER ALLOY
 電源用ターミナル : 銅合金
 TERMINAL FOR POWER CIRCUIT : COPPER ALLOY
2. メッキ仕様 PLATING
 ターミナル (信号用、電源用) TERMINAL FOR SIGNAL AND POWER CIRCUIT
 金メッキ
 GOLD
 下地メッキ: ニッケルメッキ
 UNDER PLATING: NICKEL
 ※コンタクト部とテール部はニッケルメッキによって分断されている金メッキです。
 DIVIDE INTO PARTS THE GOLD PLATING OF THE CONTACT AND THE TAIL PART BY THE NICKEL PLATING.
 金具 FITTING NAIL
 金メッキ (半田付け部のみ)
 GOLD (SOLDER TAIL)
 下地メッキ: ニッケルメッキ
 UNDER PLATING: NICKEL
4. 嵌合相手: 505006 シリーズ
 MATE WITH: 505006 SERIES.
5. テール平坦度は、0.08 以下
 TAIL COPLANARITY TO BE 0.08 MAXIMUM.
 金具の平坦度は、0.1 以下
 FITTING NAIL COPLANARITY TO BE 0.1 MAXIMUM.
6. ELV & RoHS 適合品
 ELV and RoHS COMPLIANT.

4	4	505004-0820	0	---	8
FOR POWER	FOR SIGNAL	EMBOSSED TAPE PACKAGE	量産品 MASS PRODUCTION	試作対応可 LOW VOL. TOOL	極数 CIRCUIT
使用用途	USAGE	オーダー番号 ORDER NO.	サンプル供給 SAMPLE PREPARATION		

PROPOSED EC NO: J2016-0047 DRWN: MTAKASHI MA01 2015/08/28 CHKD: RTAKEUCHI 2015/08/31 APPR: KMORIKAWA 2015/10/05	GENERAL TOLERANCES (UNLESS SPECIFIED)		DIMENSION STYLE		SCALE	DESIGN UNITS	CONNECTOR SERIES No. : 505004-**09	
	0.25 UNDER ±0.03		MM ONLY		20:1	METRIC	THIRD ANGLE PROJECTION	
	0.25 OVER 0.5 UNDER ±0.05		DRAWN BY DATE		TITLE			
	0.5 OVER 1.0 UNDER ±0.1		MTAKASHI MA01 2015/08/28		0.4 BB CONN H=0.75 BATTERY REC ASSY			
	1.0 OVER 10 UNDER ±0.2		CHECKED BY DATE					
10 OVER 30 UNDER ±0.25		RTAKEUCHI 2015/08/31						
30 OVER ±0.3		APPROVED BY DATE		DOCUMENT NO.		SHEET NO.		
ANGULAR ±1 °		KMORIKAWA 2015/10/05		SD-505004-003		1 OF 2		
DRAFT WHERE APPLICABLE MUST REMAIN WITHIN DIMENSIONS		MATERIAL NO.		THIS DRAWING CONTAINS INFORMATION THAT IS PROPRIETARY TO MOLEX INCORPORATED AND SHOULD NOT BE USED WITHOUT WRITTEN PERMISSION				
0		SIZE A3						

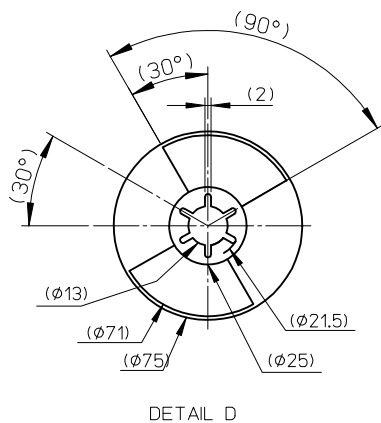
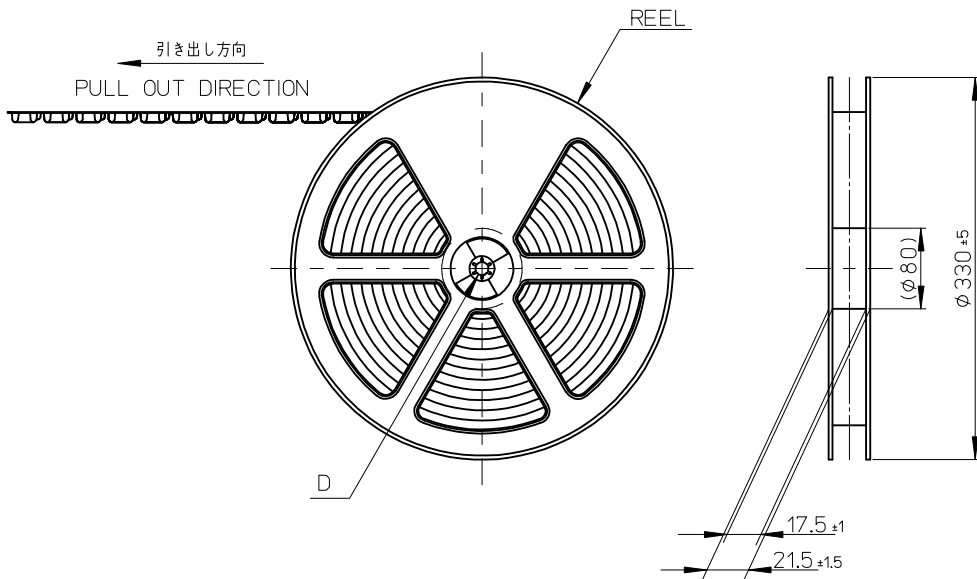


嵌合状態
MATED CONDITION

推奨基板寸法 (参考)
 推奨メタルマスク厚: t=0.1mm/推奨メタルマスク開口率: 80%
 RECOMMENDED P.W.BOARD PATTERN LAYOUT (REFERENCE)
 RECOMMENDED THICKNESS OF METAL MASK: t=0.1mm
 RECOMMENDED OPEN APERTURE RATIO OF METAL MASK: 80%

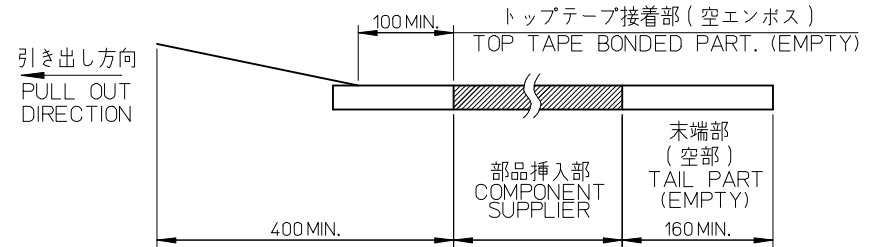
※1 パターン引き直し、および半田禁止エリア
 (当該箇所においては、回路の配線を禁止する。また、この部分に半田は無きこととする。)
 PROHIBITED AREA OF PATTERN WIRING AND SOLDER.
 (FOR EACH AREA THE WIRING CAN NOT BE AVAILABLE.
 AND COVERED WITH A FILM KEEP SOLDER OUT)

SEE SHEET 1	GENERAL TOLERANCES (UNLESS SPECIFIED)		DIMENSION STYLE MM ONLY		SCALE 20:1	DESIGN UNITS METRIC	THIRD ANGLE PROJECTION	
	0.25 UNDER	± 0.03	DRAWN BY	DATE	TITLE			
	0.25 OVER 0.5 UNDER	± 0.05	MTAKASHI MAO	2015/08/28	0.4 BB CONN H=0.75 BATTERY REC ASSY			
	0.5 OVER 1.0 UNDER	± 0.1	CHECKED BY	DATE	molex			
	1.0 OVER 10 UNDER	± 0.2	RTAKEUCHI	2015/08/31				
10 OVER 30 UNDER	± 0.25	APPROVED BY	DATE	DOCUMENT NO.		SHEET NO.		
30 OVER	± 0.3	KMORIKAWA	2015/10/05	SD-505004-003		2 OF 2		
ANGULAR	± 1 °	MATERIAL NO.		SEE SHEET 1				
DRAFT WHERE APPLICABLE MUST REMAIN WITHIN DIMENSIONS			SIZE A3	THIS DRAWING CONTAINS INFORMATION THAT IS PROPRIETARY TO MOLEX INCORPORATED AND SHOULD NOT BE USED WITHOUT WRITTEN PERMISSION				



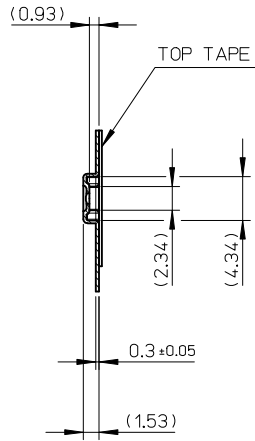
注記 NOTES

- 製品詳細寸法については製品単体図面を参照下さい。
RE DETAILED DIMENSION, SEE PRODUCT DRAWING.
- 梱包数量: 5000個/リール
NUMBER OF CONNECTORS: 5000PCS/REEL
- リードテープ長さ LEAD TAPE LENGTH

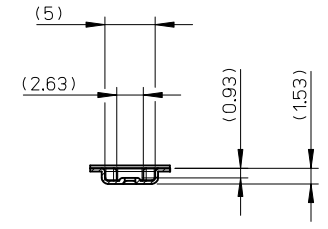
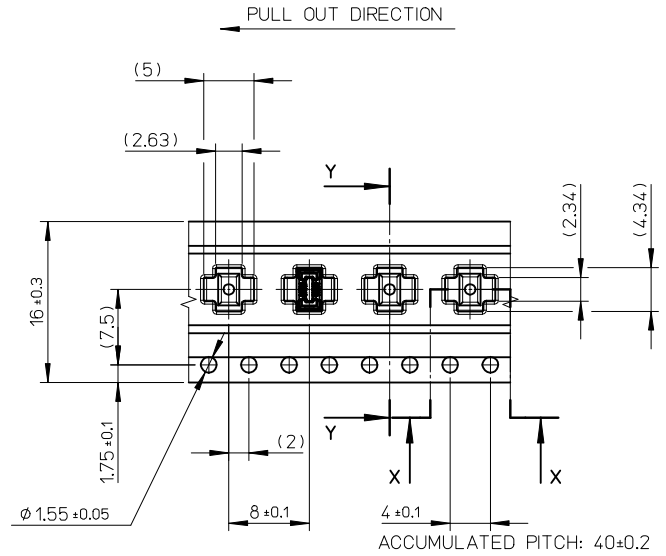


- トップテープの剥離強度は、IEC60286-3に準拠する。
PEELING OFF FORCE OF THE TOP TAPE IS DEFINED BY IEC60286-3.
- 材料 MATERIAL
キャリアテープ (CARRIER TAPE) ポリスチレン (POLYSTYRENE)
トップテープ (TOP TAPE) PET, OTHER
リール (REEL) ポリスチレン (PS) <リサイクル材を含む>
POLYSTYRENE (PS) <RECYCLE MATERIAL CONTAINED>
- ELV 及び RoHS適合品
ELV AND RoHS COMPLIANT

REVISED EC NO.: J2016-0047 DRWN: MTAKASHIMA01 2015/09/01 CHKD: RTAKEUCHI 2015/09/01 APPR: KMORIKAWA 2015/10/05	GENERAL TOLERANCES (UNLESS SPECIFIED)		DIMENSION STYLE MM ONLY		SCALE 2:1	DESIGN UNITS METRIC	THIRD ANGLE PROJECTION
	0.25 UNDER	±0.03	DRAWN BY	DATE	TITLE		
	0.25 OVER 0.5 UNDER	±0.05	MTAKASHIMA01	2015/08/28	0.4 BB CONN H=0.75 BATTERY REC ASSY EMBSTP PKG		
	0.5 OVER 1.0 UNDER	±0.1	RTAKEUCHI	2015/08/31	molex		
	1.0 OVER 10 UNDER	±0.2	APPROVED BY	DATE			
10 OVER 30 UNDER	±0.25	KMORIKAWA	2015/10/05	MATERIAL NO.	DOCUMENT NO.	SHEET NO.	
30 OVER	±0.3	SEE SHEET 2		SD-505004-004	1 OF 2		
ANGULAR	±1 °	THIS DRAWING CONTAINS INFORMATION THAT IS PROPRIETARY TO MOLEX INCORPORATED AND SHOULD NOT BE USED WITHOUT WRITTEN PERMISSION					
1	DRAFT WHERE APPLICABLE MUST REMAIN WITHIN DIMENSIONS		SIZE A3				



SECTION Y-Y



SECTION X-X

505004-0820	0	---	8
EMBOSSED TAPE PACKAGE	量産品 MASS PRODUCTION	試作対応可 LOW VOL. TOOL	極数
オーダー番号 ORDER NO.	サンプル供給 SAMPLE PREPARATION		CIRCUIT
MODEL No.	505004-**20		

SEE SHEET 1 EC NO: J2016-0047 DRW:MTAKASHIMA01 2015/09/01 CHK:DR TAKEUCHI 2015/09/01 APPR:KMORIKAWA 2015/10/05	GENERAL TOLERANCES (UNLESS SPECIFIED)		DIMENSION STYLE		SCALE	DESIGN UNITS	THIRD ANGLE PROJECTION
	0.25 UNDER ±0.03		MM ONLY		2:1	METRIC	
	0.25 OVER 0.5 UNDER ±0.05		DRAWN BY DATE		TITLE		
	0.5 OVER 1.0 UNDER ±0.1		MTAKASHIMA01 2015/08/28		0.4 BB CONN H=0.75 BATTERY REC ASSY EMBSTP PKG		
	1.0 OVER 10 UNDER ±0.2		CHECKED BY DATE		DOCUMENT NO.		
10 OVER 30 UNDER ±0.25		RTAKEUCHI 2015/08/31		SD-505004-004		SHEET NO.	
30 OVER ±0.3		APPROVED BY DATE		SEE CHART		2 OF 2	
ANGULAR ±1 °		KMORIKAWA 2015/10/05		THIS DRAWING CONTAINS INFORMATION THAT IS PROPRIETARY TO MOLEX INCORPORATED AND SHOULD NOT BE USED WITHOUT WRITTEN PERMISSION			
DRAFT WHERE APPLICABLE MUST REMAIN WITHIN DIMENSIONS		MATERIAL NO.					
REV	1		SIZE A3				