

| PART NUMBER | ENG. NUMBER | MATERIAL (SEE NOTE 1) |
|-------------|---------------|-----------------------|
| 39-01-3028 | 5557-02R1-210 | 94V-0 |
| 39-01-3048 | 5557-04R1-210 | 94V-0 |
| 39-01-3022 | 5557-02R1 | 94V-2 |
| 39-01-3042 | 5557-04R1 | 94V-2 |
| 39-01-6026 | 5557-02R1-BL | 94V-2, BLACK |
| NO E.D.P. | 5557-04R1-BL | 94V-2, BLACK |

LEGEND:

5557-* R1-*****

BASE NUMBER ———

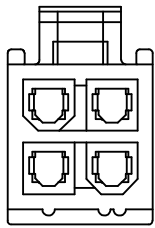
CKT. SIZE ———

RECEPTACLE ———

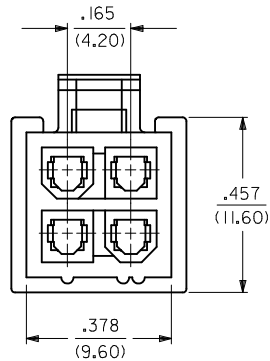
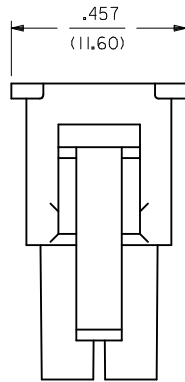
(WITH SIDE PULL TABS)

MATERIAL OPTION: ———

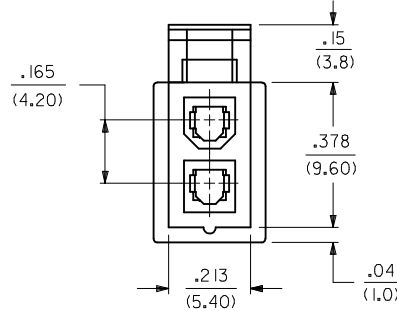
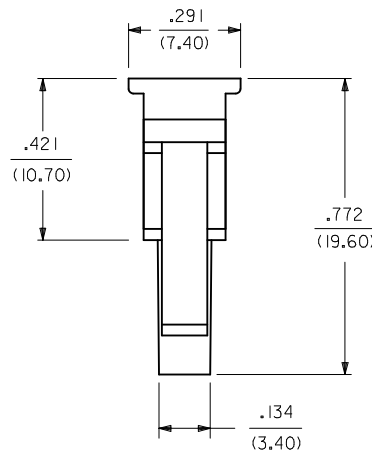
(SEE NOTE 1)



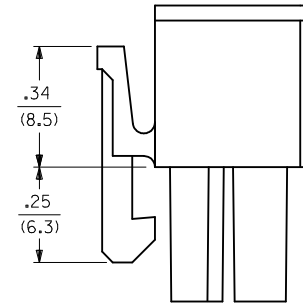
5557-04R-**
(WITHOUT SIDE PULL TABS)
(SHOWN FOR REFERENCE ONLY)



5557-04R1-**



5557-02R1-**



5557-02R-**
(WITHOUT SIDE PULL TABS)
(SHOWN FOR REFERENCE ONLY)

NOTES:

- MATERIAL:
"BLANK" = NYLON 6/6, U.L. 94V-2. COLOR: NATURAL.
"210" = NYLON 6/6, U.L. 94V-0. COLOR: NATURAL.
"BL" = NYLON 6/6, U.L. 94V-2. COLOR: BLACK.
- FINISH: NOT APPLICABLE
- PRODUCT SPECIFICATION: PS-5556-001.
- PARTS TO BE PACKAGED PER PK-5557-002
- PART MATES WITH MOLEX PLUG #5559.
- PART IS FOR USE WITH MOLEX FEMALE TERMINAL #5556.
- PART IS NOT DESIGNED FOR CURRENT SHARING.
- CONNECTORS ARE NOT TO BE MATED OR UNMATED WHILE CIRCUITS ARE LIVE.
- WIRES ARE TO BE DRESSED IN SUCH A MANNER TO ALLOW THE TERMINALS TO FLOAT FREELY IN THE POCKET.
- PART CONFORMS TO CLASS "B" REQUIREMENTS OF COSMETIC SPECIFICATION PS-45499-002

| | | | | | | | | |
|--|--------------------------------------|--|--------|---|---------------------|--|--|---------------------|
| OBS 220 P/NS EC NO: UCP2015-2508 DRWN: DFOX 2015/03/18 CHKD: JELL 2015/03/18 APPR: FSMITH 2015/03/24 | QUALITY SYMBOLS ▽=0 ▽=0 ▽=0 | GENERAL TOLERANCES (UNLESS SPECIFIED) | | DIMENSION STYLE IN/MM | SCALE 4:1 | DESIGN UNITS METRIC | THIRD ANGLE PROJECTION | |
| | | mm | INCH | DRAWN BY GEP | DATE 1990/08/08 | 2 & 4 CKT RECEPTACLE, MINI-FIT JR. SERIES WITH SIDE TABS molex | | |
| | | 4 PLACES ± .015 | ± .015 | CHECKED BY RJF | DATE | | | |
| | | 3 PLACES ± .015 | ± .015 | APPROVED BY FSMITH | DATE 2012/05/04 | MATERIAL NO. SEE CHART | DOCUMENT NO. SD-5557-***R1-* | SHEET NO. 1 OF 1 |
| 2 PLACES ± .015 | ± .015 | ANGULAR ±1/2° | | THIS DRAWING CONTAINS INFORMATION THAT IS PROPRIETARY TO MOLEX INCORPORATED AND SHOULD NOT BE USED WITHOUT WRITTEN PERMISSION | | | | |
| 1 PLACE ± .015 | ± .015 | DRAFT WHERE APPLICABLE MUST REMAIN WITHIN DIMENSIONS | | | | | | |
| 0 PLACE ± .015 | ± .015 | | | | | | | |