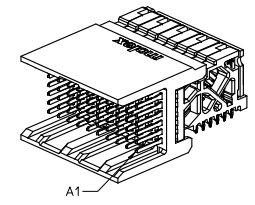


MATERIAL NUMBER	# OF COLUMNS	# OF DIFF PAIR	DIM 'A' MAX	DIM 'B'
76450-11**	10	20	19.00	17.10
76450-16**	16	32	30.40	28.50

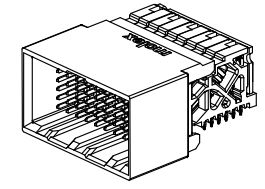
76450-****

- MODULE TYPE
1 = UNGUIDED, LEAD-FREE
- PIN LENGTH (P)
4 - 4.90 (0.46 PTH)
5 - 5.50 (0.46 PTH)
7 - 4.90 (0.39 PTH)
8 - 5.50 (0.39 PTH)
- # OF COLUMNS
1 = 10 COL
6 = 16 COL
- END WALL OPTIONS
0 = OPEN ENDS
1 = LEFT ENDWALL
2 = DUAL ENDWALL
3 = RIGHT ENDWALL

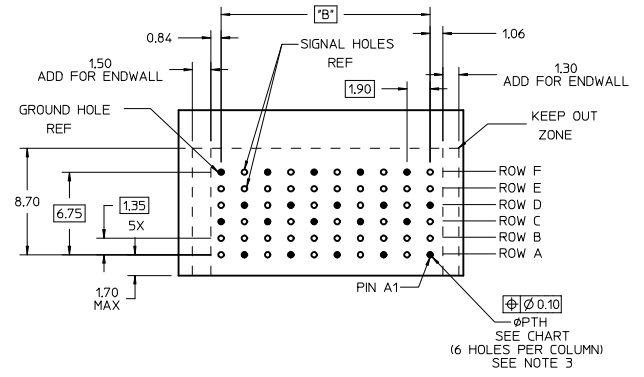
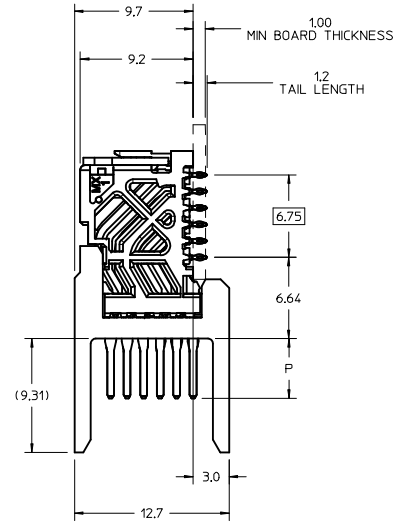
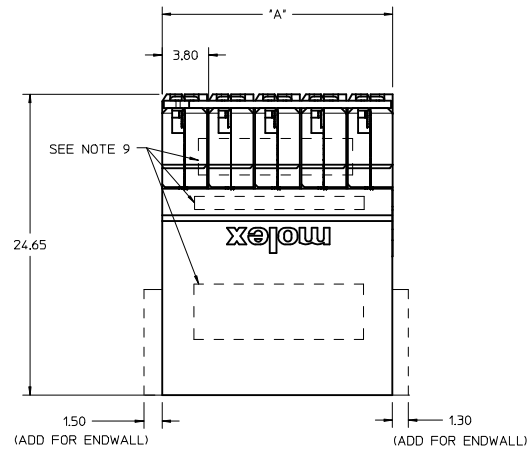
- NOTES:
1. MATERIALS: HOUSING - LIQUID CRYSTAL POLYMER (LCP), GLASS-FILLED, UL94V-0 TERMINALS - HIGH PERFORMANCE COPPER ALLOY
 2. FINISH: 304h SELECTIVE GOLD IN CONTACT AREA, SELECTIVE TIN ON PCB TAILS, NICKEL OVERALL.
 3. FOR FURTHER INFORMATION SEE PRODUCT SPECIFICATION PS-76060-999.
 4. EACH SIGNAL WAFER CONTAINS 2 COLUMNS OF TERMINALS.
 5. PRODUCT TO BE PACKAGE PER PACKAGING SPECIFICATION PK-70873-077.
 6. THIS PART CONFORMS TO CLASS B REQUIREMENTS OF COSMETIC SPEC PS-45499-002.
 7. REFER TO MOLEX SALES DRAWING SD-76460-001 FOR MATING DAUGHTERCARDS.
 8. REFER TO MOLEX PCB ROUTING GUIDE AS-76060-990 FOR ANTI PAD AND ROUTING RECOMMENDATIONS.
 9. MARKING: LOCATED APPROXIMATELY AS SHOWN, PART NUMBER AND DATE CODE.



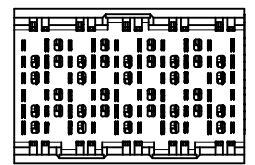
OPEN ENDED OPTION



DUAL ENDWALL OPTION



RAM HOLE PATTERN (CONNECTOR SIDE)



ADD LASER MARK INFO EC NO: UCP2016-3973 DRAWN BY: DRW:NDV:VARA CHKD:TELO APPR:TELO REV: B4	2015/07/29 2016/02/22 2016/04/20	QUALITY SYMBOLS ▽=0 ▽=0 ▽=0	GENERAL TOLERANCES (UNLESS SPECIFIED) <table border="1"> <thead> <tr> <th></th> <th>mm</th> <th>INCH</th> </tr> </thead> <tbody> <tr> <td>4 PLACES</td> <td>±---</td> <td>±---</td> </tr> <tr> <td>3 PLACES</td> <td>±---</td> <td>±---</td> </tr> <tr> <td>2 PLACES</td> <td>±0.13</td> <td>±---</td> </tr> <tr> <td>1 PLACE</td> <td>±0.25</td> <td>±---</td> </tr> <tr> <td>0 PLACE</td> <td>±---</td> <td>±---</td> </tr> </tbody> </table>		mm	INCH	4 PLACES	±---	±---	3 PLACES	±---	±---	2 PLACES	±0.13	±---	1 PLACE	±0.25	±---	0 PLACE	±---	±---	DIMENSION STYLE MM ONLY	SCALE 5:1	DESIGN UNITS METRIC	THIRD ANGLE PROJECTION
		mm	INCH																						
	4 PLACES	±---	±---																						
	3 PLACES	±---	±---																						
2 PLACES	±0.13	±---																							
1 PLACE	±0.25	±---																							
0 PLACE	±---	±---																							
DRAWN BY: J.JONIAK DATE: 2009/06/05		CHECKED BY: JLAURX DATE: 2009/06/05		APPROVED BY: JLAURX DATE: 2010/02/09		TITLE IMPACT 2 PAIR RAM UNGUIDED SIGNAL MODULE SALES DRAWING																			
MATERIAL NO. SEE TABLE		DOCUMENT NO. SD-76450-001		SHEET NO. 1 OF 2		moLEX																			
THIS DRAWING CONTAINS INFORMATION THAT IS PROPRIETARY TO MOLEX INCORPORATED AND SHOULD NOT BE USED WITHOUT WRITTEN PERMISSION																									

