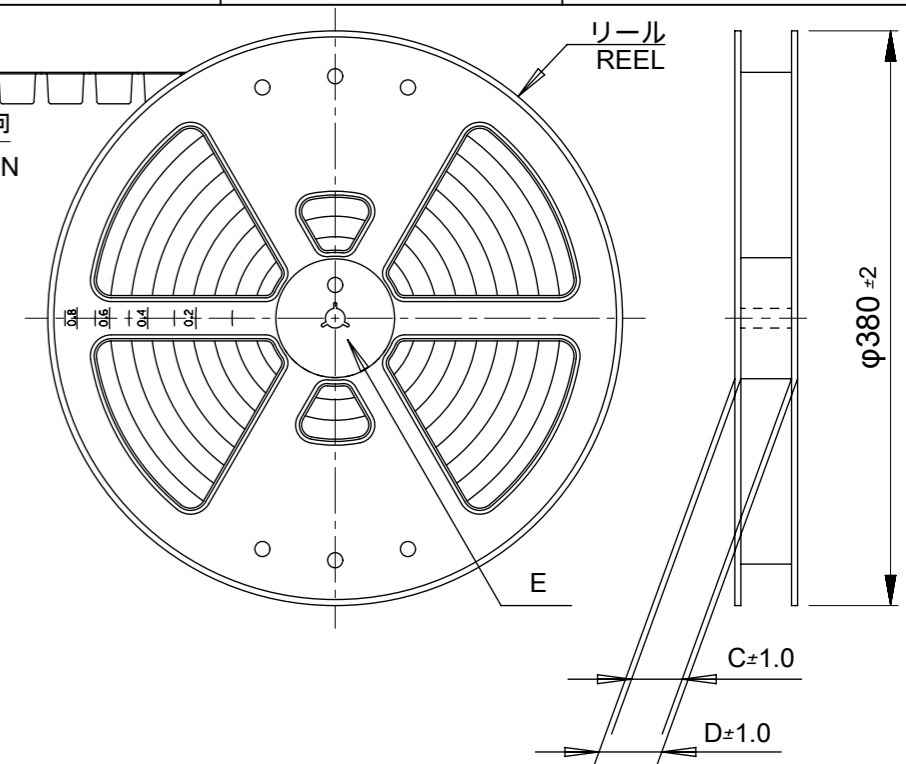
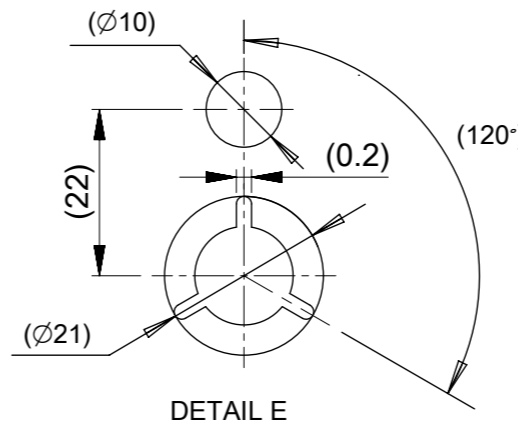
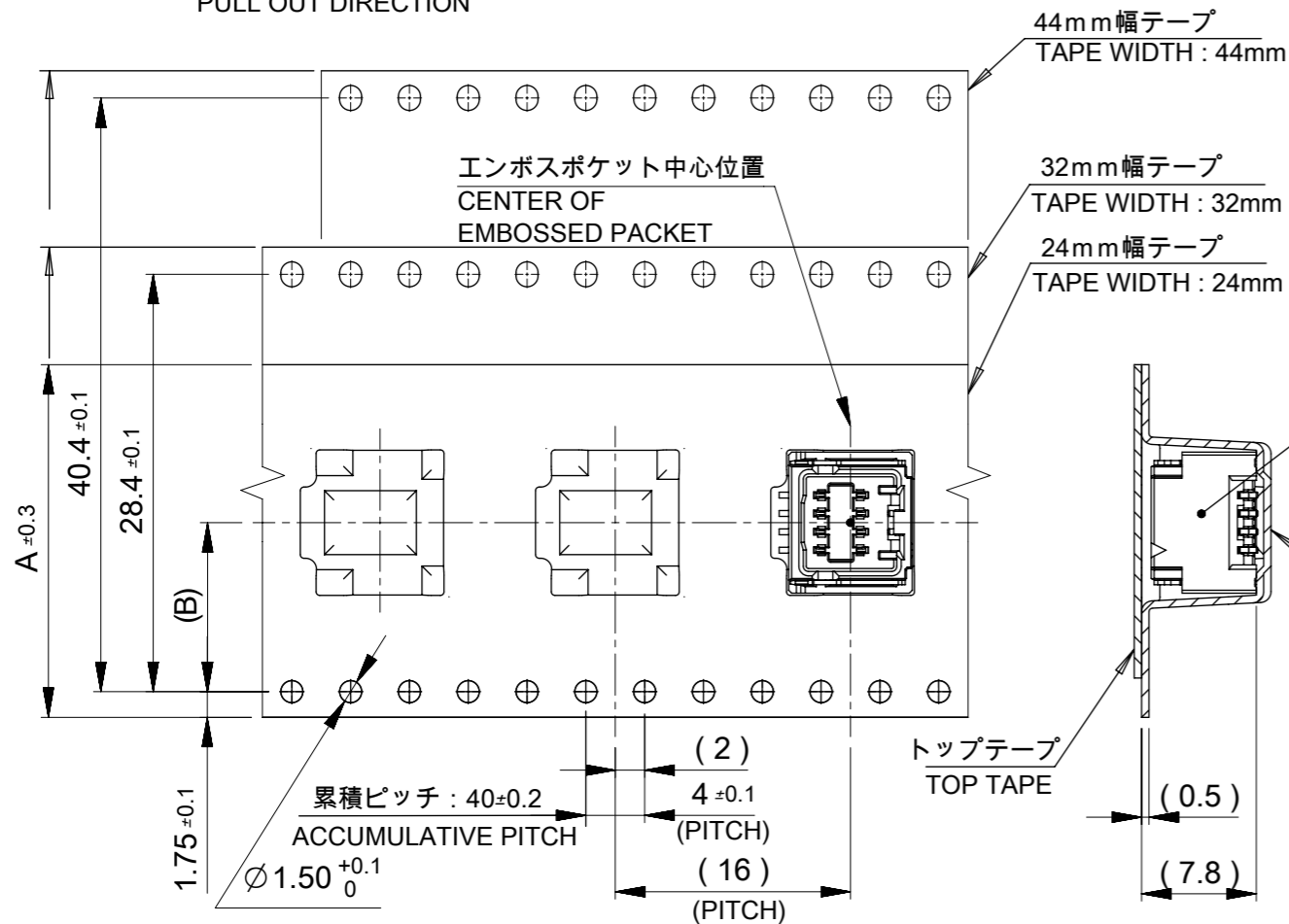
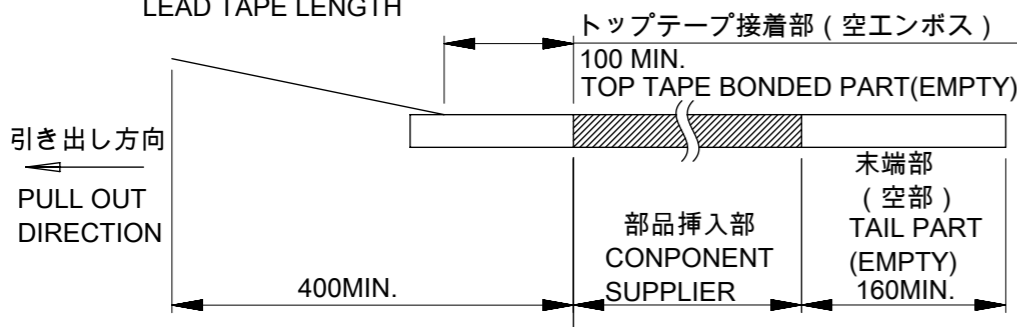


引き出し方向
PULL OUT DIRECTION



NOTES

- 製品番号505433**7*の詳細寸法は5054330002PSD000を参照ください。
FOR DETAIL OF 505433**7* DIMENSIONS, PLEASE SEE THE 5054330002PSD000 (NOT PACKAGED).
- 梱包数量 : 500個
NUMBER OF CONNECTORS : 500 PIECES/REEL.
- リードテープ長さ
LEAD TAPE LENGTH



- 材料 MATERIAL
キャリアテープ: ポリスチレン (PS)
CARRIER TAPE: POLYSTYRENE (PS)
トップテープ: ポリエステル (PET)、その他
TOP TAPE: POLYESTER (PET)、OTHER
リール: ポリスチレン (PS) <リサイクル材を含む>
REEL: POLYSTYRENE (PS) <RECYCLE MATERIAL CONTAINED>
- トップテープの剥離強度については、IEC60286-3に準拠
TOP TAPE PEEL FORCE IS DEFINED BY IEC60286-3.

				COLOR:GREEN	COLOR:BLUE	COLOR:RED	COLOR:BLACK	COLOR:NATURAL	
49.4	45.4	20.2	44	5054334276	5054334274	5054334272	5054334271	5054334270	42
49.4	45.4	20.2	44	5054334076	5054334074	5054334072	5054334071	5054334070	40
49.4	45.4	20.2	44	5054333876	5054333874	5054333872	5054333871	5054333870	38
49.4	45.4	20.2	44	5054333676	5054333674	5054333672	5054333671	5054333670	36
49.4	45.4	20.2	44	5054333476	5054333474	5054333472	5054333471	5054333470	34
49.4	45.4	20.2	44	5054333276	5054333274	5054333272	5054333271	5054333270	32
49.4	45.4	20.2	44	5054333076	5054333074	5054333072	5054333071	5054333070	30
49.4	45.4	20.2	44	5054332876	5054332874	5054332872	5054332871	5054332870	28
49.4	45.4	20.2	44	5054332676	5054332674	5054332672	5054332671	5054332670	26
37.4	33.4	14.2	32	5054332476	5054332474	5054332472	5054332471	5054332470	24
37.4	33.4	14.2	32	5054332276	5054332274	5054332272	5054332271	5054332270	22
37.4	33.4	14.2	32	5054332076	5054332074	5054332072	5054332071	5054332070	20
37.4	33.4	14.2	32	5054331876	5054331874	5054331872	5054331871	5054331870	18
37.4	33.4	14.2	32	5054331676	5054331674	5054331672	5054331671	5054331670	16
29.4	25.4	11.5	24	5054331476	5054331474	5054331472	5054331471	5054331470	14
29.4	25.4	11.5	24	5054331276	5054331274	5054331272	5054331271	5054331270	12
29.4	25.4	11.5	24	5054331076	5054331074	5054331072	5054331071	5054331070	10
29.4	25.4	11.5	24	5054330876	5054330874	5054330872	5054330871	5054330870	8
D	C	B	エンボステープ幅 WIDTH OF TAPE A	エンボス梱包 EMBOSSED TAPE PACKAGE オーダー番号 ORDER NO.	エンボス梱包 EMBOSSED TAPE PACKAGE オーダー番号 ORDER NO.	エンボス梱包 EMBOSSED TAPE PACKAGE オーダー番号 ORDER NO.	エンボス梱包 EMBOSSED TAPE PACKAGE オーダー番号 ORDER NO.	エンボス梱包 EMBOSSED TAPE PACKAGE オーダー番号 ORDER NO.	極数 CKT. NO

THIS DRAWING CONTAINS INFORMATION THAT IS PROPRIETARY TO MOLEX ELECTRONIC TECHNOLOGIES, LLC AND SHOULD NOT BE USED WITHOUT WRITTEN PERMISSION

RELEASED EC NO: 112331 DRWN: TAKAIKE CHK'D: KOMURAKAMI APPR: TKANEKO	GENERAL TOLERANCES (UNLESS SPECIFIED)		DIMENSION UNITS	SCALE	
	ANGULAR TOL ± 3.0 °		MM	NTS	
	4 PLACES ± 0.2	3 PLACES ± 0.2	DRWN BY	DATE	
	2 PLACES ± 0.2	1 PLACE ± 0.2	TAKAIKE	2017/02/08	
0 PLACES ± 0.2		CHK'D BY	DATE	MICRO-LOCK PLUS 1.25 W/B DUAL ROW ST SMT EMBOSSED TAPE PKG	
		KOMURAKAMI	2017/03/30	PRODUCT CUSTOMER DRAWING	
		APPR BY	DATE	SERIES	MATERIAL NUMBER
		TKANEKO	2017/04/03	505433	SEE TABLE
		DRAWING SIZE	THIRD ANGLE PROJECTION	CUSTOMER	GENERAL
		A3		DOCUMENT NUMBER	DOC TYPE
				5054330001	PSD
				DOC PART	SHEET NUMBER
				000	1 OF 1

NOTES

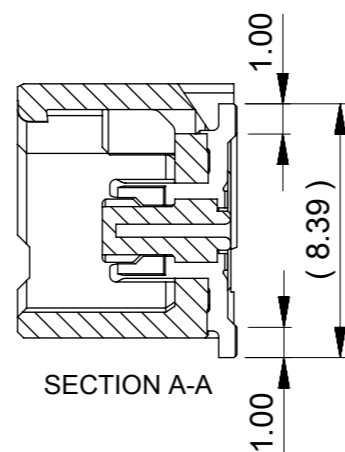
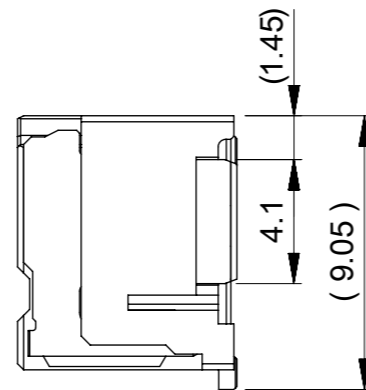
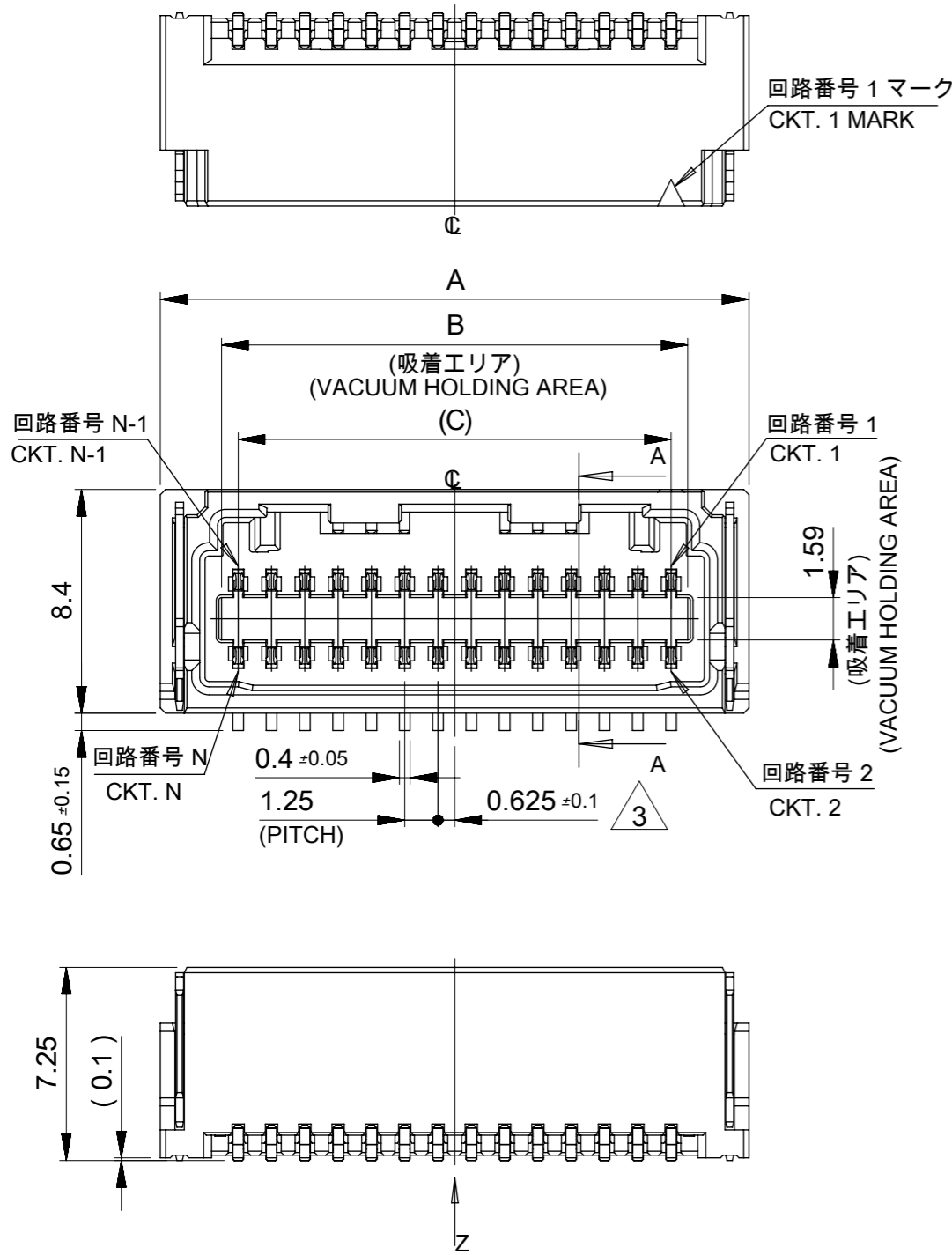
1. 嵌合相手 : 505432**0*
MATE WITH : 505432**0*
2. 端子テール部 及び ネイルの平坦度 : 0.12MAX.
TAIL AND NAIL COPLANARITY TO BE 0.12 MAX.
3. 極数 / 2 = 偶数に適用。
APPLY FOR CKT. SIZE / 2 = EVEN.
4. 端子テール部に錫めっきを使用しているため、
外観に摺動痕が付く場合が御座います。
THE WOUND OF FRICTION MIGHT ADHERE TO EXTERNALS
BECAUSE THE TIN PLATING IS USED FOR THE TAIL.
5. 本製品のプラスチック部に黒点等が確認される場合や
色合いが異なる場合がありますが、製品性能に影響はありません。
THERE IS NO INFLUENCE IN THE PRODUCT PERFORMANCE THOUGH
THE BLACK SPOT ETC. MIGHT BE CONFIRMED TO THE PLASTIC PART
OF THIS PRODUCT AND THE SHADE MIGHT BE DIFFERENT.

6. コネクタの詳細な取り扱いにつきましては、アプリケーション仕様書
(AS-505432-001, -002)を参照して下さい。
PLEASE REFER TO THE APPLICATION SPECIFICATION
(AS-505432-001, -002)
ABOUT THE DETAILED HANDLING OF THE CONNECTOR.
7. コネクタの仕様につきましては、
製品仕様書(5054320000PS002)を参照して下さい。
PLEASE REFER TO THE PRODUCT SPECIFICATION (5054320000PS002)
ABOUT THE SPECIFICATION OF THE CONNECTOR.
8. オーダー番号と極数、色の関係
RELATION ORDER NUMBER AND COLOR, CKT.

505433**7*
極数 色
CIRCUIT SIZE COLOR

NO.	COLOR
0	NATURAL
1	BLACK
2	RED
4	BLUE
6	GREEN

※本製品はカバーテープ無し品です。
カバーテープ有り品は5054331000PSD000を参照して下さい。
THIS PRODUCT DON'T HAVE THE COVER TAPE. PLEASE REFER TO
5054331000PSD000 FOR THE PRODUCT WITH COVER TAPE.



C	B	A	HSG COLOR	HSG COLOR	HSG COLOR	HSG COLOR	HSG COLOR	極数 CKT. NO	
			GREEN	BLUE	RED	BLACK	NATURAL		
25	26.25	30.85	5054334276	5054334274	5054334272	5054334271	5054334270	42	
23.75	25	29.6	5054334076	5054334074	5054334072	5054334071	5054334070	40	
22.5	23.75	28.35	5054333876	5054333874	5054333872	5054333871	5054333870	38	
21.25	22.5	27.1	5054333676	5054333674	5054333672	5054333671	5054333670	36	
20	21.25	25.85	5054333476	5054333474	5054333472	5054333471	5054333470	34	
18.75	20	24.6	5054333276	5054333274	5054333272	5054333271	5054333270	32	
17.5	18.75	23.35	5054333076	5054333074	5054333072	5054333071	5054333070	30	
16.25	17.5	22.1	5054332876	5054332874	5054332872	5054332871	5054332870	28	
15	16.25	20.85	5054332676	5054332674	5054332672	5054332671	5054332670	26	
13.75	15	19.6	5054332476	5054332474	5054332472	5054332471	5054332470	24	
12.5	13.75	18.35	5054332276	5054332274	5054332272	5054332271	5054332270	22	
11.25	12.5	17.1	5054332076	5054332074	5054332072	5054332071	5054332070	20	
10	11.25	15.85	5054331876	5054331874	5054331872	5054331871	5054331870	18	
8.75	10	14.6	5054331676	5054331674	5054331672	5054331671	5054331670	16	
7.5	8.75	13.35	5054331476	5054331474	5054331472	5054331471	5054331470	14	
6.25	7.5	12.1	5054331276	5054331274	5054331272	5054331271	5054331270	12	
5	6.25	10.85	5054331076	5054331074	5054331072	5054331071	5054331070	10	
3.75	5	9.6	5054330876	5054330874	5054330872	5054330871	5054330870	8	
			エンボス梱包 EMBOSSED TAPE PACKAGE	エンボス梱包 EMBOSSED TAPE PACKAGE	エンボス梱包 EMBOSSED TAPE PACKAGE	エンボス梱包 EMBOSSED TAPE PACKAGE	エンボス梱包 EMBOSSED TAPE PACKAGE	エンボス梱包 EMBOSSED TAPE PACKAGE	
			オーダー番号 ORDER NO.	オーダー番号 ORDER NO.	オーダー番号 ORDER NO.	オーダー番号 ORDER NO.	オーダー番号 ORDER NO.	オーダー番号 ORDER NO.	

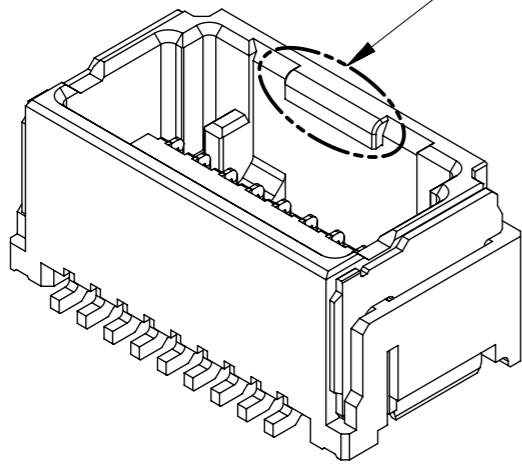
THIS DRAWING CONTAINS INFORMATION THAT IS PROPRIETARY TO MOLEX ELECTRONIC TECHNOLOGIES, LLC AND SHOULD NOT BE USED WITHOUT WRITTEN PERMISSION

PART	材質 MATERIAL
ハウジング HOUSING	ポリアミド(PA) UL94V-0 色 : 表参照 POLY AMIDE(PA) UL94V-0 COLOR : SEE CHART
ターミナル 及び ネイル TERM AND NAIL	黄銅 BRASS 錫ビスマスめっき : 1.0 micro-meter MIN. TIN-BISMUTH PLATED ニッケルめっき (下地) : 1.0 micro-meter MIN. NICKEL (UNDER PLATING)

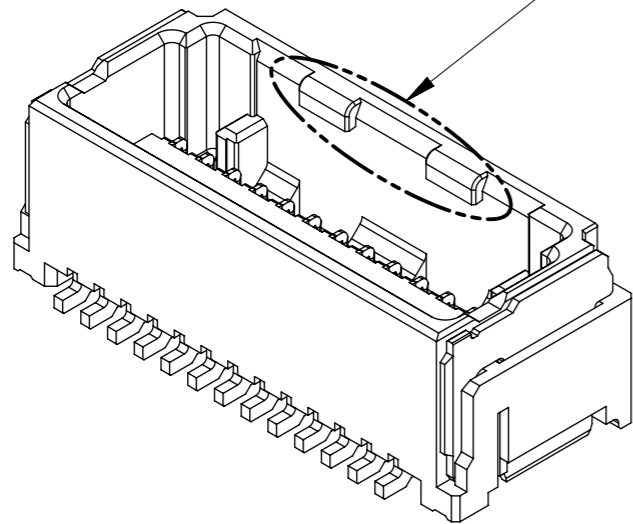
RELEASED EC NO: 112331 DRWN: TAKAIKE CHK'D: KOMURAKAMI REV APPR: TKANEKO	GENERAL TOLERANCES (UNLESS SPECIFIED)		DIMENSION UNITS	SCALE
	ANGULAR TOL ± 3.0 °		MM	4:1
	4 PLACES ± 0.2	3 PLACES ± 0.2	DRWN BY	DATE
	2 PLACES ± 0.2	1 PLACE ± 0.2	TAKAIKE	2017/02/10
0 PLACES ± 0.2	DRAFT WHERE APPLICABLE MUST REMAIN WITHIN DIMENSIONS	CHK'D BY	DATE	
		KOMURAKAMI	2017/03/30	
		APPR BY	DATE	
		TKANEKO	2017/04/03	
		DRAWING SIZE	THIRD ANGLE PROJECTION	
		A3		

molex®			
MICRO-LOCK PLUS 1.25 W/B DUAL ROW ST SMT PLUG ASSY			
PRODUCT CUSTOMER DRAWING			
SERIES	MATERIAL NUMBER	CUSTOMER	
505433	SEE TABLE	GENERAL	
DOCUMENT NUMBER	DOC TYPE	DOC PART	SHEET NUMBER
5054330002	PSD	000	1 OF 2

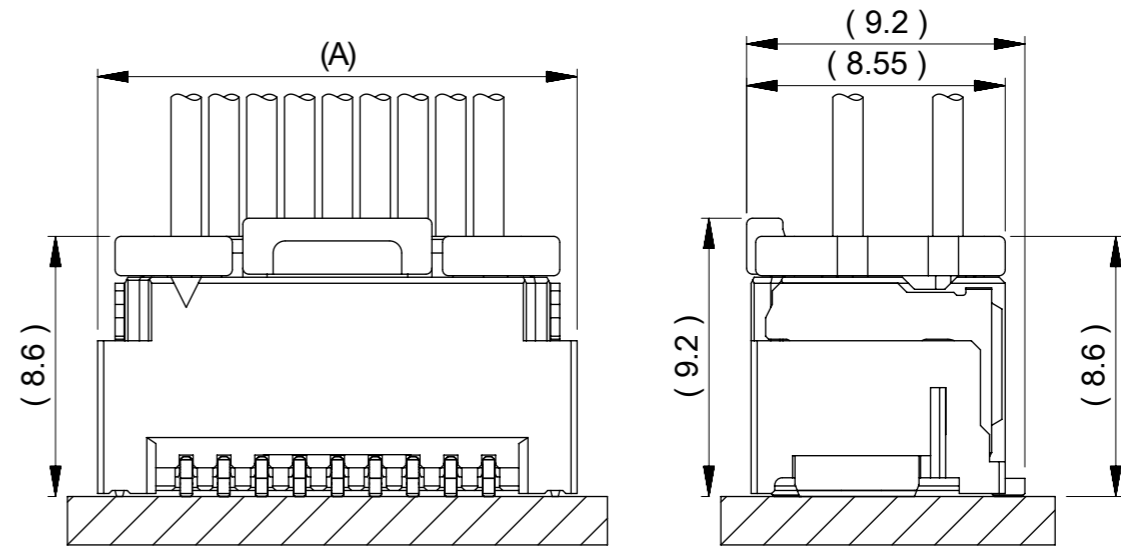
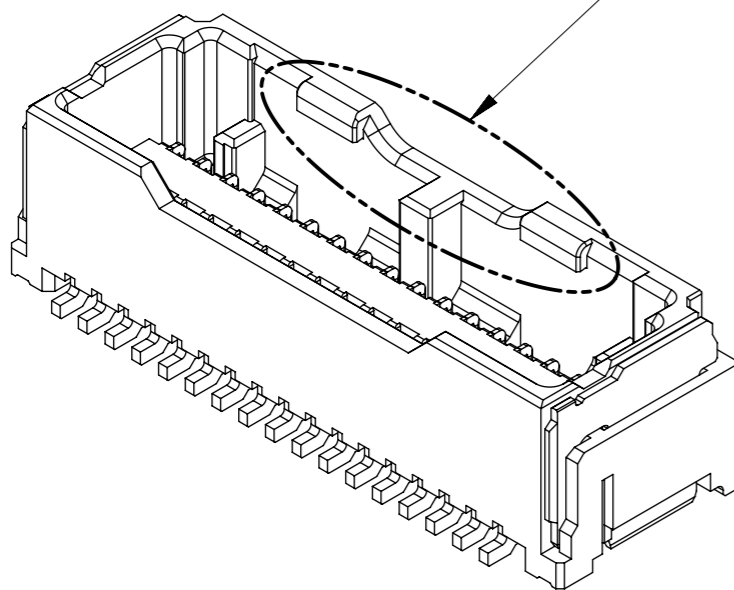
8-24 CKT. 係止形状
LOCK SHAPE OF 8-24 CKT.



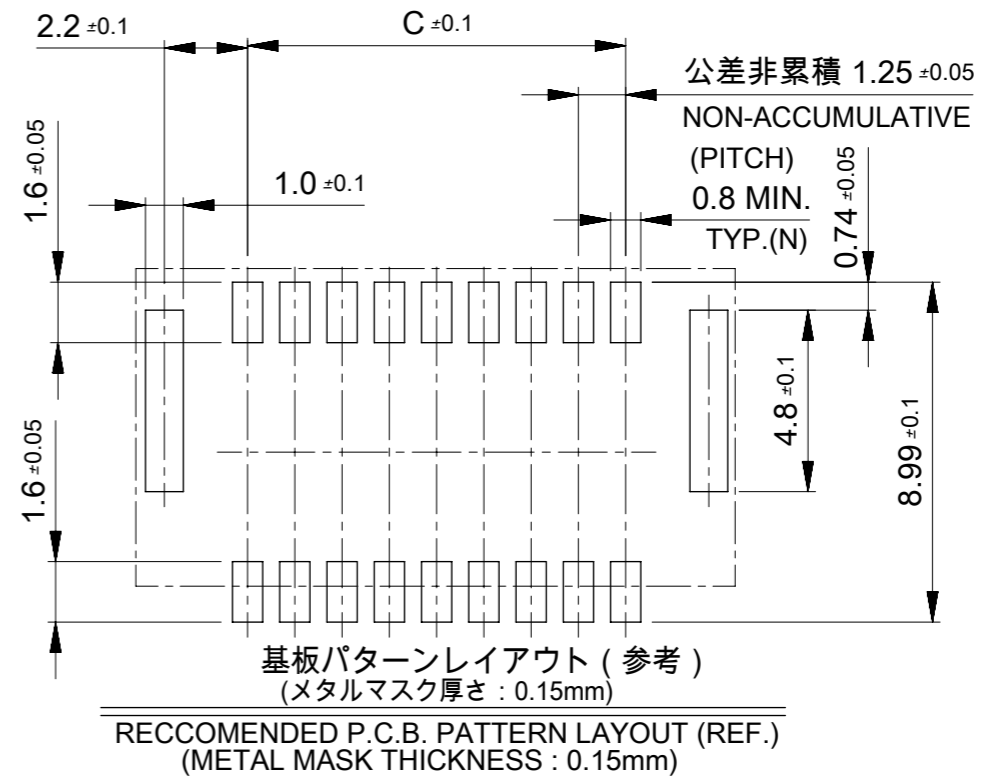
26-32 CKT. 係止形状
LOCK SHAPE OF 26-32 CKT.



34-42 CKT. 係止形状
LOCK SHAPE OF 34-42 CKT.



嵌合状態図
MATED CONNECTORS



THIS DRAWING CONTAINS INFORMATION THAT IS PROPRIETARY TO MOLEX ELECTRONIC TECHNOLOGIES, LLC AND SHOULD NOT BE USED WITHOUT WRITTEN PERMISSION										
RELEASED	EC NO: 112331	DRWN: TAKAIKE	CHK'D: KOMURAKAMI	APPR: TKANEKO	2017/02/10	2017/03/30	2017/04/03	GENERAL TOLERANCES (UNLESS SPECIFIED)	DIMENSION UNITS	SCALE
					4 PLACES	± 0.2			MM	4:1
					3 PLACES	± 0.2			DRWN BY	DATE
					2 PLACES	± 0.2			TAKAIKE	2017/02/10
					1 PLACE	± 0.2			CHK'D BY	DATE
				0 PLACES	± 0.2			KOMURAKAMI	2017/03/30	
				DRAFT WHERE APPLICABLE MUST REMAIN WITHIN DIMENSIONS				APPR BY	DATE	
								TKANEKO	2017/04/03	
								DRAWING SIZE	THIRD ANGLE PROJECTION	
								A3		
molex®										
MICRO-LOCK PLUS 1.25 W/B DUAL ROW ST SMT PLUG ASSY										
PRODUCT CUSTOMER DRAWING										
SERIES		MATERIAL NUMBER			CUSTOMER					
505433		SEE TABLE			GENERAL					
DOCUMENT NUMBER				DOC TYPE		DOC PART		SHEET NUMBER		
5054330002				PSD		000		2 OF 2		