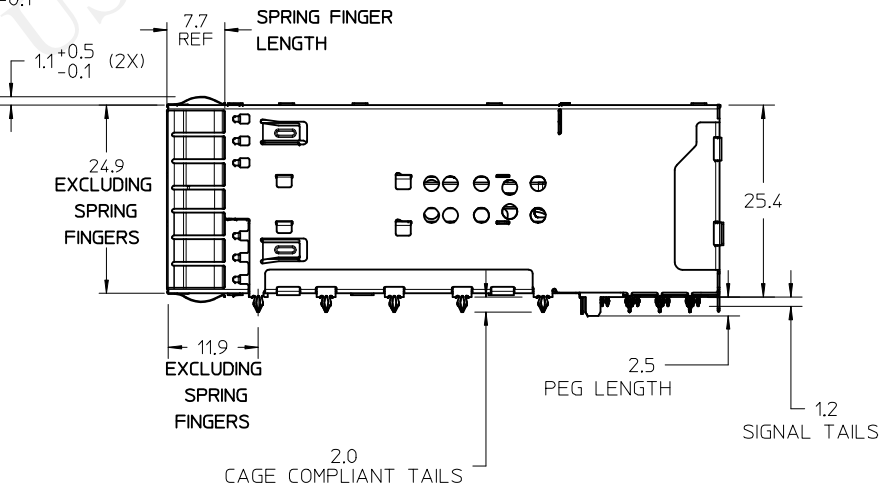


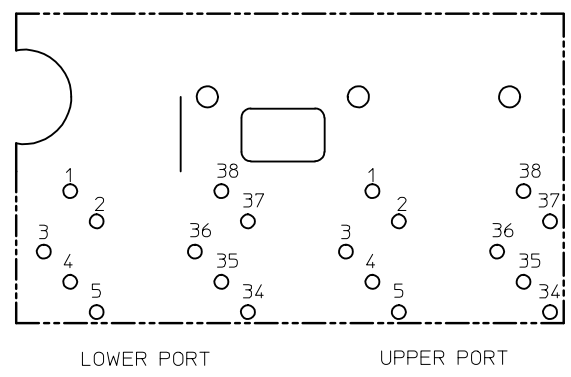
- NOTES:
- MATERIAL:
    - CAGE: NICKEL SILVER, 0.25 THICK
    - EMI STRAPS: PHOS-BRONZE, 0.10 THICK
    - LIGHT PIPES: POLYCARBONATE, 94V-0 (OPTIONAL)
    - CONNECTOR HOUSING: HIGH PERFORMANCE THERMOPLASTIC, 94V-0
    - TERMINALS: HIGH PERFORMANCE COPPER ALLOY, 0.18 THICK
  - FINISH:
    - SPRING FINGERS: 100µm NICKEL OVERALL
    - TERMINALS: CONTACT AREA: 0.76µm MIN GOLD OVER 2.5µm MIN NICKEL.
    - COMPLIANT AREA: 0.76-1.52µm MATTE TIN OVER 1.27µm MIN NICKEL.
  - ALL SURFACES TO BE CLASS 'C' OR BETTER PER MOLEX COSMETIC SPECIFICATION ES-171233-0001.
  - REFER TO PK-76871-9001 FOR ALL PACKAGING SPECIFICATIONS.
  - CONNECTOR INTENDED TO MATE WITH PLUG CABLE SERIES 74757 AND 74758.
  - DATE CODE LOCATION SHOWN, DATE CODE FORMAT: DDD Y  
DDD = DAY OF THE YEAR, Y = YEAR.



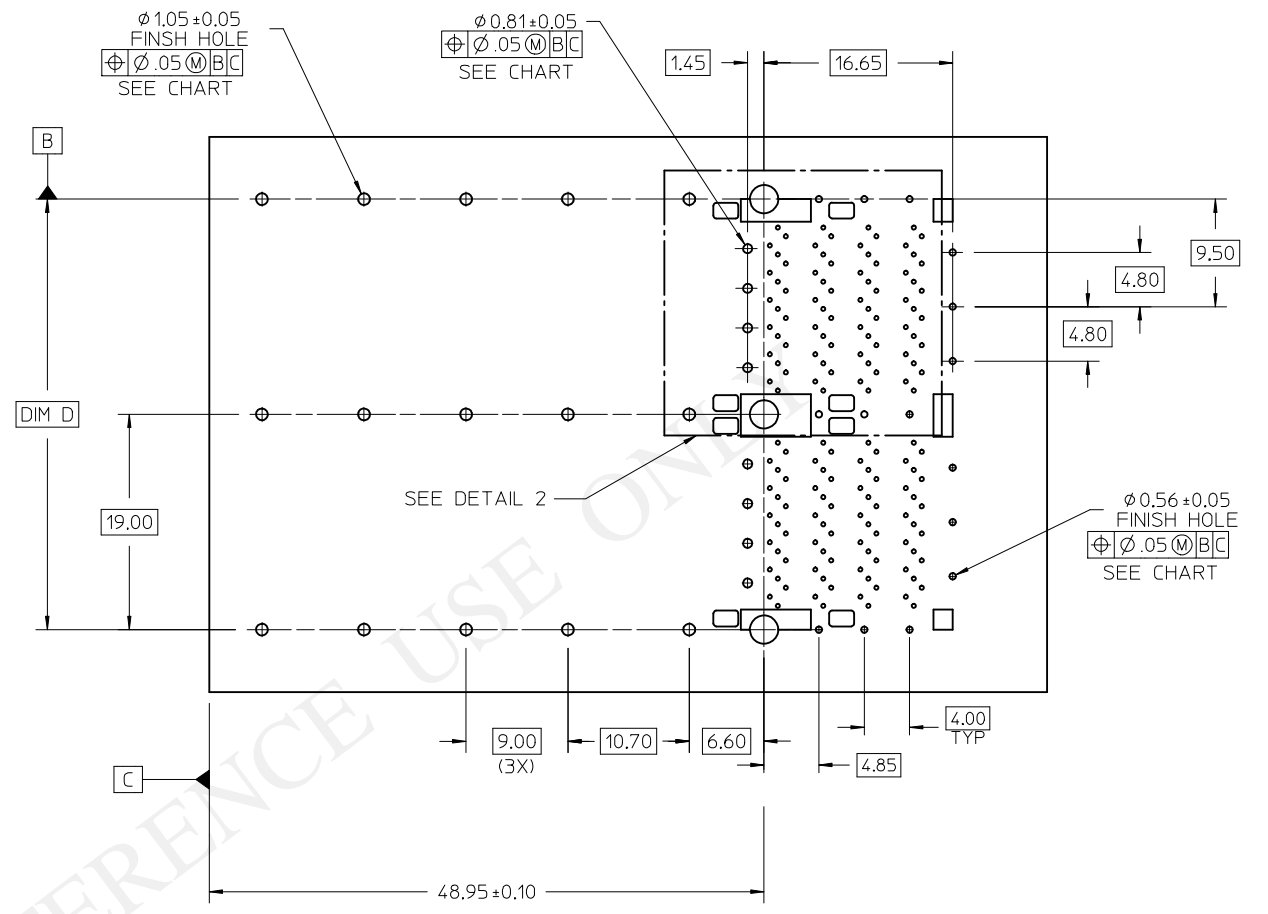
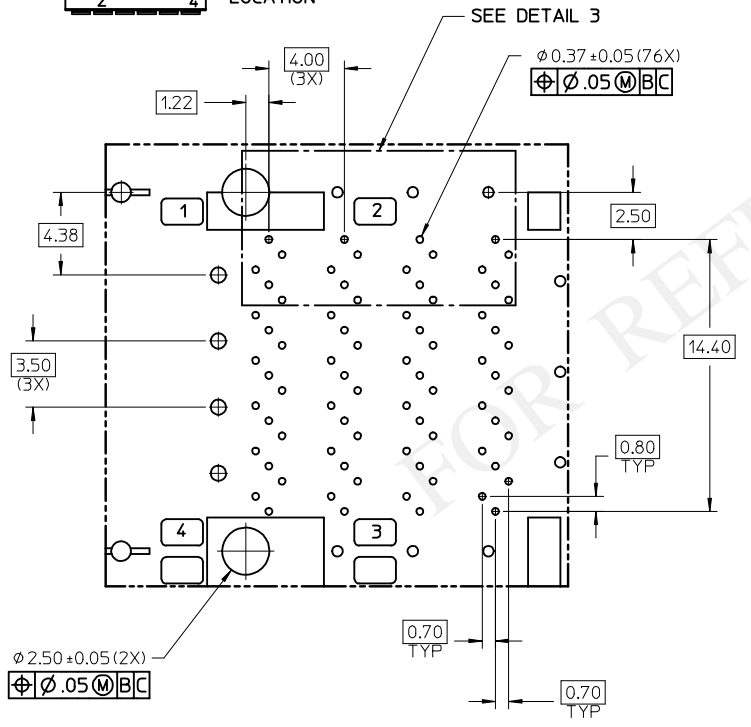
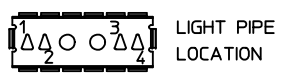
PORT SIZE	PART NUMBER	DIM A	DIM C
2X1	171722-6001	19.3	19.0
2X2	171722-6002	38.3	38.0
2X3	171722-6003	57.3	57.0

ADD'D SPRING FINGER HEIGHT EC NO: UCP2016-1484 DRWN:HAVERY 2015/10/06 CHKD: APPR:HAVERY 2015/10/06 REV 7	QUALITY SYMBOLS	GENERAL TOLERANCES (UNLESS SPECIFIED)	DIMENSION STYLE MM ONLY	SCALE 2:1	DESIGN UNITS METRIC	THIRD ANGLE PROJECTION
	▽=0	4 PLACES ± --- ± ---	DRAWN BY DATE HAVERY 2014/11/24	ZQSFP 4 INTERNAL LIGHT PIPES WITH EMI SPRING FINGERS <b>molex</b>		
	▽=0	3 PLACES ± --- ± ---	CHECKED BY DATE			
	▽=0	2 PLACES ± 0.13 ± ---	APPROVED BY DATE HAVERY 2014/11/24	MATERIAL NO. SEE CHART	DOCUMENT NO. SD-171722-6000	SHEET NO. 1 OF 3
		1 PLACE ± 0.25 ± ---	DRAFT WHERE APPLICABLE MUST REMAIN WITHIN DIMENSIONS			
		0 PLACE ± --- ± ---	THIS DRAWING CONTAINS INFORMATION THAT IS PROPRIETARY TO MOLEX INCORPORATED AND SHOULD NOT BE USED WITHOUT WRITTEN PERMISSION			

FOR REFERENCE USE

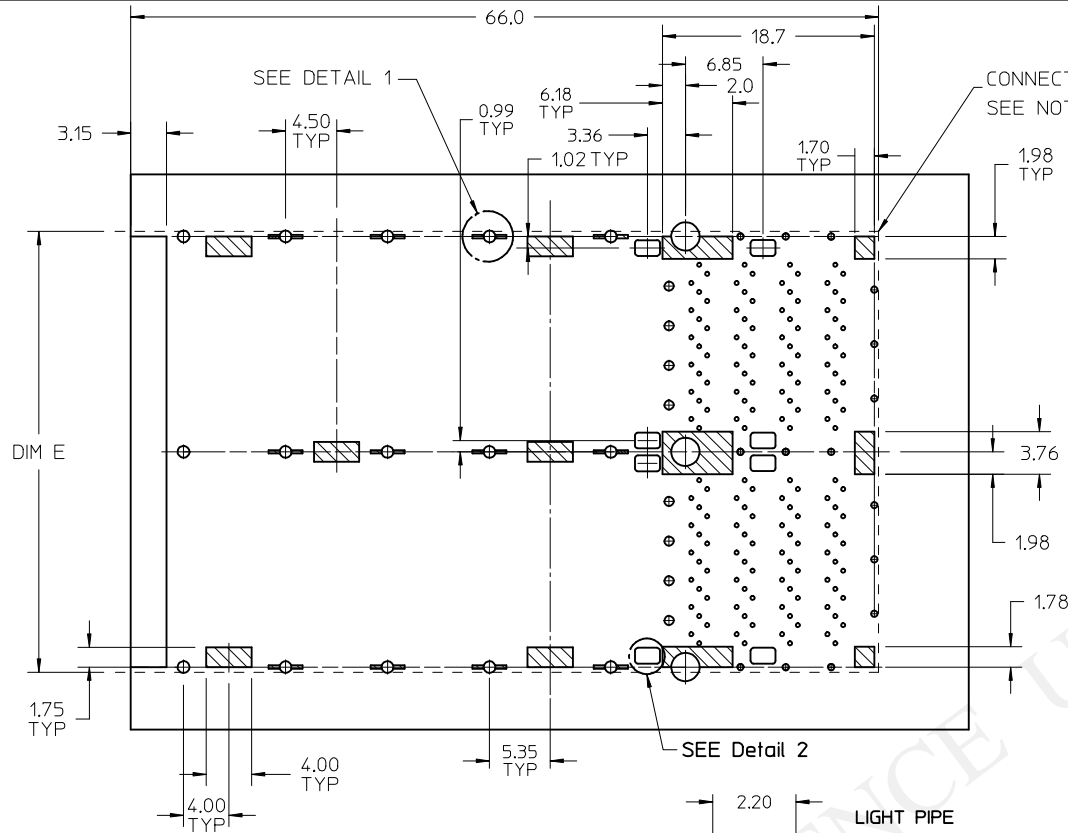


DETAIL 3  
PIN ASSIGNMENTS

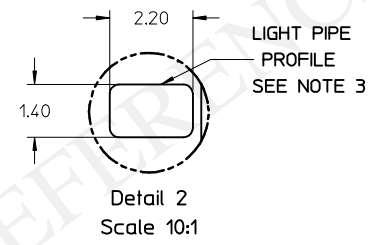
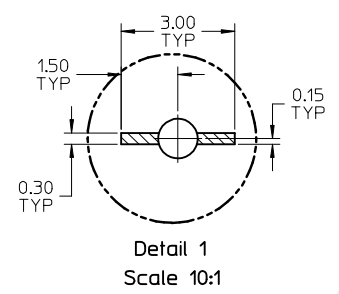
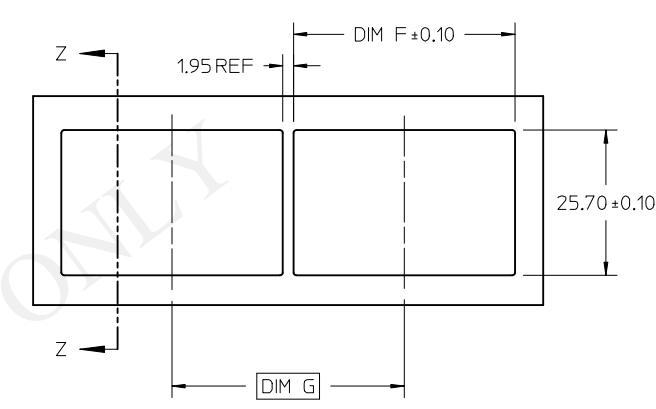


PORT SIZE	DIM D	$\phi 1.05$	$\phi 0.56$	$\phi 0.81$
2X1	19.00	10	9	4
2X2	38.00	15	15	8
2X3	57.00	20	21	12

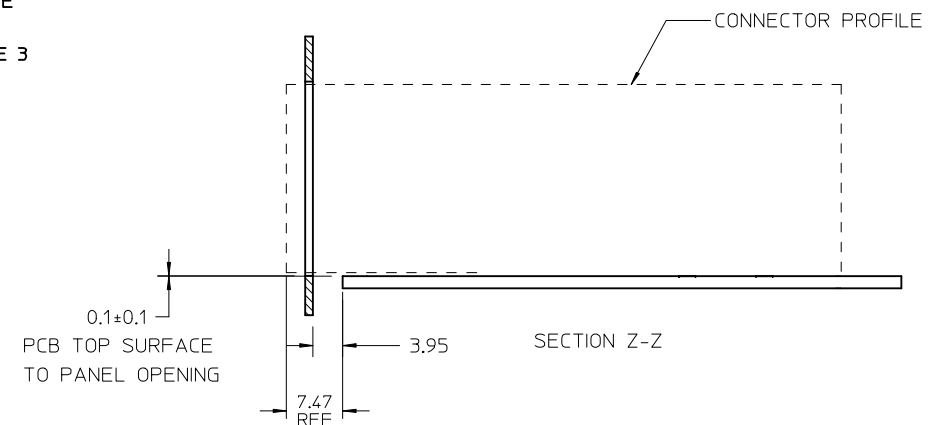
<b>SEE SHEET 1</b> EC NO: UCP2016-1484 DRWN: HAVERY 2015/10/06 CHKD: HAVERY APPR: HAVERY 2015/10/06 REV 7	QUALITY SYMBOLS	GENERAL TOLERANCES (UNLESS SPECIFIED)	DIMENSION STYLE <b>MM ONLY</b>	SCALE <b>2:1</b>	DESIGN UNITS <b>METRIC</b>	THIRD ANGLE PROJECTION	
	$\nabla = 0$	$\pm$ mm	mm INCH	DRAWN BY HAVERY	DATE 2014/11/24	TITLE <b>ZQSFP 4 INTERNAL LIGHT PIPES WITH EMI SPRING FINGERS</b>	
	$\nabla = 0$	$\pm 0.13$	$\pm$ INCH	CHECKED BY	DATE	<b>molex</b> DOCUMENT NO. SD-171722-6000 SHEET NO. 2 OF 3	
	$\nabla = 0$	$\pm 0.25$	$\pm$ INCH	APPROVED BY HAVERY	DATE 2014/11/24		
	0 PLACE	$\pm$ INCH	$\pm$ INCH	MATERIAL NO.	DATE		
		ANGULAR $\pm 1/2^\circ$	DRAFT WHERE APPLICABLE MUST REMAIN WITHIN DIMENSIONS	SIZE C	THIS DRAWING CONTAINS INFORMATION THAT IS PROPRIETARY TO MOLEX INCORPORATED AND SHOULD NOT BE USED WITHOUT WRITTEN PERMISSION		



PANEL OPENING AND CONNECTOR SPACING RECOMMENDATIONS



PORT SIZE	DIM E	DIM F	DIM G
2X1	19.1	20.05	22.00
2X2	38.9	39.05	41.00
2X3	57.9	58.05	60.00



- NOTES:
- THE ENTIRE AREA UNDER THE CONNECTOR IS A COMPONENT KEEP-OUT ZONE.
  - CROSS HATCHED AREAS INDICATE PLACES WHERE THE PLASTIC HOUSING AND METAL CAGE MAY BE IN CONTACT WITH THE PCB SURFACE. THESE AREAS ARE THE TRACE KEEP-OUT ZONES.
  - THESE RECTANGULAR ZONES REPRESENT THE OUTLINES OF THE LIGHT PIPES. THE LENSES OF THE LED SHOULD BE KEPT INSIDE THIS ZONE AND CENTERED FOR BEST PERFORMANCE. THE HEIGHT OF THE LED NOT TO EXCEED 0.8mm.
  - RECOMMENDED LED CHIP PACKAGE SIZE IS 0805.

SEE SHEET 1 EC NO: UCP2016-1484 DRWN:HIVERY 2015/10/06 CHKD: APPR:HIVERY 2015/10/06 REV 7	QUALITY SYMBOLS	GENERAL TOLERANCES (UNLESS SPECIFIED)	DIMENSION STYLE <b>MM ONLY</b>	SCALE <b>2:1</b>	DESIGN UNITS <b>METRIC</b>	THIRD ANGLE PROJECTION
	▽=0	mm INCH	DRAWN BY DATE HIVERY 2014/11/24	TITLE <b>ZQSFP 4 INTERNAL LIGHT PIPES WITH EMI SPRING FINGERS</b>		SHEET NO. <b>3 OF 3</b>
	▽=0	4 PLACES ± --- ± --- 3 PLACES ± --- ± --- 2 PLACES ±0.13 ± --- 1 PLACE ±0.25 ± --- 0 PLACE ± --- ± ---	CHECKED BY DATE	APPROVED BY DATE HIVERY 2014/11/24		
	▽=0	ANGULAR ±1/2°	MATERIAL NO.	DOCUMENT NO. <b>SD-171722-6000</b>	THIS DRAWING CONTAINS INFORMATION THAT IS PROPRIETARY TO MOLEX INCORPORATED AND SHOULD NOT BE USED WITHOUT WRITTEN PERMISSION	